

Active loads in amplifier circuits

This worksheet and all related files are licensed under the Creative Commons Attribution License, version 1.0. To view a copy of this license, visit <http://creativecommons.org/licenses/by/1.0/>, or send a letter to Creative Commons, 559 Nathan Abbott Way, Stanford, California 94305, USA. The terms and conditions of this license allow for free copying, distribution, and/or modification of all licensed works by the general public.

Resources and methods for learning about these subjects (list a few here, in preparation for your research):

Questions

Question 1

We know that the current in a series circuit may be calculated with this formula:

$$I = \frac{E_{total}}{R_{total}}$$

We also know that the voltage dropped across any single resistor in a series circuit may be calculated with this formula:

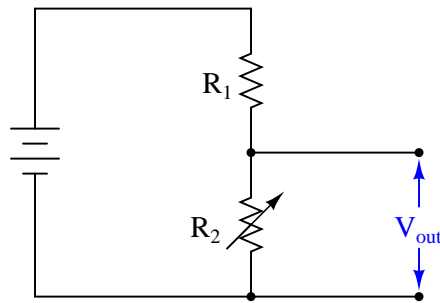
$$E_R = IR$$

Combine these two formulae into one, in such a way that the I variable is eliminated, leaving only E_R expressed in terms of E_{total} , R_{total} , and R .

file 00360

Question 2

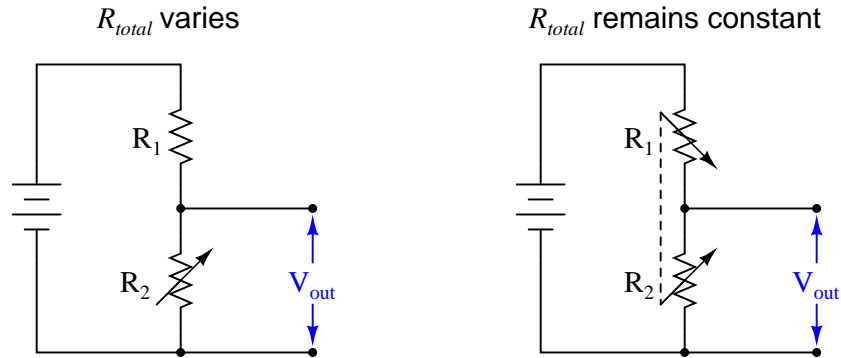
Determine what will happen to the output voltage (V_{out}) and resistor R_1 's current (I_{R_1}) in this circuit as the resistance of R_2 is *increased*:



file 02654

Question 3

Suppose we were to compare the performance of two voltage divider circuits side-by-side. The circuit on the left has one variable resistor (R_2), while the circuit on the right has two variable resistors (R_1 and R_2). The right-hand circuit's resistors are ganged together in such a way that as one resistance increases, the other will decrease by the same amount, keeping the circuit's total resistance constant:



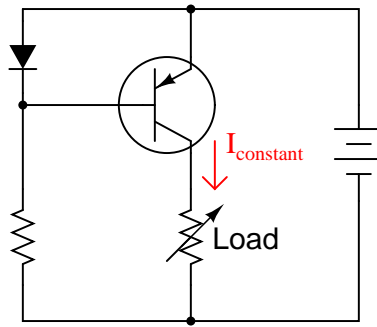
Knowing that the voltage output by a voltage divider is described by the following formula, determine which voltage divider circuit yields the greatest change in output voltage for a given change in R_2 's resistance.

$$V_{out} = V_{battery} \left(\frac{R_2}{R_1 + R_2} \right)$$

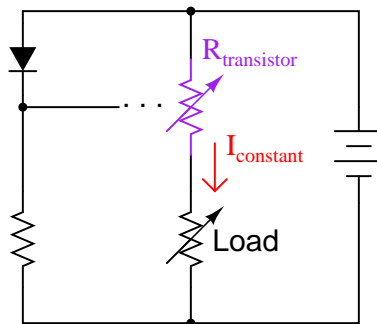
file 02655

Question 4

The purpose of a *current mirror* circuit is to maintain constant current through a load despite changes in that load's resistance:



If we were to crudely model the transistor's behavior as an automatically-varied rheostat – constantly adjusting resistance as necessary to keep load current constant – how would you describe this rheostat's response to changes in load resistance?

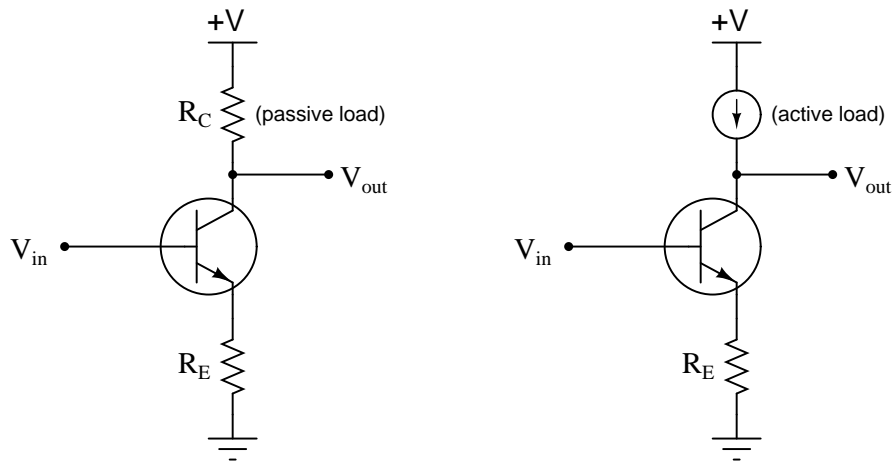


In other words, as R_{load} increases, what does $R_{transistor}$ do – increase resistance, decrease resistance, or remain the same resistance it was before? How does the changing value of $R_{transistor}$ affect total circuit resistance?

[file 02656](#)

Question 5

An interesting technique to achieve extremely high voltage gain from a single-stage transistor amplifier is to substitute an *active load* for the customary load resistor (located at the collector terminal):



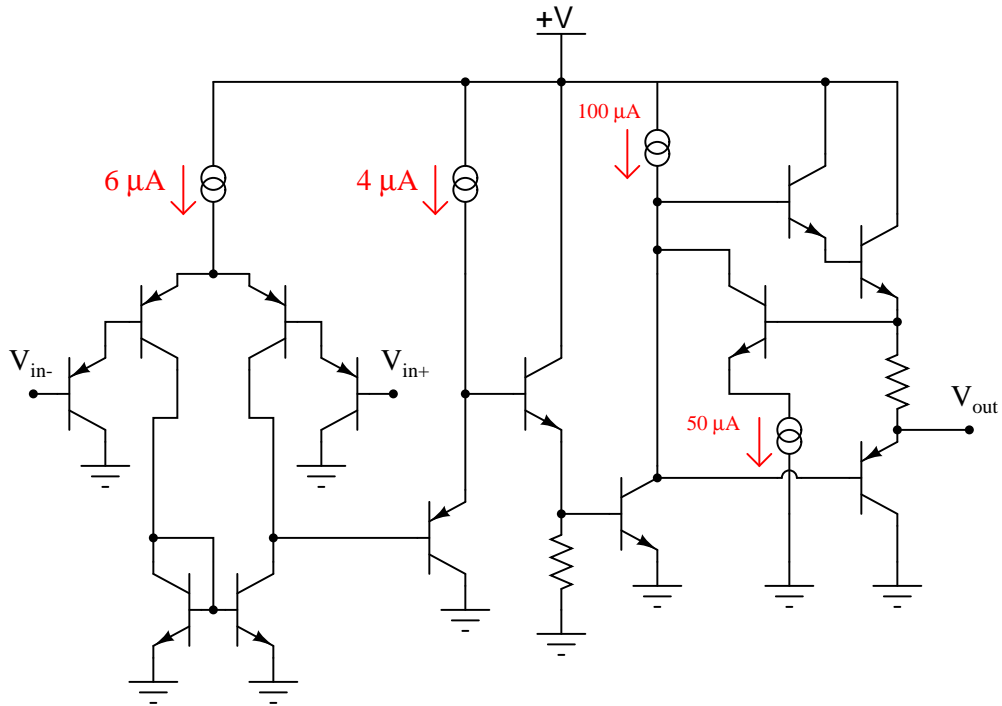
Usually, this "active load" takes the form of a current mirror circuit, behaving as a current *regulator* rather than as a true current *source*.

Explain why the presence of an active load results in significantly more voltage gain than a plain (passive) resistor. If the active load were a *perfect* current regulator, holding collector current absolutely constant despite any change in collector-base conductivity for the main amplifying transistor, what would the voltage gain be?

file 02657

Question 6

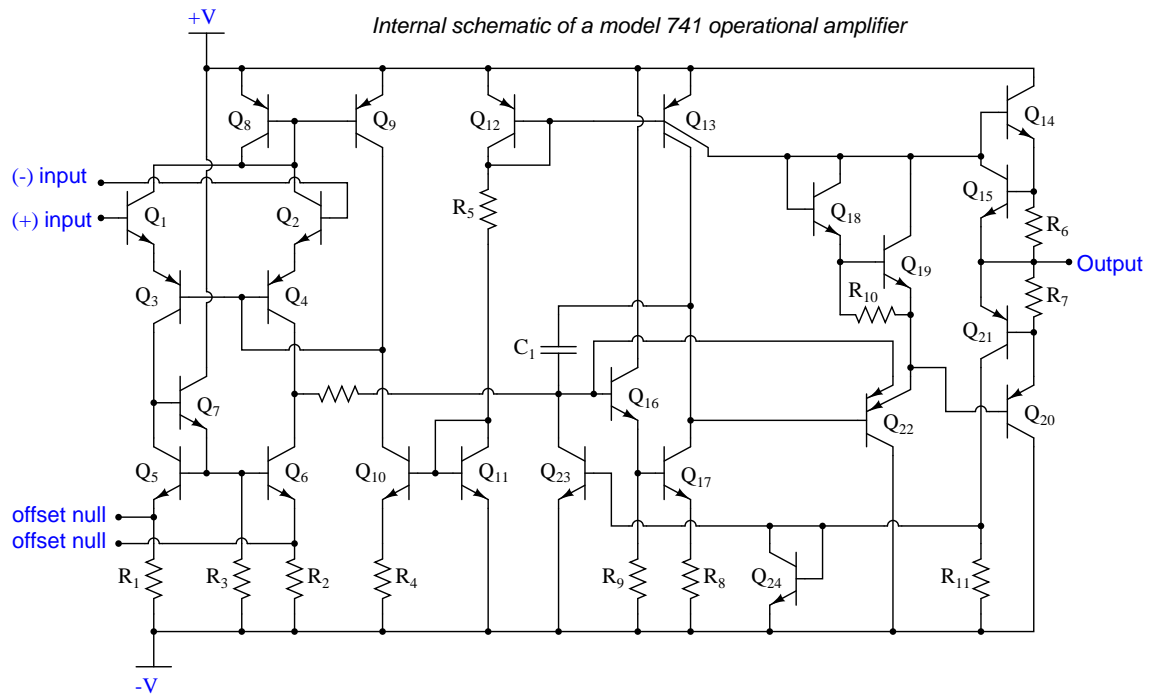
Identify as many active loads as you can in the following (simplified) schematic of an LM324 operational amplifier circuit:



file 02658

Question 7

Identify as many active loads as you can in the following schematic of an LM741 operational amplifier circuit, along with their respective (amplifying) transistors:



file 02659

Answers

Answer 1

$$E_R = E_{total} \left(\frac{R}{R_{total}} \right)$$

Follow-up question: algebraically manipulate this equation to solve for E_{total} in terms of all the other variables. In other words, show how you could calculate for the amount of total voltage necessary to produce a specified voltage drop (E_R) across a specified resistor (R), given the total circuit resistance (R_{total}).

Answer 2

As R_2 increases in resistance, V_{out} increases and I_{R_1} decreases.

Answer 3

The voltage divider with the ganged rheostats will yield the greatest change in output voltage for a given change in R_2 's resistance, because only the numerator of the fraction in the voltage divider formula changes with R_2 , not the denominator as well.

Follow-up question #1: what happens to the amount of current in each circuit for a given change in R_2 resistance? Explain why.

Follow-up question #2: explain how a potentiometer performs the exact function as the second circuit with the two (complementarily) ganged rheostats.

Answer 4

As R_{load} increases, $R_{transistor}$ will decrease in resistance so as to maintain a constant current through the load and a constant R_{total} .

Answer 5

If the active load were a perfect current regulator, the voltage gain of this single-stage amplifier circuit would be infinite (∞), because the Thévenin equivalent resistance for a current source is infinite ohms.

Answer 6

Of course, all the current sources are active loads, but there is one more at the lower-left corner of the schematic. I'll let you figure out where it is!

Answer 7

- Q_6 is an active load for Q_4
- Q_{23} is an active load for Q_4
- Q_{13} is an active load for Q_{17} and Q_{22}

Notes 1

Though this "voltage divider formula" may be found in any number of electronics reference books, your students need to understand how to algebraically manipulate the given formulae to arrive at this one.

Notes 2

Nothing special here – just a qualitative analysis of a very simple voltage divider circuit.

Notes 3

Understanding the mathematical basis for the answer may be a significant leap for some students. If they experience trouble understanding how the voltage divider formula proves the answer, have them try a "thought experiment" with really simple numbers:

- Initial conditions:

$$R_1 = 1 \Omega$$

$$R_2 = 1 \Omega$$

$$V_{battery} = 1 \text{ volt}$$

Now, increase R_2 from 1Ω to 2Ω and see which voltage divider circuit has experienced the greatest change in output voltage. Once these example quantities are placed into the respective formulae, it should become easy to see how the voltage divider formula explains the larger voltage swing of the second divider circuit.

Point out to your students that this is an example of practical problem-solving: performing a "thought experiment" with really simple quantities to numerically explore how two different systems react to change. Although there is nothing particularly difficult about this technique, many students avoid it because they think there must be some easier way (a ready-made explanation, as opposed to a thought experiment of their own) to understand the concept. Getting students over this attitude barrier is a difficult yet crucial step in them developing self-teaching ability.

Notes 4

This model of current mirror transistor behavior, albeit crude, serves as a good introduction to the subject of *active loads* in transistor amplifier circuits. This is where a transistor is configured to operate as a constant-current regulator, then placed in series with an amplifying transistor to yield much greater voltage gains than what is possible with a passive (fixed resistor) load.

Notes 5

There is more than one way to comprehend this effect, and why it works as it does. One of the more sophisticated ways is to consider what the internal resistance of a perfect current source is: infinite. Ask your students how they contemplated this effect, and what means they employed to grasp the concept.

Notes 6

Even if students do not yet know what an "operational amplifier" circuit is, they should still be able to identify transistor stages, configurations, and active loads. In this case, most of the active loads are obvious (as revealed by the current source symbols).

Don't be surprised if some of your students point out that the differential pair in this opamp circuit looks "upside-down" compared to what they've seen before for differential pair circuits. Let them know that this is not really an issue, and that the differential pair works the same in this configuration.

Notes 7

Even if students do not yet know what an "operational amplifier" circuit is, they should still be able to identify transistor stages, configurations, and active loads.