

Capacitors

This worksheet and all related files are licensed under the Creative Commons Attribution License, version 1.0. To view a copy of this license, visit <http://creativecommons.org/licenses/by/1.0/>, or send a letter to Creative Commons, 559 Nathan Abbott Way, Stanford, California 94305, USA. The terms and conditions of this license allow for free copying, distribution, and/or modification of all licensed works by the general public.

Resources and methods for learning about these subjects (list a few here, in preparation for your research):

Questions

Question 1

Identify some of the different types of capacitors, and their characteristics.

[file 00197](#)

Question 2

How are *electrolytic* capacitors constructed, and what is particularly noteworthy about their use?

[file 00196](#)

Question 3

A capacitor has a label on it saying, "100 WVDC". What does this label mean? What is the consequence of exceeding this rating?

[file 00199](#)

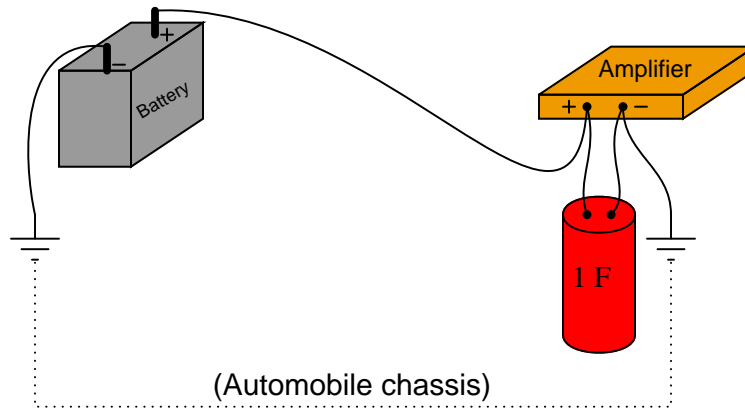
Question 4

Capacitors may pose an electric shock hazard, even in unpowered circuits. Explain why.

[file 00202](#)

Question 5

Very large capacitors (typically in excess of 1 Farad!) are often used in the DC power wiring of high-power audio amplifier systems installed in automobiles. The capacitors are connected in parallel with the amplifier's DC power terminals, as close to the amplifier as possible, like this:



What is the purpose of having a capacitor connected in parallel with the amplifier's power terminals? What benefit does this give to the audio system, overall?

[file 00206](#)

Question 6

A $10\ \mu\text{F}$ capacitor is charged to a voltage of 20 volts. How many coulombs of electric charge are stored in this capacitor?

[file 00187](#)

Question 7

A $470 \mu\text{F}$ capacitor is subjected to an applied voltage that changes at a rate of 200 volts per second. How much current will there be "through" this capacitor?

Explain why I placed quotation marks around the word "through" in the previous sentence. Why can't this word be used in its fullest sense when describing electric current in a capacitor circuit?

[file 00194](#)

Question 8

Two $470 \mu\text{F}$ capacitors connected in series are subjected to a total applied voltage that changes at a rate of 200 volts per second. How much current will there be "through" these capacitors? Hint: the total voltage is divided evenly between the two capacitors.

Now suppose that two $470 \mu\text{F}$ capacitors connected in parallel are subjected to the same total applied voltage (changing at a rate of 200 volts per second). How much total current will there be "through" these capacitors?

[file 00201](#)

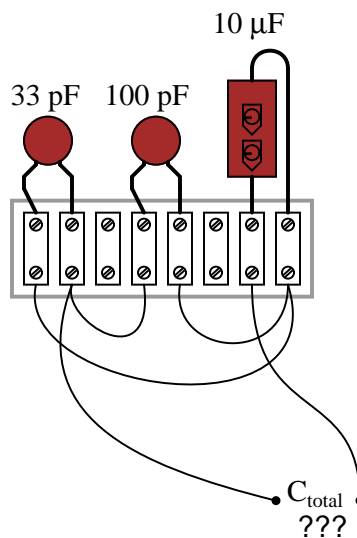
Question 9

Suppose two $33 \mu\text{F}$ capacitors are connected in series with each other. What will their combined capacitance be, in Farads? Explain your answer.

[file 00198](#)

Question 10

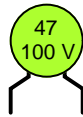
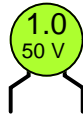
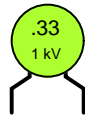
Calculate the total capacitance in this collection of capacitors, as measured between the two wires:



[file 00205](#)

Question 11

Identify the following capacitor values and styles:



[file 00441](#)

Question 12

When checked with an ohmmeter, how should a properly functioning capacitor respond?

[file 00438](#)

Question 13

Find one or two real capacitors and bring them with you to class for discussion. Identify as much information as you can about your capacitors prior to discussion:

- Capacitance (ideal)
- Capacitance (actual)
- Voltage rating
- Type (mica, mylar, electrolytic, etc.)

[file 01151](#)

Question 14

An important parameter in capacitor performance is *ESR*. Define ESR, and explain what causes it.

[file 01539](#)

Question 15

Capacitors often have letter codes following the three-digit number codes. For example, here are some typical capacitor codes, complete with letters:

- 473K
- 102J
- 224M
- 331F

Determine the meaning of letters used on capacitor labels, what the respective numeric values are for all the available letters, and then finally what these four specific number/letter codes mean (shown above).

[file 03651](#)

Answers

Answer 1

Mica, electrolytic, mylar, paper, air, and ceramic are some of the more popular styles.

Answer 2

"Electrolytic" capacitors use a very thin layer of metal oxide as the dielectric. The manufacturing process involves applying a DC voltage to the new capacitor to create the oxide layer. This "polarizes" it for life, preventing its use with reverse polarity.

Follow-up question: identify the schematic symbol for any type of polarized capacitor, electrolytics included.

Answer 3

The capacitor's *working voltage* is 100 volts DC. Failure of the dielectric material will result from exceeding this voltage rating. In electrolytic capacitors especially, the failure can be violent!

Answer 4

Capacitors have the ability to store dangerous voltage and charge levels even when external energy sources have been disconnected.

Answer 5

The capacitor minimizes voltage transients seen at the amplifier's power terminals due to voltage drops along the power cables (from the battery) during transient current pulses, such as those encountered when amplifying heavy bass "beats" at high volume.

Incidentally, this same technique is used in computer circuitry to stabilize the power supply voltage powering digital logic circuits, which draw current from the supply in rapid "surges" as they switch between their "on" and "off" states. In this application, the capacitors are known as *decoupling* capacitors.

Answer 6

200 μC of charge.

Answer 7

This capacitor will have a constant current of 94 milliamps (mA) going "through" it. The word "through" is placed in quotation marks because capacitors have no continuity.

Answer 8

Series connection: 47 milliamps (mA) total. Parallel connection: 188 milliamps (mA) total.

Follow-up question: what do these figures indicate about the nature of series-connected and parallel connected capacitors? In other words, what single capacitor value is equivalent to two series-connected 470 μF capacitors, and what single capacitor value is equivalent to two parallel-connected 470 μF capacitors?

Answer 9

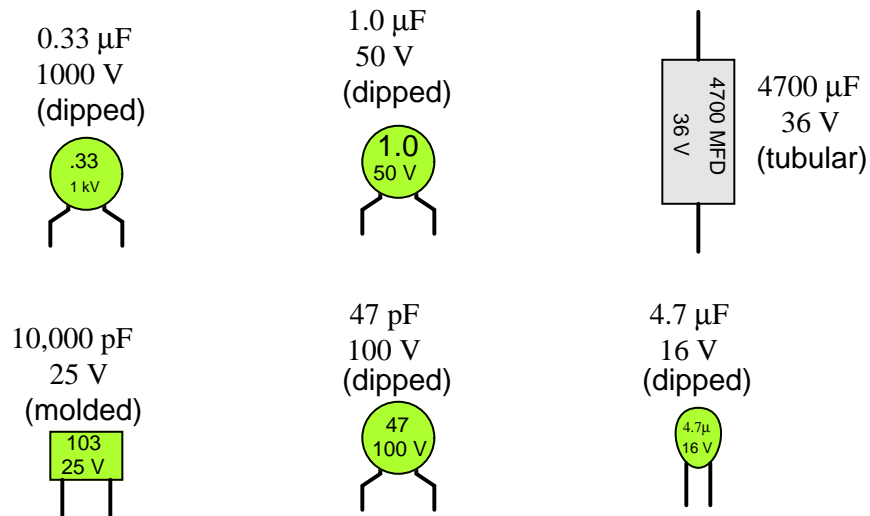
16.5 μF

Answer 10

132.998 pF

Follow-up question: suppose one of the terminal block's hold-down screws were to come loose on one of the leads for the middle capacitor, making a bad (open) connection. What effect would this have on the total capacitance?

Answer 11



Answer 12

A "healthy" capacitor should register as an open circuit between its terminals, after the initial charging period.

Follow-up question: what do you suppose is the most likely failure "mode" of a capacitor, open or shorted? Explain your answer.

Answer 13

If possible, find a manufacturer's datasheet for your components (or at least a datasheet for a similar component) to discuss with your classmates.

Be prepared to *prove* the actual capacitance of your capacitors in class, by using a multimeter (assuming your multimeter is capable of measuring capacitance)!

Answer 14

"ESR" stands for *Equivalent Series Resistance*, usually being a consequence of the capacitor's dielectric substance.

Answer 15

Letter codes are used to designate *tolerance*, just like the last color band on most resistors. I will let you research the letter code equivalencies on your own! Same for the specific values of the four capacitor labels shown.

Notes

Notes 1

There is much to be researched on different capacitor types and characteristics! Encourage your students to research both textbooks and capacitor manufacturer literature for more information.

Notes 2

There are many features of electrolytic capacitors unique to that type, not the least of which being their means of manufacture. Since these capacitors are used so often for low-voltage electronic applications, it is well worth the students' time to study them well and know their idiosyncrasies.

Notes 3

As with resistors and resistance ratings, there is more to the rating of a capacitor than merely capacitance! Discuss with your students the importance of safety when working with capacitors, not only from shock hazard but also from explosions (resulting from excessive voltage).

Notes 4

An interesting follow-up question to pose would be: how do we safely discharge a capacitor charged with dangerous levels of voltage?

Notes 5

Audio system engineering usually inspires interest among music-loving students, especially young students who crave maximum audio power in their automobiles' sound systems! This question is designed to provoke interest as much as it is intended to explore capacitor function.

With regard to "decoupling" capacitors, your students will likely have to use capacitors in this manner when they progress to building semiconductor circuits. If you have a printed circuit board from a computer (a "motherboard") available to show your students, it would be a good example of decoupling capacitors in use.

Notes 6

Don't give your students the equation with which to perform this calculation! Let them find it on their own.

Notes 7

Don't give your students the equation with which to perform this calculation! Let them find it on their own. The $\frac{dv}{dt}$ notation may be foreign to students lacking a strong mathematical background, but don't let this be an obstacle to learning! Rather, use this as a way to introduce those students to the concept of *rates of change*, and to the calculus concept of the *derivative*.

Notes 8

If your students are having difficulty answering the follow-up question in the Answer, ask them to compare these current figures (47 mA and 188 mA) against the current that would go through just one of the 470 μF capacitors under the same condition (an applied voltage changing at a rate of 200 volts per second).

It is, of course, important that students know how series-connected and parallel connected capacitors behave. However, this is typically a process of rote memorization for students rather than true understanding. With this question, the goal is to have students come to a realization of capacitor connections based on their understanding of series and parallel voltages and currents.

Notes 9

Capacitors often confuse new students of electronics because their values do not add up the same as resistors. It is important in answering this question that your students understand *why* series capacitances combine as they do. There is more than one way to explain this phenomenon – explain in terms of capacitor dimensions, or in terms of voltage drop and charge storage.

Notes 10

It is most helpful to first draw a schematic diagram for this capacitor network before trying to perform any capacitance calculations, in order that a clear understanding of the series/parallel connections be established.

Notes 11

Ask your students how they can tell whether a capacitor's value is given in *microfarads* or *picofarads*. There is a way, even if the metric prefix is not printed on the capacitor!

Notes 12

Have your students actually test a few capacitors with their ohmmeters in class. For large capacitor values, the charging time may be substantial! Students need to be aware of this, and the effect it has on the ohmmeter's indication.

Although an ohmmeter check of a capacitor is not a comprehensive analysis, it is certainly better than nothing, and will detect the more common faults.

Notes 13

The purpose of this question is to get students to kinesthetically interact with the subject matter. It may seem silly to have students engage in a "show and tell" exercise, but I have found that activities such as this greatly help some students. For those learners who are kinesthetic in nature, it is a great help to actually *touch* real components while they're learning about their function. Of course, this question also provides an excellent opportunity for them to practice interpreting component markings, use a multimeter, access datasheets, etc.

Notes 14

Discuss with your students why ESR matters, especially in decoupling applications where capacitors are expected to handle large $\frac{dv}{dt}$ transients.

The capacitor tolerance codes are easy enough for students to research on their own. For your own reference, though:

- D = $\pm 0.5\%$
- F = $\pm 1\%$
- G = $\pm 2\%$
- H = $\pm 3\%$
- J = $\pm 5\%$
- K = $\pm 10\%$
- M = $\pm 20\%$
- P = +100%, -0%
- Z = +80%, -20%

Same for the four capacitor labels given in the question:

- 473K = 47 nF $\pm 10\%$
- 102J = 1 nF $\pm 5\%$
- 224M = 0.22 μF $\pm 20\%$
- 331F = 330 pF $\pm 1\%$