

Engine Data-Logger and Monitor System

Features

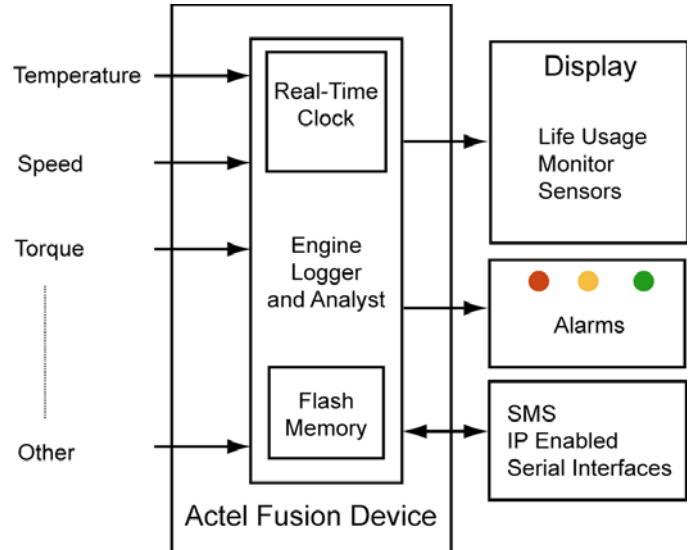
- Engine Monitoring, Recording, and Diagnostics
- Engine Mounted Unit
- Real-Time Clock
- Data Stored on Nonvolatile, On-Chip Flash Memory
- Serial Interface, Supports Removable Media
- Audio-Visual Alarm System
- Sensors – Temperature, Speed, and Torque
- Other Sensor Interfaces such as Pressure, Humidity, Etc.
- Single-Chip, Mixed-Signal, Secure Reprogrammable Fusion Flash FPGA Solution
- Low Power and Live at Power-Up

Applications

- Building Advanced Engine Health Management System
- Remote Diagnostics and Maintenance
- Preventive (Intelligent and Proactive)
- Reactive (Real-Time Fault Detection, Post Diagnostic Recovery Solutions)
- Black Box Functionality
- Electronic – Improved EGR
- High Accuracy and Resolution

Description

The above integrated solution can be made available for implementation using Actel next generation Fusion technology. Current architecture is based on an embedded 8-bit microcontroller. A high end processor such as ARM7™ could also be used for this application. Most of current solutions are available on the test bed environment. By making this integrated solution available on the engine itself, the life of the overall system can be extended at a reduced cost while operating within the optimum parameters. With the use of an Actel Fusion FPGA, the design can be implemented on a single chip. It combines the features of additional external devices such as analog to digital converters, clock generators, and Flash memory into a single FPGA.



About Ishnatek

Ishnatek offers FPGA Design and hardware prototyping services. Ishnatek offers Design and Verification Services for embedded solutions. We have IPs such as 8031, RTC, Timers, Enhanced PWM, UART/SIO/IrDA, I2C, LED Driver and Key scan, Parallel Port, ECP/EPP, etc., which can be building blocks for your embedded controller solutions.

About Actel

Actel Corporation is a supplier of innovative programmable logic solutions, including field-programmable gate arrays (FPGAs) based on Antifuse and Flash technologies, high-performance intellectual property (IP) cores, software development tools and design services targeted for the high-speed communications, application-specific integrated circuit (ASIC) replacement and radiation-tolerant markets.

The company is traded on the NASDAQ National Market under the symbol ACTL and is headquartered at 2061 Stierlin Court, Mountain View, CA, 94043-4655. Telephone: 888-992-2835.