

Errata: CS43L43 Revision GCS43L43 Low Voltage, Stereo DAC with Headphone Amp

All references to the CS43L43 mentioned below shall be taken to refer to revision G of the CS43L43 product. The hardware revision code can be found in the 7-character field printed below the part number on each chip. The letter which appears as the fifth character from the right is the revision code (e.g. OCG0046 is a Revision G part).

- For critical applications, the PopGuard[®] Transient Control may not be sufficient in eliminating extraneous audible artifacts on the headphone outputs during power-up. For these applications, an optional external mute can be used to maintain an absolute minimum of extraneous clicks and pops. Please see Figures 1 and 2 for the headphone mute circuit.
- The headphone outputs clip when the value of VA_HP is below VA. It is recommended that these two supplies be tied together.
- When the Analog Headphone Attenuation Control registers (02h and 03h) are set for attenuation levels greater than -10 dB, the actual attenuation deviates from the register setting by more than 1 dB.

The Motorola MOSFETs shown have been tested to work properly, however, an equivalent device may be used.

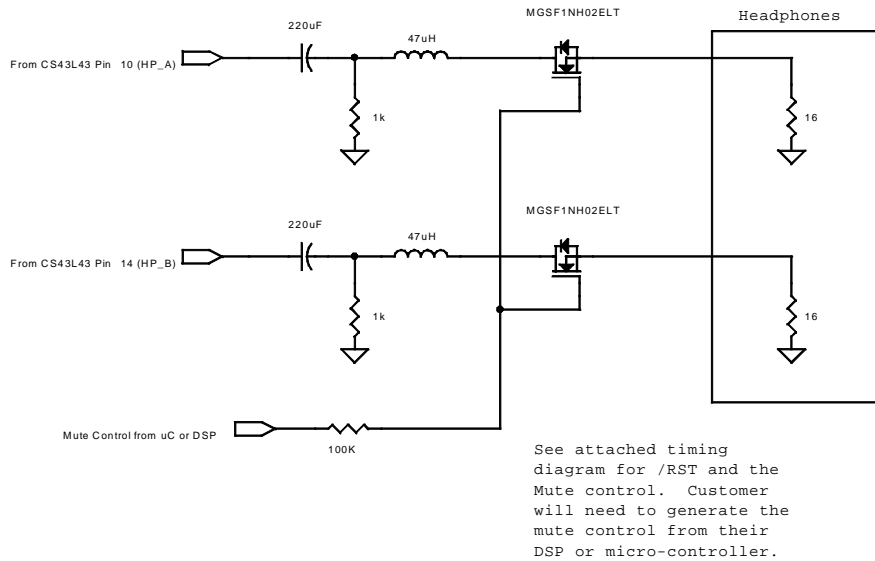


Figure 1. Optional Headphone Mute Circuit for Revision G

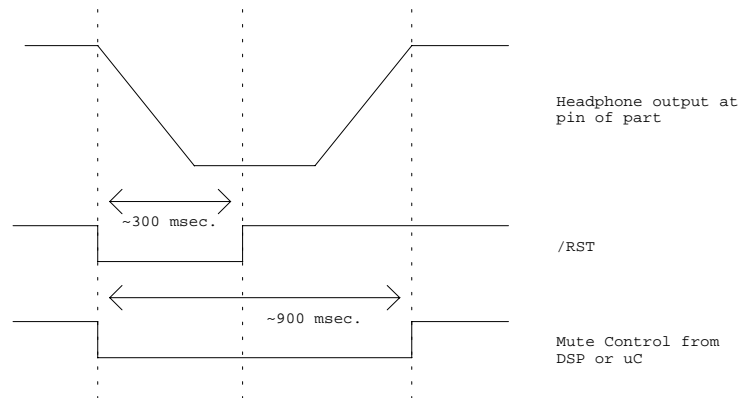


Figure 2. Timing for Headphone Mute

Contacting Cirrus Logic Support:

For a complete listing of Direct Sales, Distributor, and Sales Representative contacts, visit the Cirrus Logic web site at: <http://www.cirrus.com/corporate/contacts/sales.cfm> or email: proaudio@crystal.com