

Evaluation Board for CS4382

Features

- Demonstrates recommended layout and grounding arrangements
- CS8414 receives AES/EBU, S/PDIF, & EIAJ-340 compatible digital audio
- Requires only a digital signal source and power supplies for a complete Digital-to-Analog-Converter system

Description

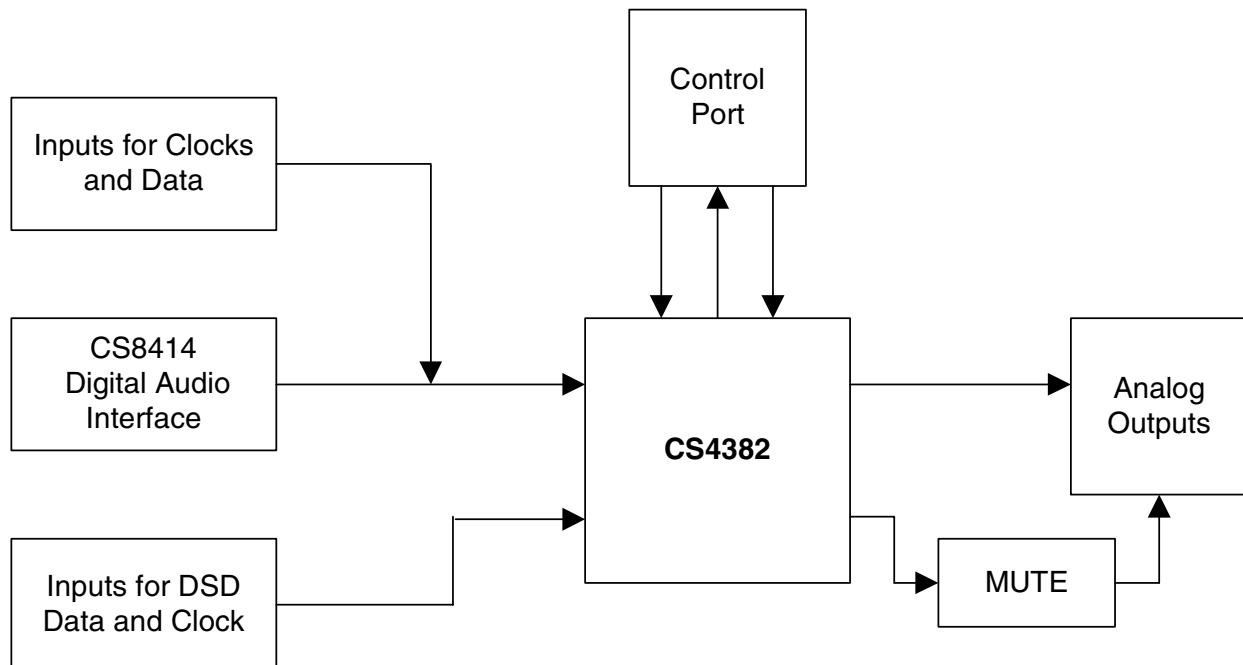
The CDB4382 evaluation board is an excellent means for quickly evaluating the CS4382 24-bit, eight channel D/A converter. Evaluation requires an analog signal analyzer, a digital signal source, a PC for controlling the CS4382 (for control port mode only) and a power supply. Analog line level outputs are provided via RCA phono jacks.

The CS8414 digital audio receiver I.C. provides the system timing necessary to operate the Digital-to-Analog converter and will accept AES/EBU, S/PDIF, and EIAJ-340 compatible audio data. The evaluation board may also be configured to accept external timing and data signals for operation in a user application during system development.

ORDERING INFORMATION

CDB4382

Evaluation Board



Preliminary Product Information

This document contains information for a new product. Cirrus Logic reserves the right to modify this product without notice.

TABLE OF CONTENTS

1. CS4382 DIGITAL TO ANALOG CONVERTER	3
2. CS8414 DIGITAL AUDIO RECEIVER	3
3. INPUT/OUTPUT FOR CLOCKS AND DATA	3
4. POWER SUPPLY CIRCUITRY	3
5. GROUNDING AND POWER SUPPLY DECOUPLING	3
6. CONTROL PORT SOFTWARE	3
7. DSD OPERATION	4
8. ANALOG OUTPUT FILTER	4

LIST OF FIGURES

Figure 1. System Block Diagram and Signal Flow	7
Figure 2. CS4382	8
Figure 3. CS8414 Digital Audio Receiver	9
Figure 4. PCM Input Header	10
Figure 5. DSD Input Header	11
Figure 6. Control Port	12
Figure 7. Channel 1 Outputs and Mute	13
Figure 8. Channel 2 Outputs and Mute	14
Figure 9. Channel 3 Outputs and Mute	15
Figure 10. Channel 4 Outputs and Mute	16
Figure 11. Power Supply	17
Figure 12. Silkscreen Top	18
Figure 13. Top Side	19
Figure 14. Bottom Side	20

LIST OF TABLES

Table 1. System Connections	5
Table 2. CDB4382 Jumper Settings	6

Contacting Cirrus Logic Support

For a complete listing of Direct Sales, Distributor, and Sales Representative contacts, visit the Cirrus Logic web site at:
<http://www.cirrus.com/corporate/contacts>

I²C is a registered trademark of Philips Semiconductors.
SPI is a registered trademark of International Business Machines Corporation.

Preliminary product information describes products which are in production, but for which full characterization data is not yet available. Advance product information describes products which are in development and subject to development changes. Cirrus Logic, Inc. has made best efforts to ensure that the information contained in this document is accurate and reliable. However, the information is subject to change without notice and is provided "AS IS" without warranty of any kind (express or implied). No responsibility is assumed by Cirrus Logic, Inc. for the use of this information, nor for infringements of patents or other rights of third parties. This document is the property of Cirrus Logic, Inc. and implies no license under patents, copyrights, trademarks, or trade secrets. No part of this publication may be copied, reproduced, stored in a retrieval system, or transmitted, in any form or by any means (electronic, mechanical, photographic, or otherwise) without the prior written consent of Cirrus Logic, Inc. Items from any Cirrus Logic website or disk may be printed for use by the user. However, no part of the printout or electronic files may be copied, reproduced, stored in a retrieval system, or transmitted, in any form or by any means (electronic, mechanical, photographic, or otherwise) without the prior written consent of Cirrus Logic, Inc. Furthermore, no part of this publication may be used as a basis for manufacture or sale of any items without the prior written consent of Cirrus Logic, Inc. The names of products of Cirrus Logic, Inc. or other vendors and suppliers appearing in this document may be trademarks or service marks of their respective owners which may be registered in some jurisdictions. A list of Cirrus Logic, Inc. trademarks and service marks can be found at <http://www.cirrus.com>.

CDB4382 SYSTEM OVERVIEW

The CDB4382 evaluation board is an excellent means of quickly evaluating the CS4382. The CS8414 digital audio interface receiver provides an easy interface to digital audio signal sources including the majority of digital audio test equipment. The evaluation board also allows the user to supply either PCM or DSD clocks and data through 18-pin headers for system development.

The CDB4382 schematic has been partitioned into 10 schematics shown in Figures 2 through 11. Each partitioned schematic is represented in the system diagram shown in Figure 1. Notice that the system diagram also includes the interconnections between the partitioned schematics.

1. CS4382 DIGITAL TO ANALOG CONVERTER

A description of the CS4382 is included in the CS4382 datasheet.

2. CS8414 DIGITAL AUDIO RECEIVER

The system receives and decodes the standard S/PDIF data format using a CS8414 Digital Audio Receiver, Figure 3. The outputs of the CS8414 include a serial bit clock, serial data, left-right clock (FSYNC), and a 256 Fs master clock. The CS8414 data format has been configured for I2S. The operation of the CS8414 and a discussion of the digital audio interface are included in the CS8414 datasheet.

The evaluation board has been designed such that the input can be either optical or coax, see Figure 3. However, both inputs cannot be driven simultaneously.

3. INPUT/OUTPUT FOR CLOCKS AND DATA

The evaluation board has been designed to allow interfacing to external systems via the 18-pin headers, J15 and J16. Header J15 allows the evaluation board to accept externally generated PCM clocks

and data. The schematic for the clock/data input is shown in Figure 4.

Header J16 allows the evaluation board to accept externally generated DSD data and clock. The schematic for the clock/data input is shown in Figure 5. A synchronous MCLK must still be provided via header J15. Please see the CS4382 datasheet for more information.

4. POWER SUPPLY CIRCUITRY

Power is supplied to the evaluation board by six binding posts (GND, +5V, VLS, VLC, +12V and -12V), see Figure 11. The +5V input supplies power to the +5 volt digital circuitry (+5V, VD_+5, VA_+5), while the VLS and VLC inputs supply power to the Voltage Level Converters and the CS4382 VLS and VLC pins respectively. +12V and -12V supply power to the op-amps and can be +/-5 to +/-12 volts.

WARNING: Refer to the CS4382 datasheet for maximum allowable voltages levels. Operation outside of this range can cause permanent damage to the device.

5. GROUNDING AND POWER SUPPLY DECOUPLING

The CS4382 requires careful attention to power supply and grounding arrangements to optimize performance. Figure 2 details the power distribution used on this board. The decoupling capacitors are located as close to the CS4382 as possible. Extensive use of ground plane fill in the evaluation board yields large reductions in radiated noise.

6. CONTROL PORT SOFTWARE

The CDB4382 is shipped with Windows based software for interfacing with the CS4382 control port via the DB25 connector, J1. The software can be used to communicate with the CS4382 in either SPI[®] or Two Wire mode; however, in SPI mode the CS4382 registers are write-only.

Note: The Two Wire control port mode is compatible with the I²C[®] protocol.

7. DSD OPERATION

The CDB4382 supports Direct Stream Digital (DSD) operation through the header for external clocks and data, J16. The CS4382 must be placed into the DSD mode and headers J6 and J14 must be set accordingly. See Table 2 for more information.

8. ANALOG OUTPUT FILTER

The application note “Design Notes for a 2-Pole Filter with Differential Input” discusses the second-order Butterworth filter and differential to single-ended converter which was implemented on the CS4382 evaluation board, CDB4382. The filter, as seen in Figures 7 through 10, is a linear phase design and does not include phase or amplitude compensation for an external filter. Therefore, the DAC system phase and amplitude response will be dependent on the external analog circuitry.

CONNECTOR	INPUT/OUTPUT	SIGNAL PRESENT
+5V	Input	+ 5 Volt power
VLS	Input	+ 1.8 to +5V power for the CS4382 serial interface
VLC	Input	+ 1.8 to +5V power for the CS4382 control interface
-12V	Input	-12 to -5V negative supply for the op-amps
+12V	Input	+5 to +12V positive supply for the op-amps
GND	Input	Ground connection from power supply
Coax Input	Input	Digital audio interface input via coax
Optical Input	Input	Digital audio interface input via optical
J15	Input	Input for master, serial, left/right clocks and serial data
J16	Input	Input for DSD data and clock
Parallel Port	Input/Output	Parallel connection to PC for SPI / Two Wire control port signals
J17	Input/Output	I/O for SPI / Two Wire control port signals
OUT1A	Output	Channel 1A line level analog output
OUT1B	Output	Channel 1B line level analog output
OUT2A	Output	Channel 2A line level analog output
OUT2B	Output	Channel 2B line level analog output
OUT3A	Output	Channel 3A line level analog output
OUT3B	Output	Channel 3B line level analog output
OUT4A	Output	Channel 4A line level analog output
OUT4B	Output	Channel 4B line level analog output

Table 1. System Connections

JUMPER / SWITCH	PURPOSE	POSITION	FUNCTION SELECTED
J4	Stand-Alone/Control Port Select	SA *CP	Stand-Alone Mode (No PC required) Control Port Mode (PC required)
J6	Clock Source Select	*CS8414 External	CS8414 provides PCM inputs to CS4382 PCM or DSD inputs are provided externally
J9	M0/AD0/CS	*HI LO	See CS4382 datasheet for details
J10	M1/SDA/CDIN	*HI LO	See CS4382 datasheet for details
J11	M2/SCL/CCLK	*HI LO	See CS4382 datasheet for details
J12	M3/DSD_CLK	HI *LO	See CS4382 datasheet for details
J14	Input Mode Select	*PCM DSD	Selects PCM input mode Selects DSD input mode (via J16)
J21-J28	Mute Enables		Enables the external mute circuit for each channel when jumpered

Table 2. CDB4382 Jumper Settings

*Default Factory Settings

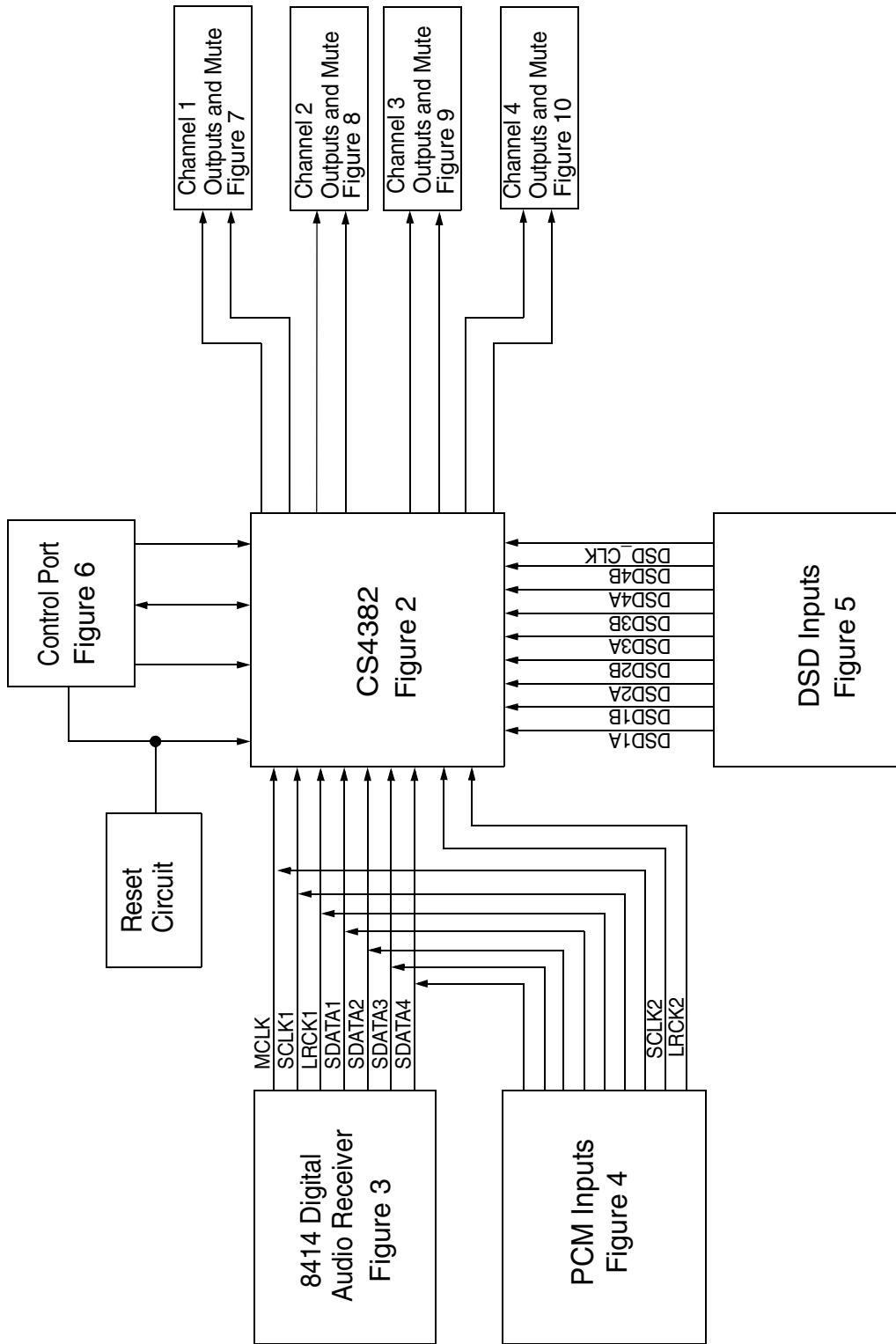


Figure 1. System Block Diagram and Signal Flow

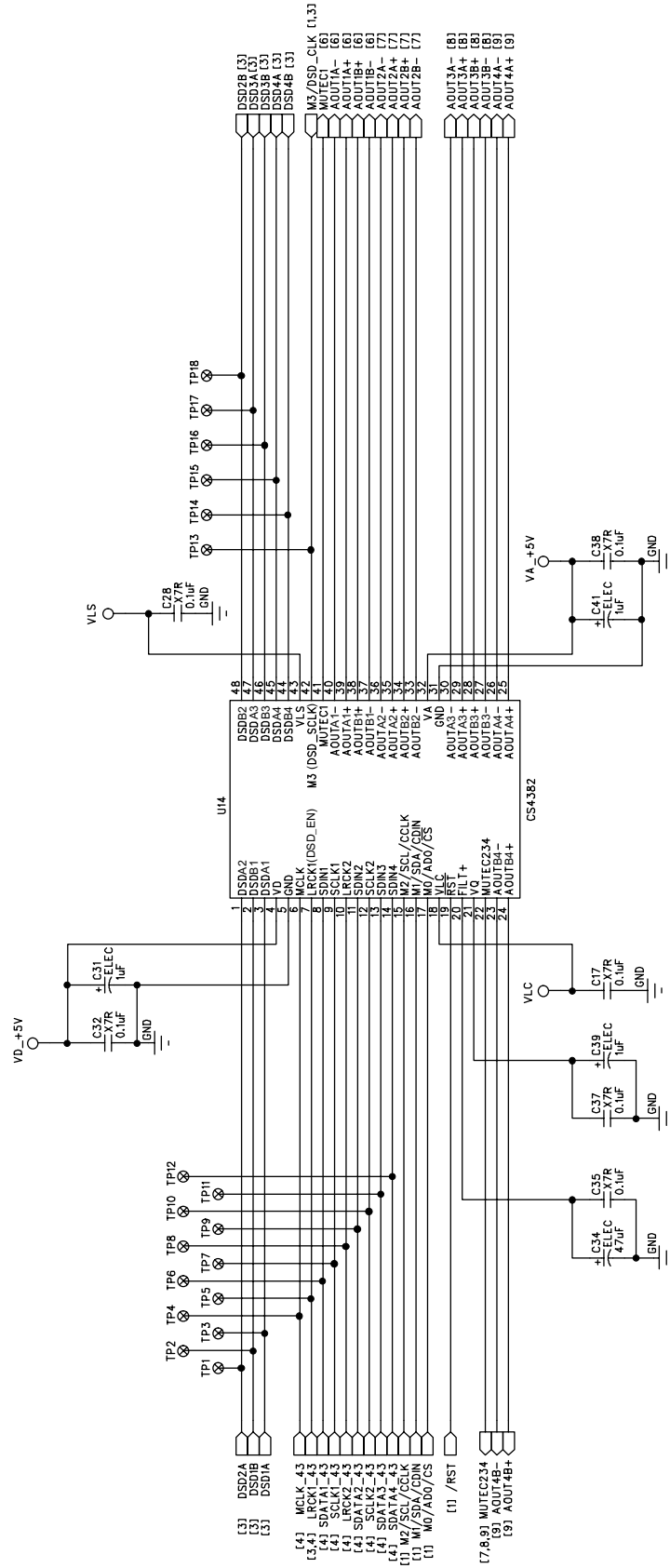


Figure 2. CS4382

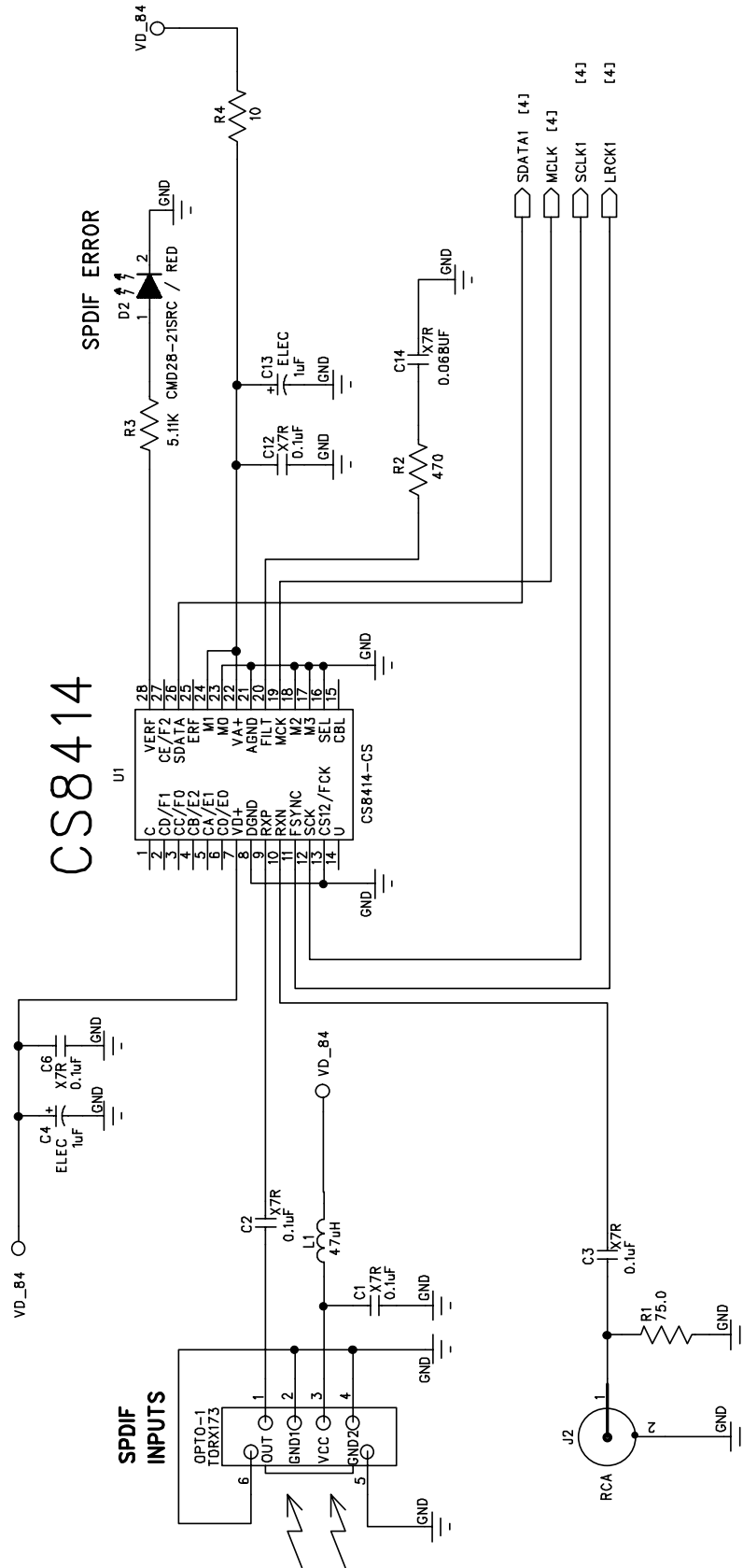


Figure 3. CS8414 Digital Audio Receiver

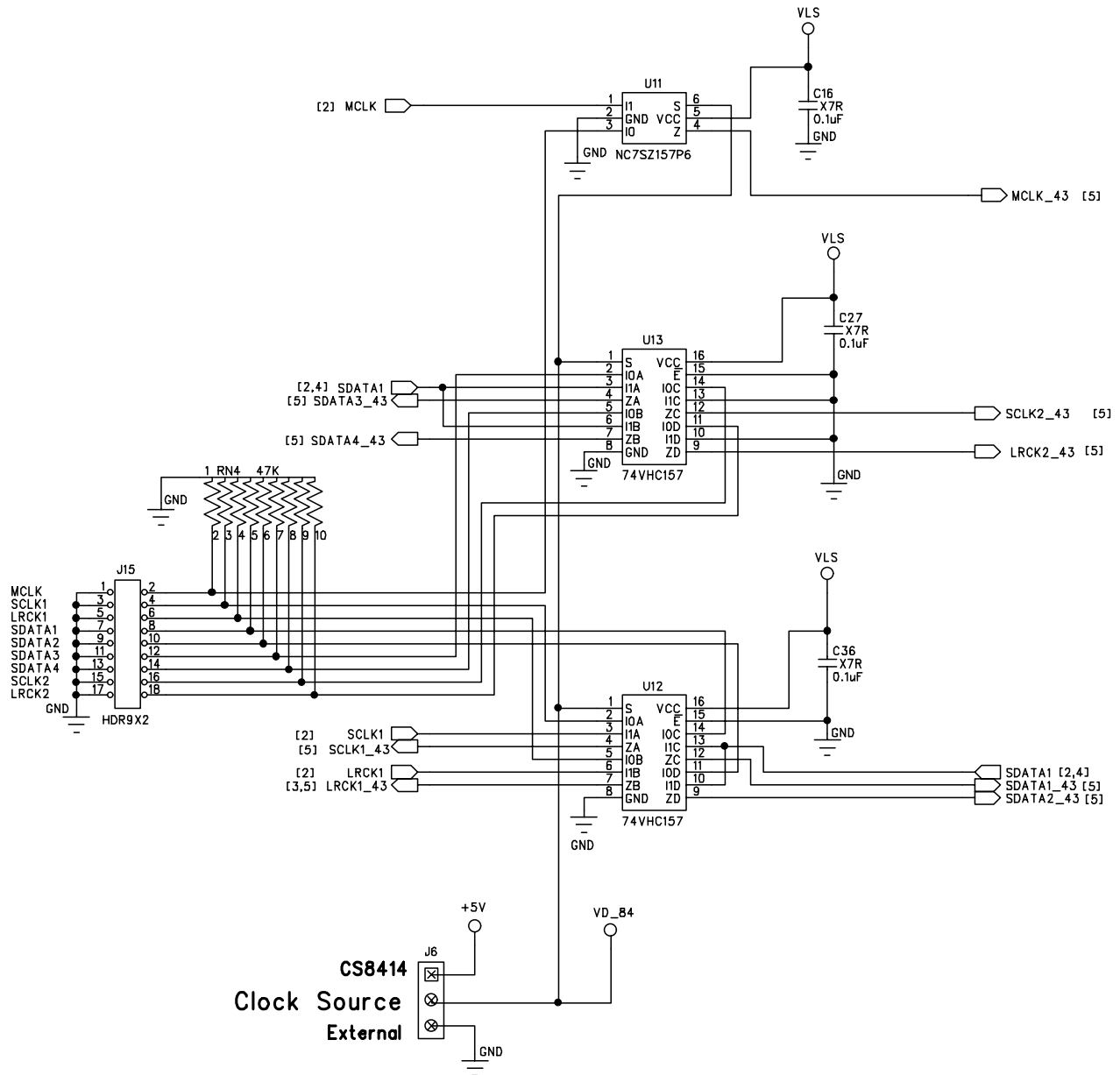


Figure 4. PCM Input Header

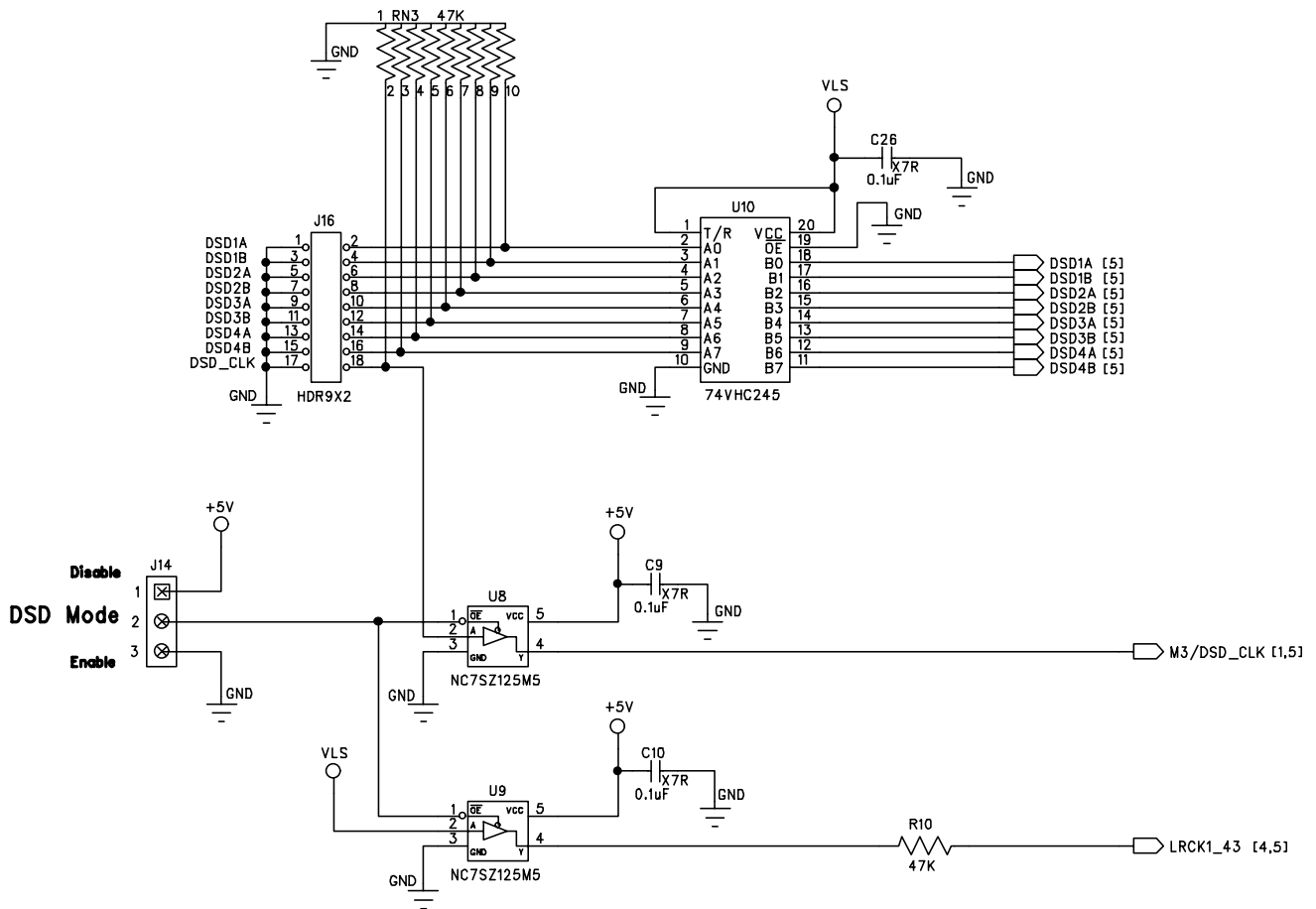


Figure 5. DSD Input Header

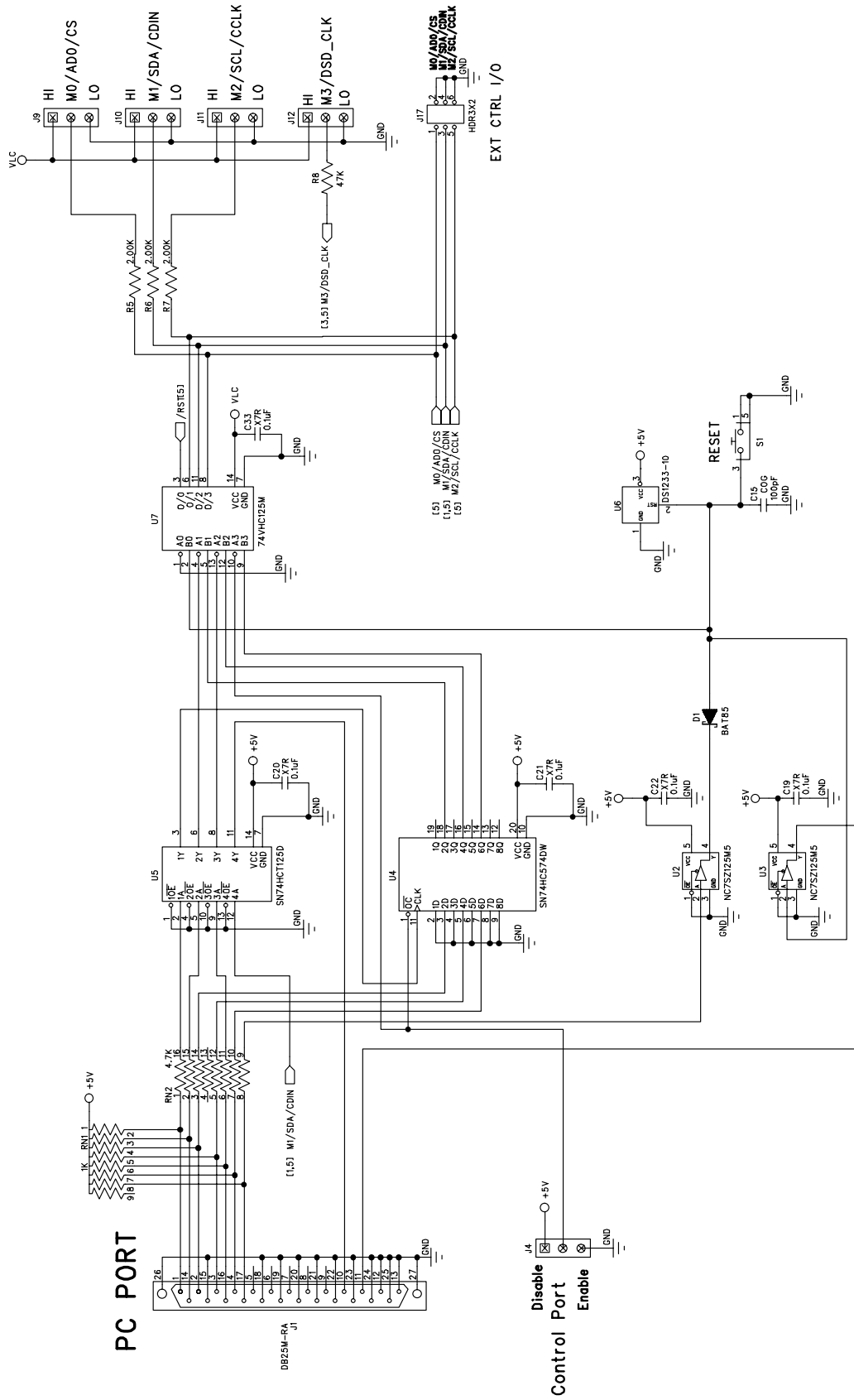


Figure 6. Control Port

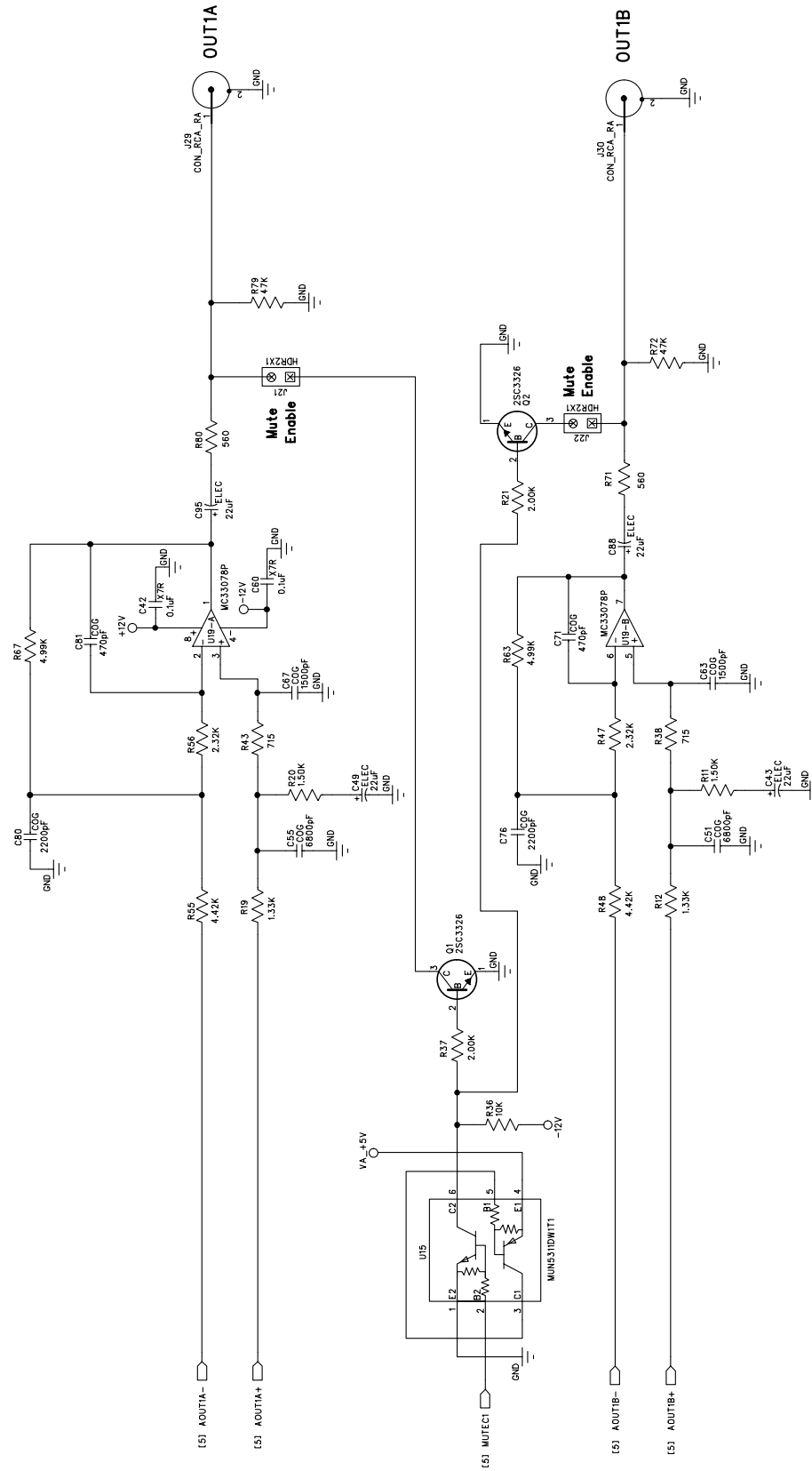


Figure 7. Channel 1 Outputs and Mute

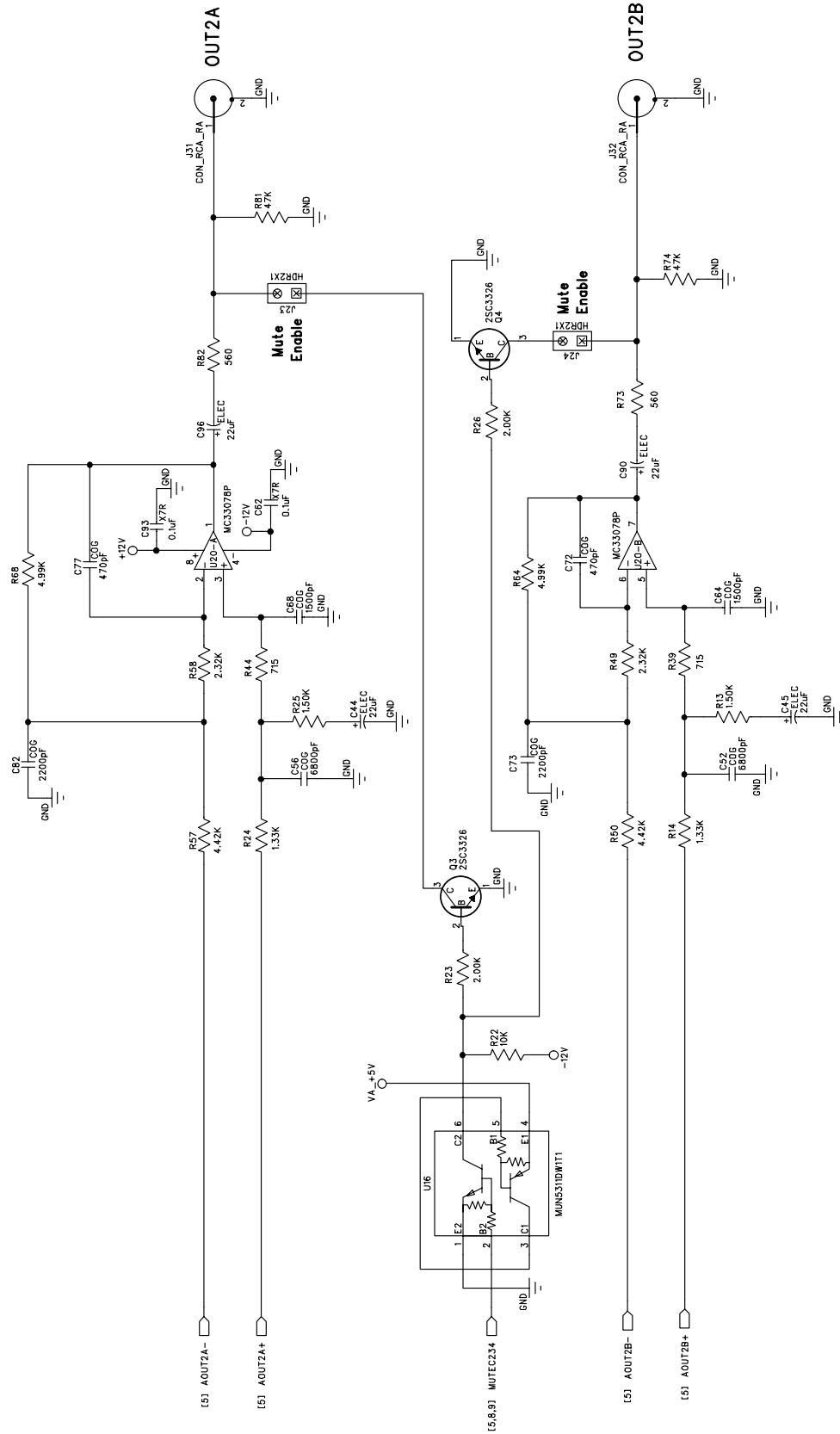


Figure 8. Channel 2 Outputs and Mute

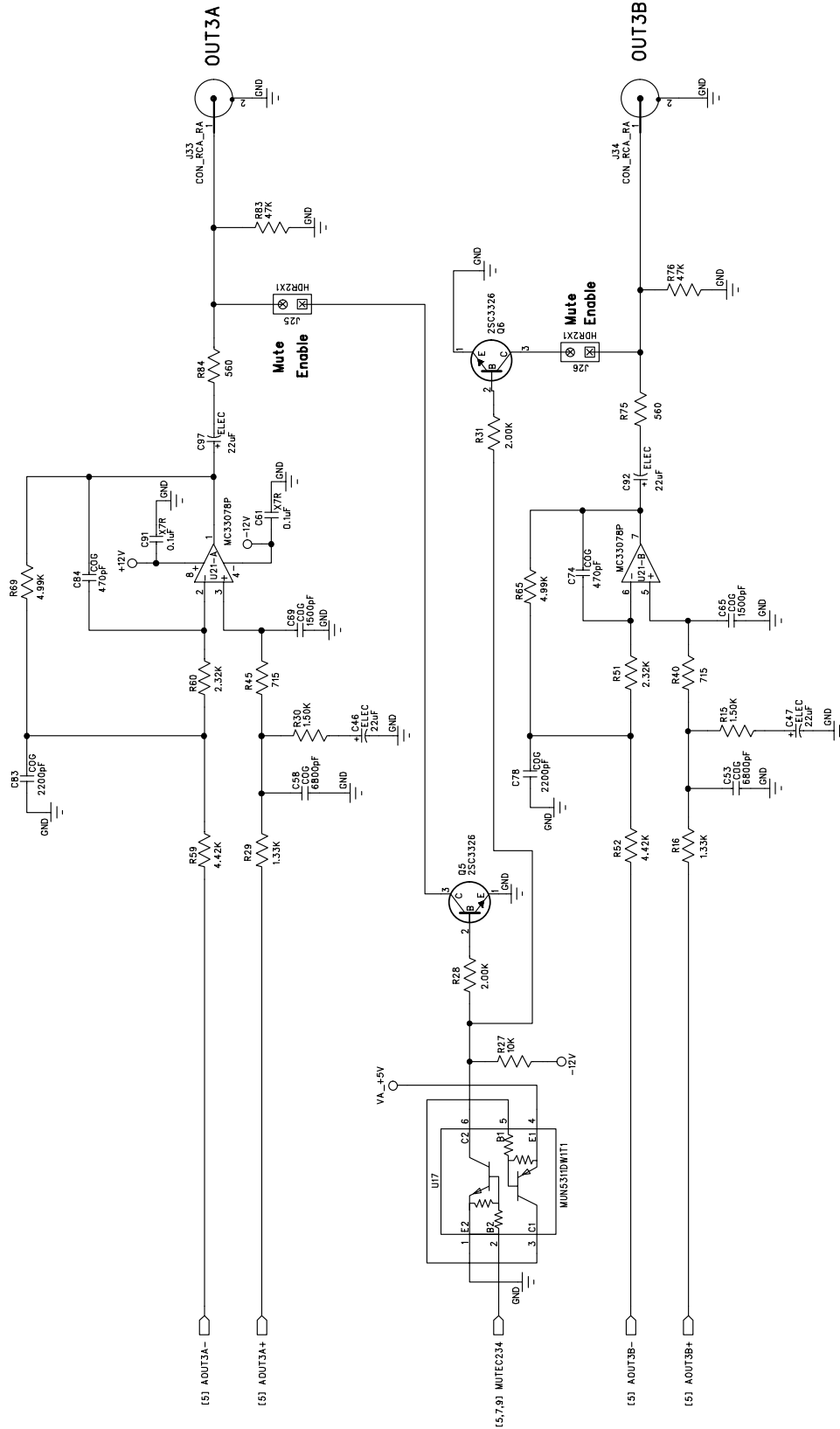


Figure 9. Channel 3 Outputs and Mute

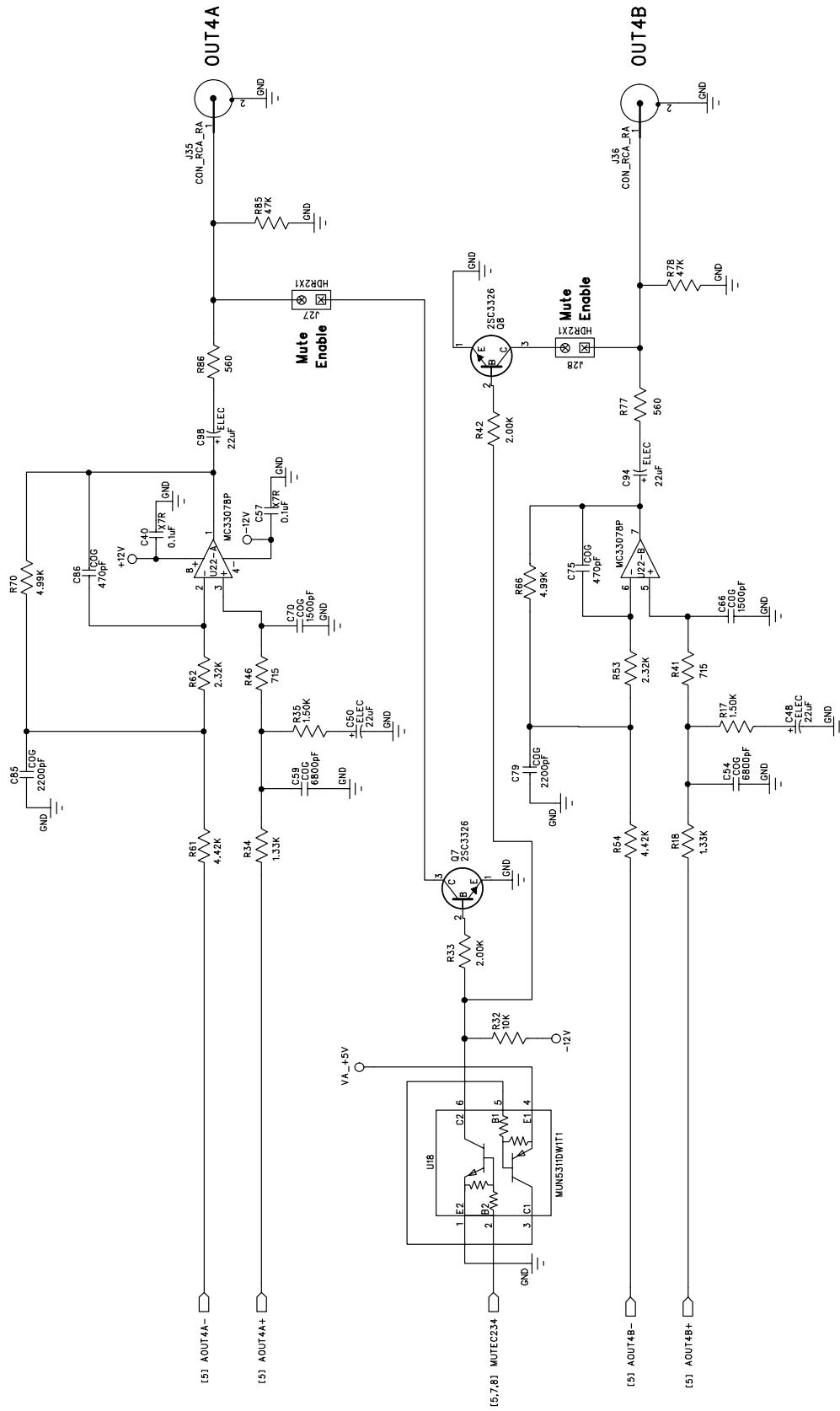


Figure 10. Channel 4 Outputs and Mute

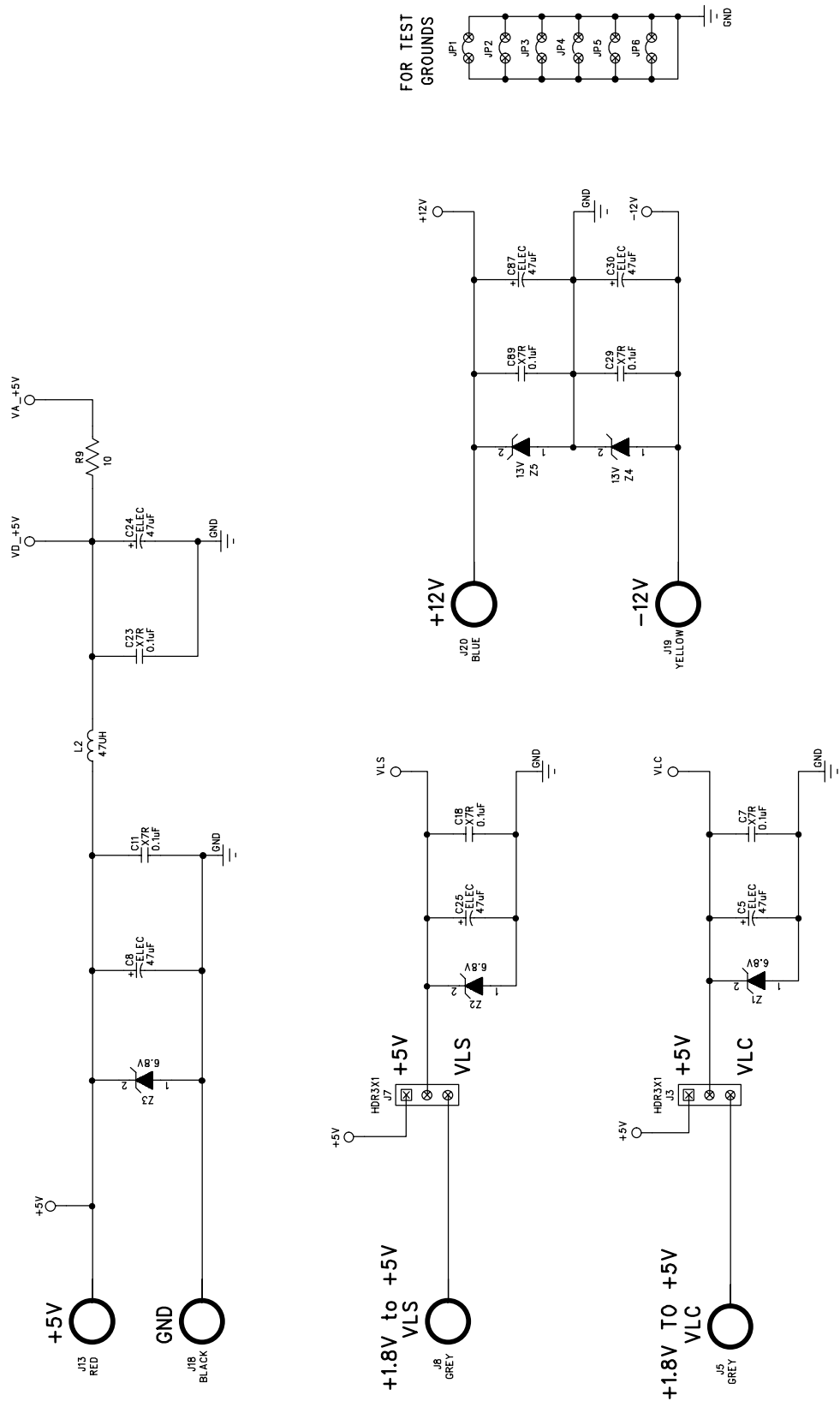
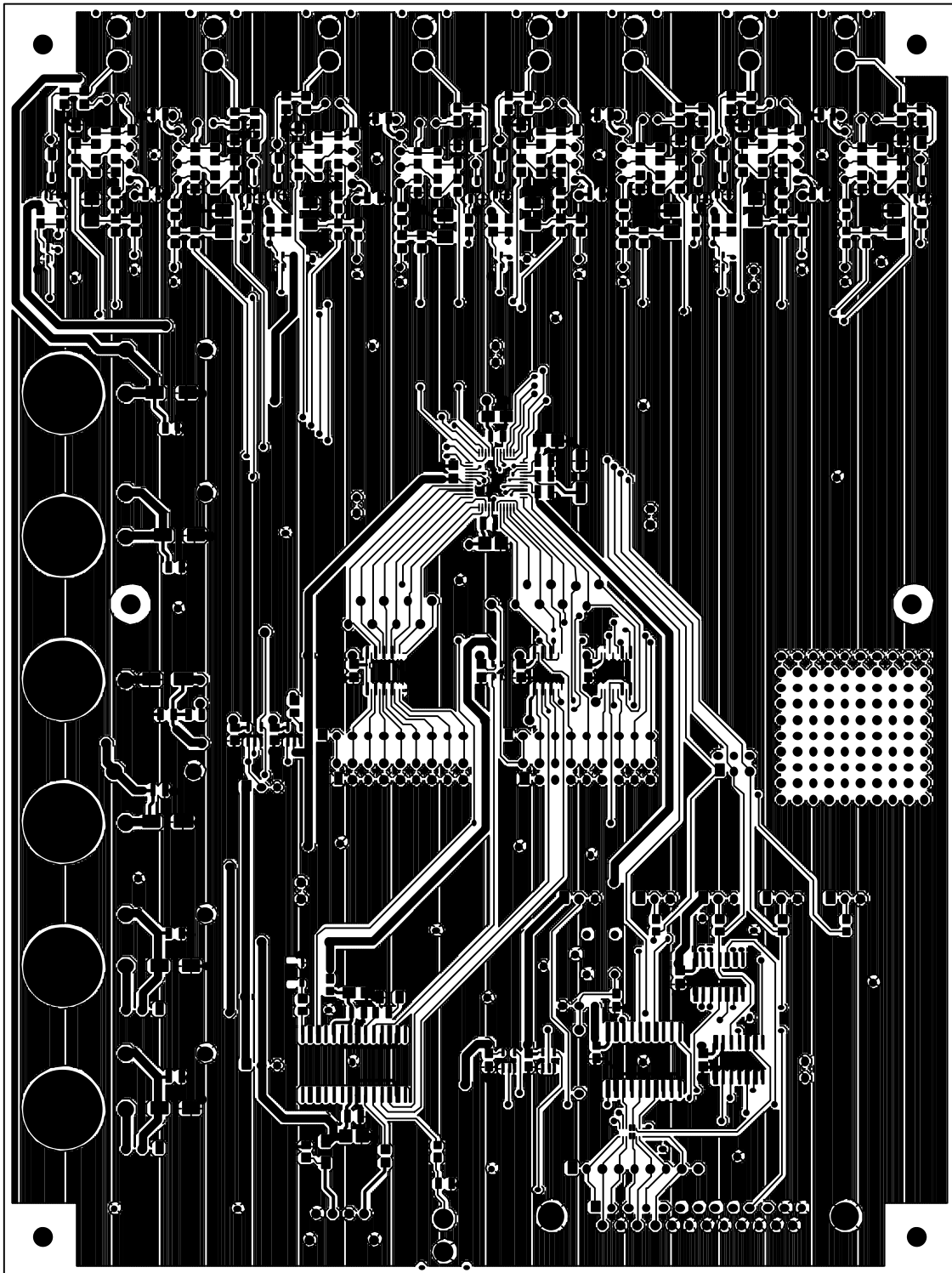
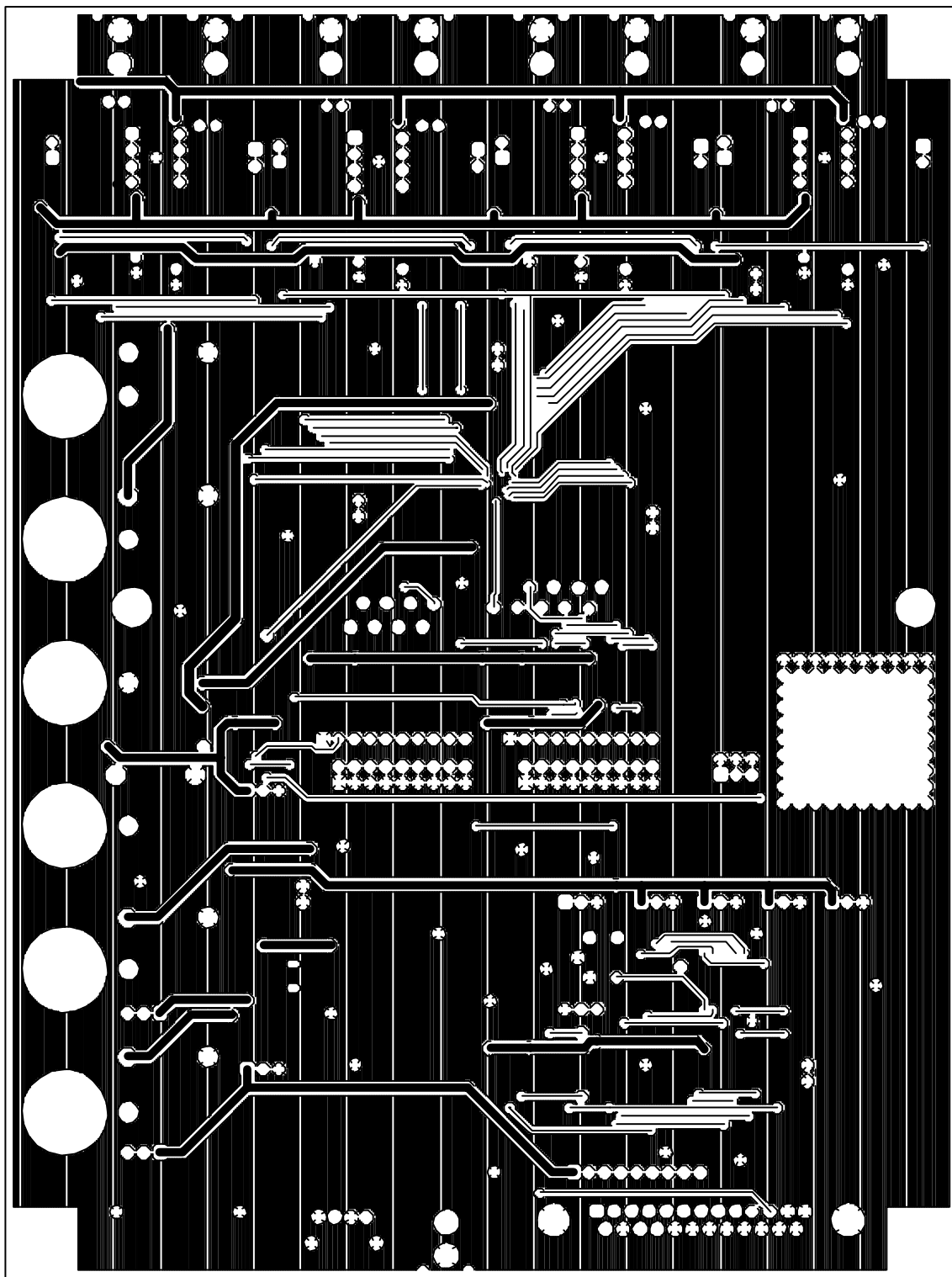


Figure 11. Power Supply



TOP SIDE, CDB4382A

Figure 13. Top Side



BOTTOM SIDE, CDB4382A

Figure 14. Bottom Side

• **Notes** •

SMART
Analog™