

Low Power Multi-Channel Decimation Filter

Features

- 1 to 4 Channel Digital Decimation Filters
 - ◆ Coefficient Programmable FIR Filters
 - ◆ Coefficient Programmable IIR Filters
 - ◆ On-chip FIR and IIR Coefficient Set
- 62.5 sps - 4000 sps Output Word Rate
- Programmable Offset and Gain Correction
- High Speed Serial Data Output Port
- DAC Test Bit Stream Generator
- 12 General Purpose I/O Pins
- Secondary Master Mode Serial Port
- IEEE 1149.1 JTAG Test Access Port
- Configuration by Microcontroller or EEPROM
- Small Footprint 64 Pin TQFP Package
- Low Power at < 6 mW per Channel
- 3.0 V or 5.0 V Operation

Description

The CS5376 is a multi-function digital filter utilizing a low-power signal processing architecture to achieve efficient filtering for up to four $\Delta-\Sigma$ modulators. Used in combination with the CS5371 and CS5372 $\Delta-\Sigma$ modulators, a unique high resolution A/D measurement system results.

Digital filter coefficients for the CS5376 FIR and IIR filters can be programmed for custom applications, or the on-chip coefficient set can be used for a simple setup. Filter configuration is initialized through a serial port using a microcontroller or a configuration EEPROM.

The CS5376 includes a test bit stream generator that produces a 1-bit $\Delta-\Sigma$ modulated output suitable for driving a test DAC. It also includes 12 general purpose I/O pins for local hardware control, a secondary master mode SPI port to communicate with serial peripherals, and an IEEE 1149.1 JTAG test port for boundary scan.

ORDERING INFORMATION

CS5376-BS -40 to +85 °C 64-pin TQFP

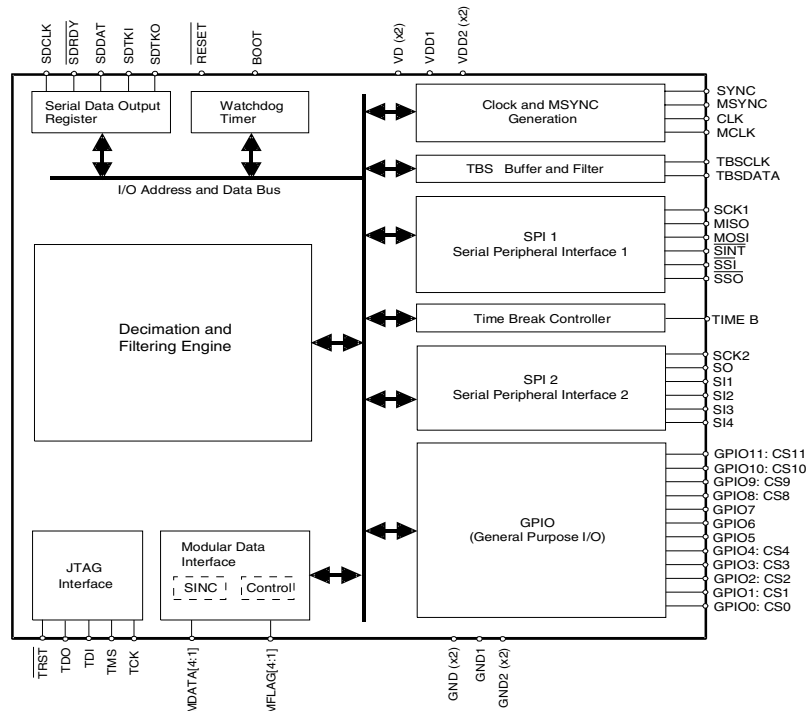


TABLE OF CONTENTS

1. CHARACTERISTICS/SPECIFICATIONS	7
5.0 V AND 3.0 V DIGITAL CHARACTERISTICS	7
POWER SUPPLY CHARACTERISTICS	7
ABSOLUTE MAXIMUM RATINGS	7
SWITCHING CHARACTERISTICS	8
2. GENERAL DESCRIPTION	10
2.1 System Configurations	10
2.2 Digital Filter Description	11
2.3 Integrated Hardware Peripherals	12
2.4 Register Descriptions	13
3. SYSTEM DESIGN	15
3.1 Power Supply Voltages	15
3.1.1 Bypass Capacitors	15
3.2 Clock and Synchronization Signals	15
3.2.1 Master Clock Jitter and Skew	16
3.2.2 Synchronization Jitter and Skew	16
3.3 EEPROM Programming	16
3.4 Boundary Scan Testing	16
3.4.1 TRST and RESET Pins	17
3.5 Functional Testing	17
3.5.1 Analog Test DAC	17
3.5.2 Step Input and Group Delay	17
3.6 System Registers	17
4. RESET CONTROL	20
4.1 Reset Pin Descriptions	20
4.2 Boot Configurations	20
4.3 Reset Self-Tests	21
5. SERIAL PERIPHERAL INTERFACE 1	23
5.1 SPI 1 Pin Descriptions	24
5.2 SPI 1 Stand-Alone Mode	24
5.2.1 EEPROM Organization	25
5.2.2 EEPROM Commands	25
5.2.3 CS5376 to EEPROM Transactions	28
5.3 SPI 1 Coprocessor Mode	28
5.3.1 SPI 1 Registers	29
6. SERIAL PERIPHERAL INTERFACE 2	43
6.1 SPI 2 Pin Descriptions	43
6.2 SPI 2 Physical Interface	43

Contacting Cirrus Logic Support

For a complete listing of Direct Sales, Distributor, and Sales Representative contacts, visit the Cirrus Logic web site at: <http://www.cirrus.com/corporate/contacts/>

Preliminary product information describes products which are in production, but for which full characterization data is not yet available. Advance product information describes products which are in development and subject to development changes. Cirrus Logic, Inc. has made best efforts to ensure that the information contained in this document is accurate and reliable. However, the information is subject to change without notice and is provided "AS IS" without warranty of any kind (express or implied). No responsibility is assumed by Cirrus Logic, Inc. for the use of this information, nor for infringements of patents or other rights of third parties. This document is the property of Cirrus Logic, Inc. and implies no license under patents, copyrights, trademarks, or trade secrets. No part of this publication may be copied, reproduced, stored in a retrieval system, or transmitted, in any form or by any means (electronic, mechanical, photographic, or otherwise) without the prior written consent of Cirrus Logic, Inc. Items from any Cirrus Logic website or disk may be printed for use by the user. However, no part of the printout or electronic files may be copied, reproduced, stored in a retrieval system, or transmitted, in any form or by any means (electronic, mechanical, photographic, or otherwise) without the prior written consent of Cirrus Logic, Inc. Furthermore, no part of this publication may be used as a basis for manufacture or sale of any items without the prior written consent of Cirrus Logic, Inc. The names of products of Cirrus Logic, Inc. or other vendors and suppliers appearing in this document may be trademarks or service marks of their respective owners which may be registered in some jurisdictions. A list of Cirrus Logic, Inc. trademarks and service marks can be found at <http://www.cirrus.com>.

6.3 SPI 2 Registers	44
6.3.1 SPI 2 Command Register	44
6.3.2 SPI 2 Data Register	44
6.3.3 SPI 2 Configuration Register	45
7. MODULATOR DATA INTERFACE	52
7.1 Modulator Interface Pin Descriptions	52
7.2 Modulator Data Inputs	52
7.3 Modulator Flag Inputs	52
7.4 Modulator Clock Generation	53
7.4.1 Modulator Clock Enables	53
7.5 Modulator Synchronization	54
7.5.1 Modulator Sync Enable	54
8. DIGITAL DECIMATION FILTER	56
8.1 Filter Initialization	56
8.1.1 Decimation Engine Clock	56
8.1.2 Channel Enable	57
8.1.3 Output Filter Selection	57
8.1.4 Output Word Rate	58
8.2 Hardware Sinc Filter	61
8.2.1 SINC1 Filter	61
8.2.2 SINC2 Filter	61
8.2.3 Sinc Filter Synchronization	63
8.3 FIR Filters	63
8.3.1 FIR1 Filter	63
8.3.2 FIR2 Filter	63
8.3.3 Maximum FIR Coefficients	64
8.3.4 FIR Coefficient Upload	64
8.3.5 FIR Filter Synchronization	64
8.4 IIR Filter	64
8.4.1 1st Order IIR	65
8.4.2 2nd Order IIR	65
8.4.3 3rd Order IIR	65
8.4.4 IIR coefficient upload	65
8.4.5 IIR Filter Synchronization	65
8.5 Reference Coefficients	66
8.5.1 Reference FIR coefficients	66
8.5.2 Reference IIR coefficient set	67
9. GAIN AND OFFSET CORRECTION	68
9.1 Gain Correction	68
9.1.1 Gain Register Calculation	68
9.2 Offset Correction	69
9.2.1 Offset Register Calculation	69
9.3 Offset Calibration	69
10. SERIAL DATA OUTPUT PORT	74
10.1 SD Port Pin Descriptions	74
10.2 Serial Data Transactions	75
10.3 SD Port Configurations	75
10.4 SD Port Data Format	76
11. TIME BREAK FUNCTION	78
11.1 Time Break Pin Description	78
11.2 Time Break Delay	78
11.3 TB Flag Output	78
12. SYSTEM SYNCHRONIZATION	80

12.1 Synchronous Clocking	80
12.2 Synchronization Signals	80
12.3 CS5376 Internal Synchronization	81
12.3.1 Sinc Filter Synchronization	81
12.3.2 Decimation Engine Synchronization	82
12.3.3 SD Port Synchronization	82
12.3.4 Time Break Synchronization	82
12.3.5 Test Bit Stream Synchronization	82
12.4 Modulator Synchronization	82
13.1 TBS Generator Architecture	84
13.2 TBS Pin Descriptions	84
13.3 TBS Data Source	85
13.3.1 TBS ROM Data	85
13.3.2 TBS Uploaded Data	85
13.4 TBS Configuration	85
13.4.1 Interpolation Factor	86
13.4.2 Clock Rate	86
13.4.3 Clock Delay	86
13.4.4 Loopback Enable	86
13.4.5 Run Enable	86
13.4.6 Data Delay	86
14. GENERAL PURPOSE I/O PINS	88
14.1 GPIO Input Mode	88
14.2 GPIO Output Mode	88
14.2.1 GPIO Read In Output Mode	88
14.3 GPIO Chip Select	89
14.4 GPIO Pin Descriptions	89
15. JTAG TEST PORT (IEEE 1149.1)	92
15.1 JTAG Pin Definitions	92
15.2 JTAG Architecture	92
15.2.1 TAP Controller	92
15.2.2 Boundary Scan Cells	93
16. WATCHDOG TIMER	94
16.1 Watchdog Timer Initialization	94
16.2 Watchdog Timer Restart	94
17. REGISTER SUMMARY	97

1. CHARACTERISTICS/SPECIFICATIONS

5.0 V AND 3.0 V DIGITAL CHARACTERISTICS

Notes: $T_A = 25\text{ }^\circ\text{C}$; $V_{DD} = 5.0\text{ V} \pm 5\%$ or $3.0\text{ V} \pm 5\%$; $GND = 0\text{ V}$

Parameter	Symbol	Min	Typ	Max	Unit
Digital Characteristics					
High-Level Input Drive Voltage	V_{IH}	$V_{DD} - 0.6$	-	-	V
Low-Level Input Drive Voltage	V_{IL}	-	-	1.0	V
High-Level Output Drive Voltage	V_{OH}	$V_{DD} - 0.3$	-	-	V
Low-Level Output Drive Voltage	V_{OL}	-	-	0.3	V
Input Leakage Current	I_{in}	-	± 1	± 10	μA
3-State Leakage Current	I_{OZ}	-	-	± 10	μA
Digital Input Capacitance	C_{IN}	-	9	-	pF
Digital Output Pin Capacitance	C_{out}	-	9	-	pF

POWER SUPPLY CHARACTERISTICS

Notes: $T_A = 25\text{ }^\circ\text{C}$; $GND, GND1, GND2 = 0\text{ V}$

Parameter	Symbol	Min	Typ	Max	Unit
DC Supply					
Digital Supply Pins	VD	2.5	3.0	5.25	V
I/O Interface Pins	VDD1	2.5	-	5.25	V
Modulator Interface Pins	VDD2	2.5	-	5.25	V
Power					
One Channel	P1CH	-	6.0	-	mW
Four Channel	P4CH	-	22.0	-	mW
Standby	PSBY	-	100	-	μW

ABSOLUTE MAXIMUM RATINGS

Notes: $T_A = 25\text{ }^\circ\text{C}$; $GND, GND1, GND2 = 0\text{ V}$; All voltages referenced to ground

Parameter	Symbol	Min	Max	Unit
DC power supplies:	Digital Supply	-0.3	5.25	V
	I/O Interface	-0.3	5.25	V
	Modulator Interface	-0.3	5.25	V
Input current, any pin except supplies			± 10	mA
Operating temperature (power applied)	T_{max}	-55	+85	$^\circ\text{C}$
Storage temperature	T_{stg}	-65	+150	$^\circ\text{C}$

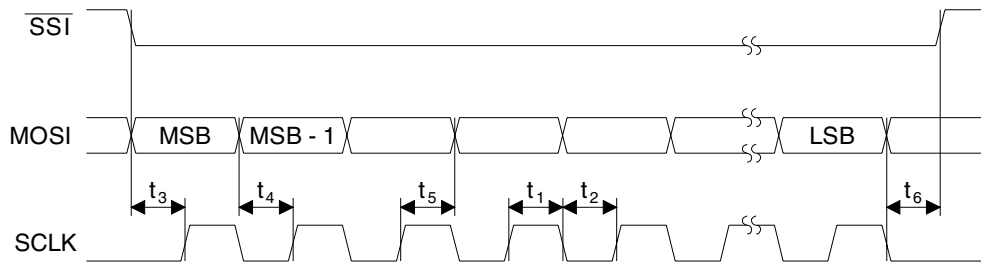
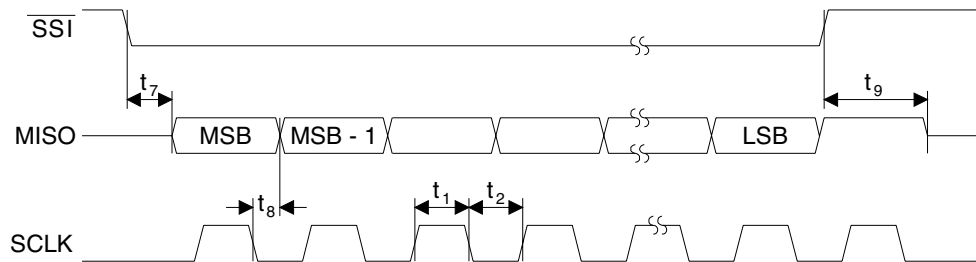
SWITCHING CHARACTERISTICS Notes: $T_A = -40\text{ }^\circ\text{C}$ to $+85\text{ }^\circ\text{C}$; $V_D = 3.0\text{ V} \pm 5\%$ or $5.0\text{ V} \pm 5\%$; $V_{DD1} = 3.3\text{ V} \pm 5\%$ or $5.0\text{ V} \pm 5\%$; $V_{DD2} = 3.3\text{ V} \pm 5\%$ or $5.0\text{ V} \pm 5\%$; $GND = GND1 = GND2 = 0\text{ V}$; Logic Levels: Logic 0 = 0 V, Logic 1 = V_D , V_{DD1} , V_{DD2} ; $CL = 50\text{ pF}$

Parameter	Symbol	Min	Typ	Max	Unit
Master Clock Frequency (Note 1)	CLK	0.1	32.768	33	MHz
Master Clock Duty Cycle		40	-	60	%
Rise Times Any Digital Input Except SCK (Note 2) SCK Any Digital Output	t_{rise}	-	-	1.0	μs
		-	-	100	μs
		-	50	-	ns
Fall Times Any Digital Input Except SCK (Note 2) SCK Any Digital Output	t_{fall}	-	-	1.0	μs
		-	-	100	μs
		-	50	-	ns
Modulator Data Interface					
MSYNC Setup Time to MCLK rising	t_{mss}	-20	-	-	ns
MCLK rising to Valid MDATA	t_{mdv}	-	-40	75	ns
MSYNC falling to MCLK rising	t_{msf}	-20	-	-	ns
Serial Port Timing in SPI Slave Mode					
Serial Clock Frequency	SCK	-	-	4.096	MHz
Serial Clock	Pulse Width High	t_1	100	-	ns
	Pulse Width Low	t_2	100	-	ns

- Notes:
1. Master clock frequencies below 32.768 MHz will affect generated clock frequencies.
 2. Specified using 10% and 90% points on waveform of interest. Output loaded with 50 pF.

SWITCHING CHARACTERISTICS (Continued)

Parameter	Symbol	Min	Typ	Max	Unit
MOSI Write Timing					
$\overline{\text{SS}}\overline{\text{I}}$ Enable to Valid Latch Clock	t_3	50	-	-	ns
Data Set-up Time Prior to SCK Rising	t_4	50	-	-	ns
Data Hold Time After SCK Rising	t_5	100	-	-	ns
SCK Falling Prior to $\overline{\text{SS}}\overline{\text{I}}$ Disable	t_6	100	-	-	ns
MISO Read Timing					
$\overline{\text{SS}}\overline{\text{I}}$ Enable to Valid Latch Clock	t_7	-	-	150	ns
SCK Falling to New Data Bit	t_8	-	-	150	ns
$\overline{\text{SS}}\overline{\text{I}}$ Rising to MISO Hi-Z	t_9	-	-	150	ns


Figure 1. MOSI Write Timing in SPI Slave Mode (Not to Scale)

Figure 2. MISO Read Timing in SPI Slave Mode (Not to Scale)

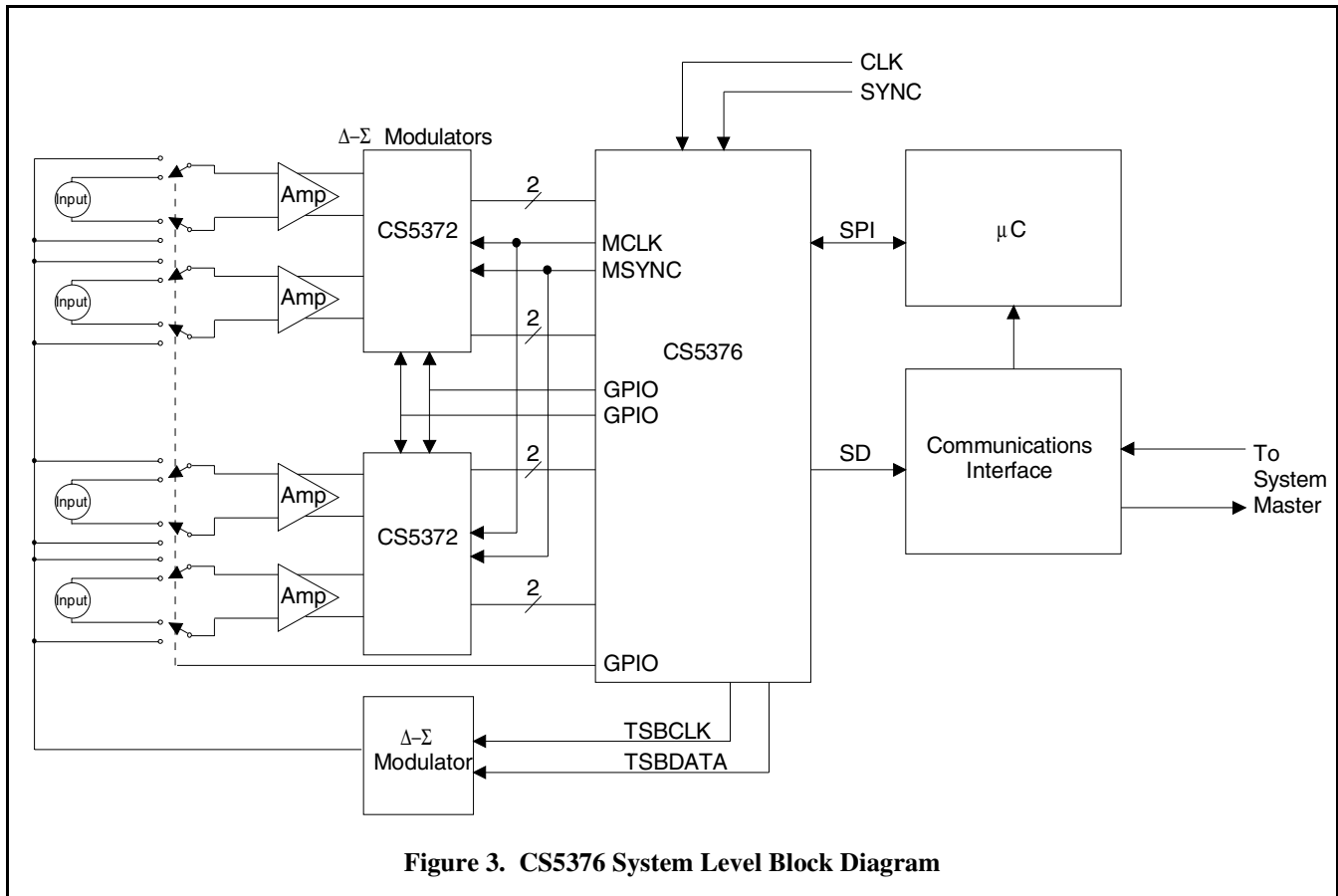


Figure 3. CS5376 System Level Block Diagram

2. GENERAL DESCRIPTION

The CS5376 is a multi-channel digital filter with integrated system peripherals. The digital decimation filter uses a coefficient programmable signal processing architecture to filter up to four $\Delta-\Sigma$ modulator bit streams. An on-chip reference coefficient set is included to provide an easy set up for applications that do not require custom digital filter coefficients.

The CS5376 integrated peripherals simplify system design by providing a buffered high speed serial data output port, a test bit stream generator suitable for driving a test DAC, general purpose I/O pins for local hardware control, a secondary master mode SPI port for serial peripherals, and a JTAG port for boundary scan testing. In addition, a clock and synchronization block synchronizes the CS5376 to the host system, and a time break controller generates

timing reference information in the output data stream.

2.1 System Configurations

Coprocessor or Stand-Alone Configurations

Figure 3 illustrates a simplified block diagram of the CS5376 in a multi-channel system architecture. This diagram shows the CS5376 in coprocessor mode, where an external microcontroller operates as the local host. The microcontroller writes configuration commands and filter coefficients into the CS5376 from non-volatile memory or from the communications channel. This system configuration allows the microcontroller to change the filtering function of the CS5376 when instructed to do so by the system controller.

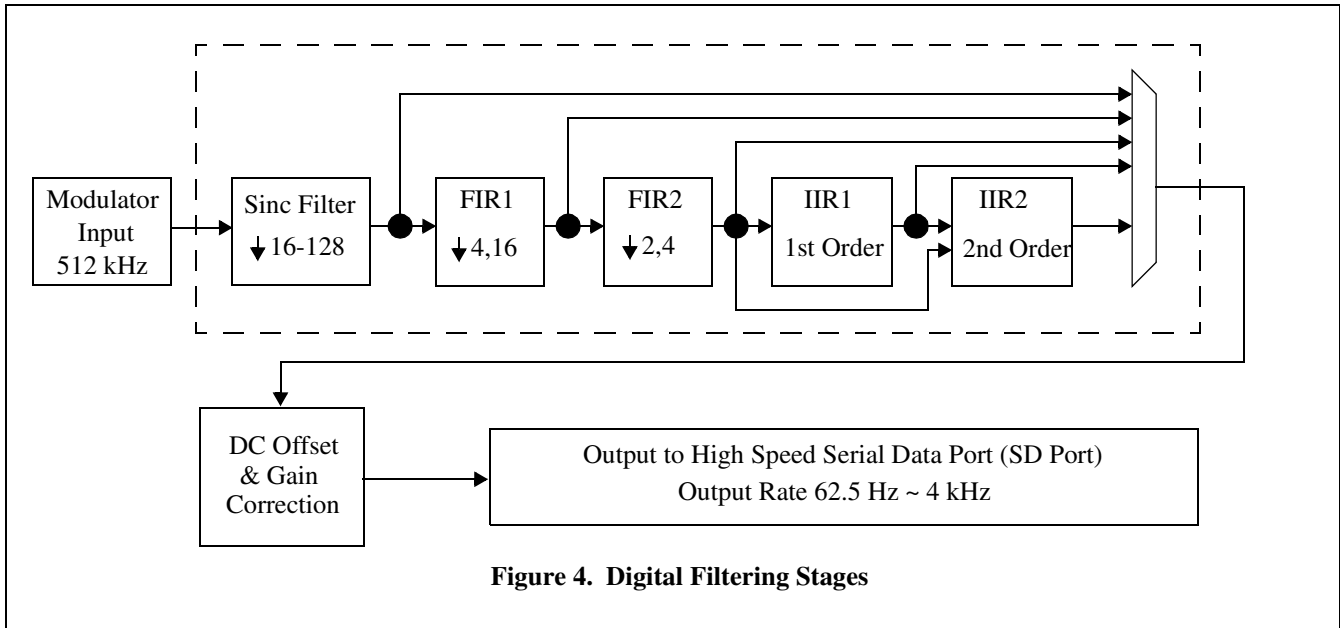


Figure 4. Digital Filtering Stages

Alternately, the CS5376 can be used in stand-alone mode, where a configuration EEPROM replaces the microcontroller. The CS5376 reads configuration commands and filter coefficients directly from EEPROM, and then enters a fixed operational state. The stand-alone configuration simplifies system design by eliminating the CS5376 to microcontroller interface.

2.2 Digital Filter Description

Multi-Stage Signal Processing Architecture

The CS5376 has a multi-stage signal processing architecture consisting of a hardware sinc filter, two FIR filters, and a selectable 1st, 2nd, or 3rd order IIR filter. The filter architecture is flexible, with the capability to bypass later filter stages and output data immediately following any filter. Figure 4 illustrates the digital filter stages of the CS5376.

The digital filters have decimation ratios that can achieve data output word rates (OWRs) between 62.5 sps and 4000 sps. Figure 5 lists the standard OWRs and their associated output periods. Slower output word rates can be achieved by scaling down the master clock input.

Programmable or Fixed Coefficients

The CS5376 is designed to load custom filter coefficients and other configuration information via the SPI 1 serial port from either a microcontroller or a configuration EEPROM.

The programmed FIR filter coefficients can implement any type of finite impulse response filter. Linear phase, minimum phase, phase compensation, or other complex filter types can be used depending on the application requirements. The programmed IIR filter coefficients can implement a 1st, 2nd, or

Output Word Rate (OWR)	Output Period
4000 sps	0.25 ms
2000 sps	0.5 ms
1000 sps	1.0 ms
500 sps	2.0 ms
333.3 sps	3.0 ms
250 sps	4.0 ms
125 sps	8.0 ms
62.5 sps	16.0 ms

Figure 5. Digital Filter OWRs

3rd order infinite impulse response filter with any corner frequency in the measurement bandwidth.

A set of on-chip FIR and IIR coefficients are included in the CS5376 to provide an easy set up for applications that do not require custom filter coefficients. These coefficients have excellent filtering characteristics, with the low-pass FIR filters having a corner frequency at 40% f_s , in-band ripple less than ± 0.01 dB, and stop-band attenuation greater than 130 dB. The high-pass IIR filter provides a 3rd order Butterworth response with a corner frequency at 2% f_s .

Programmable Gain and Offset Correction

The final operation of the digital filter is to apply a user defined gain and offset correction to the output data. The gain correction value is independently programmable for each channel and is used to normalize sensor gain across a network. Similarly, the offset correction is independently programmable for each channel and is used to correct for DC offset in a sensor. The CS5376 also includes a built in offset calibration routine that will calculate offset correction values automatically.

2.3 Integrated Hardware Peripherals

High Speed Serial Data Output Port

After filtering is completed, each 24-bit output sample is combined with an 8-bit status word that encodes the channel number, a time break flag, and any error conditions. This 32-bit data word is written to an 8-deep FIFO buffer and then transmitted on request to the communications interface through the high speed serial data output port. In a typical system, the communication interface will be a proprietary design.

Test Bit Stream Generator

The CS5376 includes a programmable test bit stream (TBS) generator that produces a 1-bit Δ - Σ modulated bitstream with 24-bits of precision, suit-

able for driving a test DAC to verify the analog performance of the conversion channel. The TBS generator also includes an internal digital loopback option so the digital filters and communication interface can be tested independently of the analog circuitry. The TBS generator can easily be programmed to produce a number of test signals using the included 1024 point sine wave data table. By writing a single configuration register many common test frequencies can be generated, including 31.25 Hz, 50.0 Hz, and 125.0 Hz. Custom test signal frequencies can be generated by writing a new sine wave data table.

Secondary SPI Port

A secondary master mode SPI 2 port allows serial peripherals to be controlled through the primary SPI 1 port. The CS5376 acts as an arbiter to conduct transactions between the communications interface connected to the primary SPI 1 port and serial peripherals connected to the secondary SPI 2 port. This simplifies system design by requiring only one SPI connection to the communication interface to control the CS5376 and multiple serial peripherals.

General Purpose I/O Pins

Twelve general purpose I/O pins on the CS5376 can be used for local hardware control or as chip selects for the SPI ports. These pins are independently programmable as inputs or outputs, with or without an internal pull-up resistor.

JTAG Test Port

The CS5376 includes a standard IEEE 1149.1 JTAG test port for system level testing via boundary scan.

Clock and Synchronization Block

A clock and synchronization block in the CS5376 establishes synchronous timing when used in a distributed measurement network. An input SYNC signal from the host system resets the modulator

sampling instant, digital filter phase, and test bit-stream phase to ensure measurement timing is consistent across the network.

Time Break Controller

The CS5376 time break controller places a timing reference flag in the status bits of the digital filter output word. This timing reference flag is used to mark measurement events in the digital data, or as a digital sync to align multiple data streams during post-processing. An externally generated TIMEB signal starts a programmable sample counter (used to correct for digital filter group delay), and when it expires the time break flag is set in the next output data word.

2.4 Register Descriptions

Decimation Engine Registers

Hardware functions and digital filter settings in the

CS5376 are controlled by registers in the decimation engine. A summary of decimation engine registers is shown in Figure 6 on page 12. See “Decimation Engine Registers” on page 99 for a detailed listing of all decimation engine register bit settings.

SPI 1 Registers

Decimation engine registers are not directly accessible to the communication interface. Instead, they are indirectly read and written using SPI 1 registers. See “Serial Peripheral Interface 1” on page 21 for a description of how to use the SPI 1 port to access decimation engine registers.

Each 24-bit SPI 1 register is divided into three 8-bit registers consisting of a high, mid, and low byte. A summary of SPI 1 registers is shown in Figure 6 on page 12. See “SPI 1 Registers” on page 94 for a detailed listing of all SPI 1 register bit settings.

Decimation Engine Registers

Name	Addr.	Type	# Bits	Description
CONFIG	00	R/W	24	Decimation Engine Configuration
RESERVED	01-0D	R/W	24	Reserved
GPCFG0	0E	R/W	24	GPIO[7:0] Direction, Pullup Enable, and Data
GPCFG1	0F	R/W	24	GPIO[11:8] Direction, Pullup Enable, and Data
SPI2CTRL	10	R/W	24	SPI 2 Configuration
SPI2CMD	11	R/W	16	SPI 2 Command
SPI2DAT	12	R/W	24	SPI 2 Data
RESERVED	13-1F	R/W	24	Reserved
FILT_CFG	20	R/W	24	Filter Configuration
GAIN1	21	R/W	24	Gain Correction Channel 1
GAIN2	22	R/W	24	Gain Correction Channel 2
GAIN3	23	R/W	24	Gain Correction Channel 3
GAIN4	24	R/W	24	Gain Correction Channel 4
OFFSET1	25	R/W	24	Offset Correction Channel 1
OFFSET2	26	R/W	24	Offset Correction Channel 2
OFFSET3	27	R/W	24	Offset Correction Channel 3
OFFSET4	28	R/W	24	Offset Correction Channel 4
TIMEBRK	29	R/W	24	Time Break Counter Configuration
TBS_CFG	2A	R/W	24	Test Bit Stream Configuration
WD_CFG	2B	R/W	24	Watchdog Counter Configuration
SYSTEM1	2C	R/W	24	User Defined System Register 1
SYSTEM2	2D	R/W	24	User Defined System Register 2
VERSION	2E	R/W	24	Hardware Version ID
SELFTEST	2F	R/W	24	Self-Test Result Code

SPI 1 Registers

Name	Addr.	Type	# Bits	Description
SPI1CTRL	00 - 02	R/W	8, 8, 8	SPI 1 Control Register
SPI1CMD	03 - 05	R/W	8, 8, 8	DE <-> SPI 1 Command
SPI1DAT1	06 - 08	R/W	8, 8, 8	DE <-> SPI 1 Data 1
SPI1DAT2	09 - 0B	R/W	8, 8, 8	DE <-> SPI 1 Data 2

Figure 6. Decimation Engine and SPI 1 Registers

3. SYSTEM DESIGN

System issues to consider when designing with the CS5376 include power supply voltages, distribution of clock and synchronization signals, connections for EEPROM reprogramming, connections for boundary scan testing, and extra circuitry required for functional tests.

3.1 Power Supply Voltages

The CS5376 has three sets of power supply inputs. Two sets supply power to the I/O pins of the chip (VDD1, VDD2), and the third set supplies power to the logic core (VD). The I/O pin power supplies determine the maximum input and output voltages when interfacing to peripherals, and the logic core power supply determines the power consumption of the CS5376.

The voltage choice for a specific power supply depends on two considerations.

1) Available voltages.

It's simpler to drive all power supplies from a single 5 V or 3.3 V supply if it's already available in the design. This reduces system cost by eliminating additional voltage regulators. Power sensitive applications, however, will require a 3 V supply into the logic core to minimize power consumption.

2) Required interface voltages.

The two I/O pin power supplies are separated into a 'modulator side' and a 'microcontroller side'. If some elements in the design are specified to interface at 5 V and other elements in the design are specified to interface at another voltage, 3.3 V for example, the I/O pin power supplies can be independently driven to match.

VDD1, GND1 - Pins 54, 53

This I/O pin power supply sets the interface voltage to the microcontroller, communications channel, and related peripherals.

Pins driven by the VDD1 power supply are:

- $\overline{\text{RESET}}$, BOOT, CLK, SYNC, TIMEB
- $\overline{\text{SSI}}$, SCK1, MOSI, MISO, $\overline{\text{SINT}}$, $\overline{\text{SSO}}$
- SDTKI, $\overline{\text{SDRDY}}$, SDCLK, SDDAT, SDTKO
- GPIO6 - GPIO11
- $\overline{\text{TRST}}$, TMS, TCK, TDI, TDO

VDD2, GND2 - Pins 11, 25, 24, 38

This I/O pin power supply sets the interface voltage to the modulators, test DAC, and related peripherals.

Pins driven by the VDD2 power supply are:

- MDATA1 - MDATA4, MFLAG1 - MFLAG4
- MCLK, MCLK/2, MSYNC
- SCK2, SI1 - SI4, SO
- TBSCLK, TBSDATA
- GPIO0 - GPIO5

VD, GND - Pins 7, 40, 6, 23, 39

This power supply sets the operational voltage for the CS5376 logic core. Lowering this voltage to 3 V will minimize power consumption.

3.1.1 Bypass Capacitors

All power supply pins should be bypassed to provide noise immunity. The bypass capacitors should be placed as close as possible to the pins of the CS5376, between the power supply pin and its associated ground. Suggested values for bypass capacitors are two parallel caps of 1 μF and 0.01 μF , or a single cap of 0.1 μF . Bypass capacitors can be ceramic, tantalum, or any other dielectric type.

3.2 Clock and Synchronization Signals

Many applications of the CS5376 will use a multi-channel distributed measurement network. To be useful, data collection must occur with synchronous timing between the measurement channels.

Careful design of a clock distribution and synchronization network is crucial for keeping these timing relationships consistent.

CLK - Pin 58

The CS5376 master clock pin, CLK, has a nominal input frequency of 32.768 MHz. A slower master clock can be used if the frequencies from the generated clocks (MCLK, MCLK/2, SCK1, SCK2, and TBSCLK) are permitted to run slower. The CS5376 is a fully static design and can have the master clock gated off to place the system in a low-power standby mode.

3.2.1 Master Clock Jitter and Skew

The clock distribution network should supply a low-jitter, low-skew master clock signal. Clock jitter on the master clock pin, CLK, will result in jitter on all generated clocks. Jitter on the modulator clocks (MCLK, MCLK/2) and the test bit stream clock (TBSCLK) will cause inaccurate conversions of analog-to-digital and digital-to-analog signals. Great care should be taken to ensure recovered clocks have as low jitter as possible.

Clock skew across a measurement network will cause inaccurate results when reconstructing measurement data during post-processing. By making measurements at slightly different instants in time, sensors with clock skew between them cause signals to appear slower or faster than reality. A good measurement network design should minimize clock skew.

3.2.2 Synchronization Jitter and Skew

Similar problems face the distribution of the SYNC signal. The SYNC input on the CS5376 aligns the internal clock edges and digital filter phase to the external system, establishing a precise timing relationship across the measurement network. Jitter and skew on the input SYNC signal will result in phase errors in the CS5376 digital filter data.

The SYNC signal is also used to generate the MSYNC signal to the modulators. The MSYNC signal synchronizes the modulator sampling instant and ensures all modulators are operating with identical timing across the network. Since the sampling instant is defined by the MSYNC signal, errors generating the SYNC signal will result in measurement timing errors by the modulators.

See “System Synchronization” on page 77 for more information on synchronizing the CS5376 measurement system.

3.3 EEPROM Programming

The CS5376 in stand-alone mode automatically boots from EEPROM after reset. The configuration EEPROM holds the commands and data needed to initialize the system into a fixed operational state. If stand-alone boot mode is used, the system should include a way to address the configuration EEPROM for in-circuit reprogramming. This can be performed locally by a technician through a connector, or remotely through the communications channel.

See “Serial Peripheral Interface 1” on page 21 for more information about booting the CS5376 using an EEPROM.

3.4 Boundary Scan Testing

During system design and in the field, in-circuit testing is a valuable diagnostic tool. The CS5376 JTAG test port enables boundary scan testing by providing access to all pins via internal boundary scan cells. To use the JTAG test port, a system design must provide in-circuit access to the CS5376 JTAG pins ($\overline{\text{TRST}}$, TMS, TCK, TDI, and TDO). They can be accessed locally by a technician through a connector, or remotely through the communications channel.

See “JTAG Test Port (IEEE 1149.1)” on page 89 for more information on the JTAG test port.

3.4.1 \overline{TRST} and \overline{RESET} Pins

As required by the IEEE 1149.1 specification, the JTAG reset signal, \overline{TRST} , is independent of the CS5376 reset signal, \overline{RESET} . The status of the \overline{TRST} pin should be considered during system design since the TAP controller must be reset before using the JTAG port.

In systems not using the JTAG test port, the \overline{TRST} pin can be connected directly to the \overline{RESET} pin, or can be connected to ground. In systems using the JTAG test port, the \overline{TRST} and \overline{RESET} pins should be independently driven to provide reset capability during boundary scan.

3.5 Functional Testing

While boundary scan testing gives the ability to check connections between circuit elements, testing the functionality of the circuit elements themselves requires operation of the measurement channel.

3.5.1 Analog Test DAC

To test the full signal path of a CS5376 system, an analog test signal should be applied to the modulator inputs. The CS5376 provides a test bit stream generator that produces a Δ - Σ bit stream suitable for driving an external test DAC. The analog output signal from the DAC can be multiplexed to the inputs of the measurement channel through relays or analog multiplexers. Switching the analog test signal into the measurement channel is typically performed on command from the communication channel, and requires appropriate control signals to be defined during system design.

Included as part of the CS5376 test bit stream generator is an internal feedback path into the digital filters. This loopback mode provides a fully digital signal path to test the digital filters and communications interface. If this is the only test mode used, no external circuitry is required.

See “Test Bit Stream Generator” on page 81 for more information about using the test bit stream generator.

3.5.2 Step Input and Group Delay

Characterizing the step response of a combination analog and digital measurement channel can be difficult. A simple method to empirically measure the step response and group delay through the analog and digital portions of a CS5376 measurement channel is to use the time break signal as both a timing reference and an analog step input. This test requires the system design to include relays or analog multiplexers to connect the time break signal to the analog inputs.

See “Time Break Function” on page 75 for more information about the time break signal.

3.6 System Registers

Several registers are included in the CS5376 for system information.

The VERSION register (0x2E) in the decimation engine holds hardware version ID information.

Two registers in the decimation engine, SYSTEM1 and SYSTEM2 (0x2C, 0x2D), are provided for user defined system information. These are general purpose registers and will hold any 24-bit data values written to them.

3.6.1 *VERSION Register - 0x2E*

Figure 7. Hardware Version ID Register VERSION

(MSB) 23	22	21	20	19	18	17	16
TYPE7	TYPE6	TYPE5	TYPE4	TYPE3	TYPE2	TYPE1	TYPE0
R/W	R/W	R/W	R/W	R/W	R/W	R/W	R/W
0	1	1	1	0	1	1	0

15	14	13	12	11	10	9	8
HW7	HW6	HW5	HW4	HW3	HW2	HW1	HW0
R/W	R/W	R/W	R/W	R/W	R/W	R/W	R/W
0	0	0	0	0	0	0	1

7	6	5	4	3	2	1	(LSB) 0
ROM7	ROM6	ROM5	ROM4	ROM3	ROM2	ROM1	ROM0
R/W	R/W	R/W	R/W	R/W	R/W	R/W	R/W
0	0	0	0	0	0	0	1

I/O Address: 0x2E

-- Not defined;
read as 0

R Readable
W Writable
R/W Readable and
Writable

Bits in bottom rows
are reset condition

Bit definitions:

23:16	TYPE [7:0]	Chip Type 76 - CS5376	15:8	HW [7:0]	Hardware Revision 01 - Rev A	7:4	ROM [7:0]	ROM Version 01 - Ver 1.0
-------	---------------	--------------------------	------	-------------	---------------------------------	-----	--------------	-----------------------------

3.6.2 SYSTEM1, SYSTEM2 Registers - 0x2C, 0x2D

Figure 8. User Defined System Register SYSTEM1

(MSB) 23	22	21	20	19	18	17	16
SYS23	SYS22	SYS21	SYS20	SYS19	SYS18	SYS17	SYS16
R/W	R/W	R/W	R/W	R/W	R/W	R/W	R/W
0	0	0	0	0	0	0	0

15	14	13	12	11	10	9	8
SYS15	SYS14	SYS13	SYS12	SYS11	SYS10	SYS9	SYS8
R/W	R/W	R/W	R/W	R/W	R/W	R/W	R/W
0	0	0	0	0	0	0	0

7	6	5	4	3	2	1	(LSB) 0
SYS7	SYS6	SYS5	SYS4	SYS3	SYS2	SYS1	SYS0
R/W	R/W	R/W	R/W	R/W	R/W	R/W	R/W
0	0	0	0	0	0	0	0

I/O Address: 0x2C	
--	Not defined; read as 0
R	Readable
W	Writable
R/W	Readable and Writable
Bits in bottom rows are reset condition	

Bit definitions:

23:16	SYS[23:16]	System Register Upper Byte	15:8	SYS[15:8]	System Register Middle Byte	15:8	SYS[7:0]	System Register Lower Byte
-------	------------	-------------------------------	------	-----------	--------------------------------	------	----------	-------------------------------

4. RESET CONTROL

When the $\overline{\text{RESET}}$ signal is released, the CS5376 automatically performs a series of self-tests. Depending on the state of the BOOT pin, it then either actively boots from EEPROM or waits for configuration information to be written by a microcontroller.

4.1 Reset Pin Descriptions

$\overline{\text{RESET}}$ - Pin 55

$\overline{\text{RESET}}$ is an active low signal that places the CS5376 into a reset state when asserted.

BOOT - Pin 56

The BOOT signal selects how the CS5376 loads configuration information. The logic state of this pin is latched 1 μs after $\overline{\text{RESET}}$ is released to select between coprocessor or stand-alone boot modes. A logical low selects coprocessor boot mode, a logical high selects stand-alone boot mode.

4.2 Boot Configurations

When booting in coprocessor mode, a microcontroller or other SPI bus master is required to write configuration information. When booting in stand-alone mode, the CS5376 reads configuration information from EEPROM and no microcontroller is required. A hybrid mode can also be used which reads an initial configuration from EEPROM and then writes changes using a microcontroller.

Coprocessor Mode

Coprocessor mode is designed for systems required to run multiple configurations from a common set of hardware. The ability to change configurations in real time gives maximum flexibility in the field.

This mode requires a microcontroller or other SPI bus master to be connected to the CS5376 SPI 1 port. The microcontroller can rewrite the filter coefficients, change the filter output stage, enable and disable the test bit stream, and manually update the

gain and offset correction values during operation. To set the CS5376 configuration, the microcontroller writes a series of command and data values to the decimation engine through the SPI 1 port. See “Serial Peripheral Interface 1” on page 21 for more information on connecting a microcontroller to the SPI 1 port.

Stand-Alone Mode

If the CS5376 is designed into a system with a fixed configuration, no microcontroller is required. Stand-alone mode boots from EEPROM to a fixed configuration and immediately begins operation. The EEPROM contains all configuration information including filter coefficients, register settings, and test bit stream data.

It might not be possible to know the gain and offset correction values in advance of deploying a system. If the configuration EEPROM is in-circuit reprogrammable, the system can be booted with offset and gain correction disabled and the appropriate correction values calculated. The new correction values can then be programmed into the EEPROM and the CS5376 re-booted with gain and offset correction enabled.

See “Serial Peripheral Interface 1” on page 21 for more information on booting from a configuration EEPROM, and the format required for EEPROM data.

Hybrid Mode

A boot configuration that requires more engineering effort to implement is a hybrid coprocessor / stand-alone boot mode. In hybrid mode the CS5376 initially boots in stand-alone mode from a configuration EEPROM. After booting, a microcontroller updates the configuration information in coprocessor mode by writing commands to the decimation engine through the SPI 1 port.

Hybrid mode is more complex at the system level because it requires the ability to tri-state the micro-

controller to SPI 1 connection during the initial EEPROM boot. After the initial configuration is loaded, the microcontroller seizes control of the SPI 1 port and updates the configuration as required. The EEPROM will not interfere with microcontroller to SPI 1 transactions provided the initial stand-alone boot was completed.

Updated configuration information from the microcontroller can not be written until the EEPROM boot loader has relinquished control of the SPI 1 port. To guarantee this, the microcontroller should monitor the CS5376 CS11 / GPIO11 pin into the EEPROM for inactivity, or simply wait the maximum time required to boot from EEPROM. The required boot time from EEPROM depends on the number of coefficients written, the number of registers written, and if test bit stream data is written.

A final requirement for hybrid boot mode is the ability to address both the CS5376 and the configuration EEPROM. When writing to the CS5376 SPI 1 port, serial transactions use an 8-bit address. Supported serial EEPROMs, however, require serial transactions to use 16-bit addressing. If a microcontroller is to interface with the CS5376 and also be able to in-circuit reprogram the configuration EEPROM, the serial port connection must support both addressing modes.

See “Serial Peripheral Interface 1” on page 21 for information about connections to the SPI 1 port, the format required for EEPROM data, and the SPI 1 commands available for updating the configuration.

4.3 Reset Self-Tests

After the reset signal is de-asserted but before the CS5376 starts the boot operation, a series of self test are run. These tests check the operation of the decimation engine and report pass/fail codes in the SELFTEST register (0x2F). The full suite of self tests require approximately 60ms to complete.

Program ROM Test

This self-test calculates a checksum from the contents of program ROM and compares against an expected value. The result of this test is 0x00000A if passed or 0x00000F if failed.

Data ROM Test

This self-test calculates a checksum from the contents of data ROM and compares against an expected value. The result of this test is 0x0000A0 if passed or 0x0000F0 if failed.

Program RAM Test

This self-test writes a series of patterns into the program RAM and compares against expected read values. The result of this test is 0x000A00 if passed or 0x000F00 if failed.

Data RAM Test

This self-test writes a series of patterns into the data RAM and compares against expected read values. The result of this test is 0x00A000 if passed or 0x00F000 if failed.

Execution Unit Test

This self-test exercises the execution unit with a sequence of calculations, comparing against expected values. The result of this test is 0x0A0000 if passed or 0x0F0000 if failed.

4.3.1 SELFTEST Register - 0x2F

Figure 9. Self Test Result Register SELFTEST

(MSB) 23	22	21	20	19	18	17	16
--	--	--	--	EU3	EU2	EU1	EU0
R/W	R/W	R/W	R/W	R/W	R/W	R/W	R/W
0	0	0	0	1	0	1	0

15	14	13	12	11	10	9	8
DRAM3	DRAM2	DRAM1	DRAM0	PRAM3	PRAM2	PRAM1	PRAM0
R/W	R/W	R/W	R/W	R/W	R/W	R/W	R/W
1	0	1	0	1	0	1	0

7	6	5	4	3	2	1	(LSB) 0
DROM3	DROM2	DROM1	DROM0	PROM3	PROM2	PROM1	PROM0
R/W	R/W	R/W	R/W	R/W	R/W	R/W	R/W
1	0	1	0	1	0	1	0

I/O Address: 0x2F

-- Not defined;
read as 0

R Readable

W Writable

R/W Readable and
Writable

Bits in bottom rows
are reset condition

Bit definitions:

23:20	--	reserved	15:12	DRAM [3:0]	Data RAM Test 'A': Pass 'F': Fail	7:4	DROM [3:0]	Data ROM Test 'A': Pass 'F': Fail
19:16	EU [3:0]	Execution Unit Test 'A': Pass 'F': Fail	11:8	PRAM [3:0]	Program RAM Test 'A': Pass 'F': Fail	3:0	PROM [3:0]	Program ROM Test 'A': Pass 'F': Fail

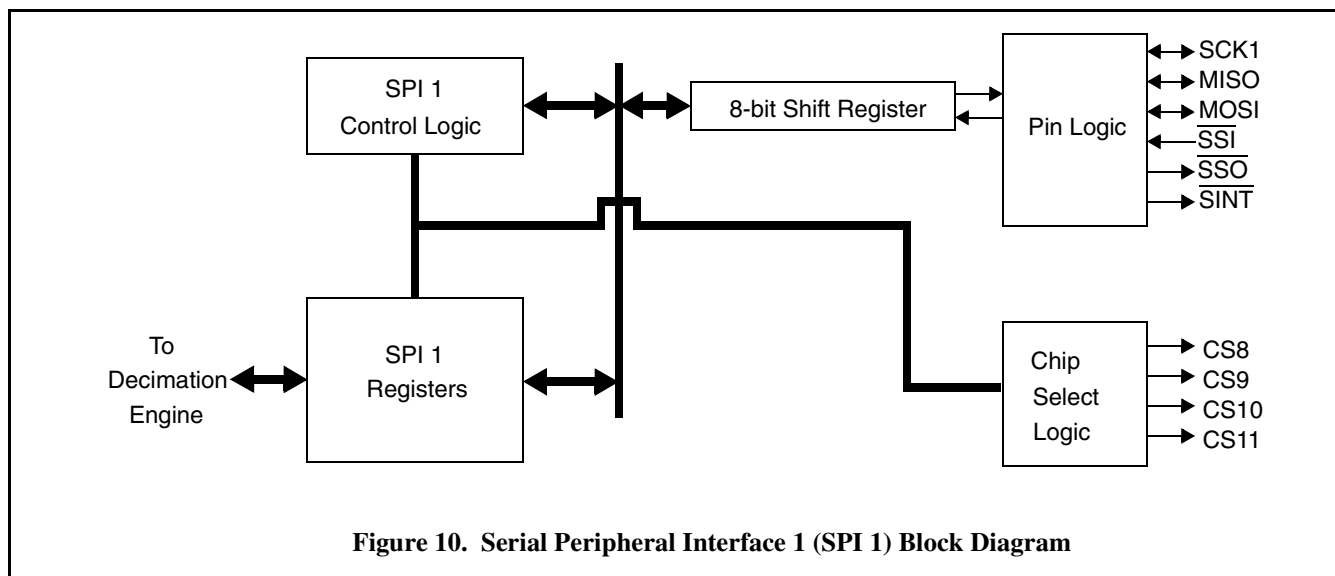


Figure 10. Serial Peripheral Interface 1 (SPI 1) Block Diagram

5. SERIAL PERIPHERAL INTERFACE 1

The Serial Peripheral Interface 1 (SPI 1) port is an industry standard master / slave SPI interface, and is the primary interface to the CS5376 decimation engine. The port operates as an SPI bus master when booting from a configuration EEPROM in stand-alone mode, and as an SPI slave when communicating with a microcontroller in coprocessor mode.

Master Mode

The SPI 1 port operates in master mode only while loading configuration information from EEPROM during stand-alone boot mode. In this mode the CS5376 actively initiates serial transactions to read configuration register values, digital filter coefficients, and test bit stream data from EEPROM memory. After booting from EEPROM, the SPI 1 port reverts to slave mode to interface with a microcontroller, if present.

Master mode serial transactions in the CS5376 generate a chip select output on the CS11 / GPIO11 pin, and a serial clock output on the SCK1 pin. Serial data is output from the CS5376 on the MOSI pin, and input from the EEPROM on the MISO pin.

To be compatible with many serial EEPROMs, transactions in master mode use 16-bit addresses, different from the 8-bit addresses required when accessing the CS5376 in slave mode.

Slave Mode

When booting from a microcontroller in coprocessor mode, or after booting from EEPROM in stand-alone mode has completed, the SPI 1 port operates in slave mode. In slave mode the CS5376 is passive, with serial transactions initiated by a microcontroller or other SPI bus master. The microcontroller uses SPI 1 commands to write configuration register values, digital filter coefficients, and test bit stream data from a local memory or from the communications channel.

Slave mode serial transactions require the microcontroller to use the \overline{SS} pin as the CS5376 chip select, and to generate a serial clock input on the SCK1 pin. Serial data is received from the microcontroller on the MOSI pin, and output from the CS5376 on the MISO pin.

When pulled low the \overline{SS} pin (Slave Select Input) places the SPI 1 port into a default configuration that requires 8-bit addresses, different from the 16-

bit addresses generated when accessing an EEPROM in master mode.

5.1 SPI 1 Pin Descriptions

The Serial Peripheral Interface 1 port is a standard 3-wire, bidirectional, synchronous serial interface. The SCK1, MISO, and MOSI pins, along with either the CS11 or $\overline{\text{SS}}\text{I}$ chip select pins, are used to interface the decimation engine of the CS5376 to external serial devices. Several miscellaneous pins, $\overline{\text{SINT}}$, $\overline{\text{SSO}}$, and CS8 - CS10 are not used but are defined to make the SPI 1 port extensible in the future.

CS11 - Pin 46

Master mode chip select output pin, active low. EEPROM chip select signal automatically generated when booting in stand-alone mode.

$\overline{\text{SS}}\text{I}$ - Pin 49

Slave mode chip select input pin, active low. Chip select signal that places the SPI 1 port into slave mode to receive commands from a microcontroller.

SCK1 - Pin 48

Master mode serial clock output, slave mode serial clock input. In both modes a serial clock rising edge indicates valid data, a falling edge indicates a data transition.

In master mode the SCK1 pin is an output that generates a serial clock to read data from the configuration EEPROM. The serial clock output rate in master mode defaults to 1.024 MHz.

In slave mode the SCK1 pin is an input that receives a serial clock from a microcontroller. The serial clock input rate in slave mode can be any rate up to a maximum of 4.096 MHz.

MOSI - Pin 51

Master Out, Slave In data pin. Data output in master mode, data input in slave mode. Data is valid on

the rising edge of SCK1, and transitions on the falling edge.

MISO - Pin 50

Master In, Slave Out data pin. Data input in master mode, data output in slave mode. Data is valid on the rising edge of SCK1, and transitions on the falling edge.

$\overline{\text{SINT}}$ - Pin 52

SPI 1 interrupt output pin, active low. A pulsed output indicates data was written to the SPI 1 registers by the decimation engine. Not used by CS5376 rev A, reserved for future revisions.

$\overline{\text{SSO}}$ - Pin 47

Slave select output pin, active low. Chip select output that mirrors the $\overline{\text{SS}}\text{I}$ pin. Not used by CS5376 rev A, reserved for future revisions.

CS8 - CS10 - Pins 43 - 46

Additional chip selects for SPI 1 master mode. Not used by CS5376 rev A, reserved for future revisions.

5.2 SPI 1 Stand-Alone Mode

In stand-alone mode, the SPI 1 port operates as an SPI bus master to load configuration information from an EEPROM. Commands to write configuration registers, filter coefficients, and test bit stream data are programmed into the EEPROM along with the required data words.

The CS5376 automatically reads 1-byte command and 3-byte data words from EEPROM memory until the 'Filter Start' command is received. The 'Filter Start' command initializes the CS5376 digital filters and places the SPI 1 port into slave mode. See "SPI 1 Coprocessor Mode" on page 27 for more information about SPI 1 slave mode.

5.2.1 EEPROM Organization

The configuration EEPROM is programmed with a series of command and data values. Commands are one byte (8-bit) values that select the type of EEPROM loader operation. Data words are three byte (24-bit) values used by the EEPROM loader.

The CS5376 expects EEPROM programming to start at memory location 0x10, with the bytes from 0x00 to 0x0F defined for manufacturing header information. The first CS5376 to EEPROM transaction reads a 1-byte command from memory location 0x10. Depending on the command type, multiple 3-byte data words are read to complete the command. The CS5376 continues reading command and data values until the ‘Filter Start’ command is recognized. Figure 11 illustrates the organization of an 8 Kbyte (64 Kbit) configuration EEPROM.

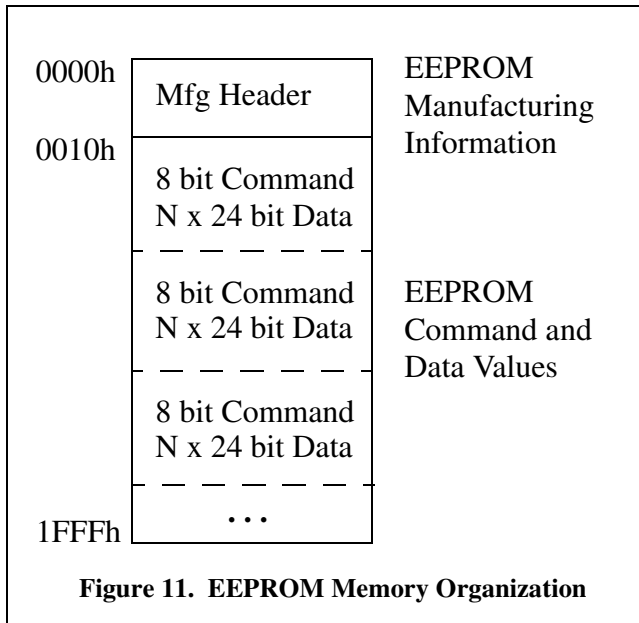


Figure 11. EEPROM Memory Organization

The maximum data that can be written for a single configuration is approximately 5 Kbyte (40 Kbit), which includes command overhead:

- 22 Configuration Registers, 154 bytes
- 255 + 255 FIR Coefficients, 1537 bytes
- 3 + 5 IIR Coefficients, 25 bytes
- 1024 Test Bit Stream Data, 3076 bytes
- Filter Start Command, 1 byte

Supported serial configuration EEPROMs are SPI mode 0 (0,0) compatible, 16-bit addresses, 8-bit data, and larger than 5 Kbyte. ATMEL AT25640, AT25128, or similar serial EEPROMs are recommended.

5.2.2 EEPROM Commands

The configuration EEPROM contains a series of 1-byte command and 3-byte data words. After an EEPROM command is read, multiple data words are read to complete the programmed operation. Not all EEPROM commands require additional data words.

EEPROM commands can write decimation engine registers, write FIR filter coefficients, write IIR filter coefficients, write test bitstream data, and start the digital filters. A summary of available EEPROM commands is shown in Figure 12 on page 24.

Write Register - 0x01

Type	Description
CMD	0x01 - Register Write Command
DATA	Register Address
DATA	Register Write Data

This EEPROM command writes a data value to the specified decimation engine register. Decimation engine registers control hardware and filtering functions. See “Decimation Engine Registers” on page 99 for information about the bit definitions of the decimation engine registers.

EEPROM Command	Command Opcode	Data Format ¹
Nop	0x00	--
Write I/O Register	0x01	Address Write Data
Write FIR Coefficients	0x02	Num FIR1 Coeff Num FIR2 Coeff (FIR Coeff)
Write IIR Coefficients	0x03	(IIR Coeff)
Write ROM Coefficients	0x04	--
Write TBS Data	0x05	Num TBS Data (TBS Data)
Write ROM TBS Data	0x06	--
Filter Start	0x07	--

¹ (data) indicates multiple data words of this type to be written.

Figure 12. EEPROM Boot Loader Commands

Write FIR Coefficients - 0x02

Type	Description
CMD	0x02 - FIR Coefficient Write Cmd
DATA	Number of FIR1 Coefficients
DATA	Number of FIR2 Coefficients
DATA	(FIR Coefficients)

This EEPROM command writes custom coefficients for the FIR1 and FIR2 filters. The first two

data words set the number of FIR1 and FIR2 coefficients to be written. The remaining data words are the concatenated FIR1 and FIR2 coefficients.

A maximum of 255 coefficients can be written for each FIR filter, though the available decimation engine computation cycles will limit their practical size. See “FIR Filters” on page 60 for more information about the FIR filters and the cycle limitations of the decimation engine.

Write IIR Coefficients - 0x03

Type	Description
CMD	0x03 - IIR Coefficient Write Cmd
DATA	IIR Coefficient a11
DATA	IIR Coefficient b10
DATA	IIR Coefficients b11
DATA	IIR Coefficients a21
DATA	IIR Coefficients a22
DATA	IIR Coefficients b20
DATA	IIR Coefficients b21
DATA	IIR Coefficients b22

This EEPROM command uploads custom coefficients for the two stage IIR filter. The IIR architecture and number of coefficients is fixed, so eight data words containing coefficient values immediately follow the command byte. The IIR coefficient write order is: a11, b10, b11, a21, a22, b20, b21, and b22.

The IIR filter consists of a 1st order filter requiring three coefficients (a11, b10, b11) and a 2nd order filter requiring five coefficients (a21, a22, b20, b21, b22). A 3rd order filter is implemented by running both the 1st and 2nd order filters. See “IIR Filter” on page 61 for more information about the IIR filter.

Write ROM Coefficients - 0x04

Type	Description
CMD	0x04 - ROM Coefficient Write Cmd

This EEPROM command writes the on-chip reference coefficients for FIR1, FIR2, IIR 1st order, and IIR 2nd order filters for use by the decimation engine. No data words are required for this EEPROM command. See “Reference Coefficients” on page 63 for more information about the reference FIR and IIR coefficient sets.

Write TBS Data - 0x05

Type	Description
CMD	0x05 - TBS Data Write Cmd
DATA	Number of TBS Data
DATA	(TBS Data)

This EEPROM command uploads a custom data set for the test bit stream (TBS) generator. The first data word sets the number of TBS data to be written and the remaining data words are the TBS data values.

This command, along with the ability to program the test bit stream generator interpolation and clock rate, allows the creation of custom frequency test signals. See “Test Bit Stream Generator” on page 81 for information on generating specific test frequencies using custom test bit stream data sets.

Write ROM TBS Data - 0x06

Type	Description
CMD	0x06 - TBS ROM Data Write Cmd

This EEPROM command writes the on-chip test bit stream (TBS) data for use by the TBS generator. No data words are required for this EEPROM command. See “Test Bit Stream Generator” on page 81 for information on generating test frequencies using the on-chip test bit stream data set.

Filter Start - 0x07

Type	Description
CMD	0x07 - Filter Start Command

This EEPROM command initializes the decimation engine and starts the digital filters. It also ends the EEPROM boot loader operation and places the SPI 1 port into slave mode. No data words are required for this EEPROM command.

After receiving the Filter Start command, the decimation engine uses the filter configuration specified in the FILT_CFG register (0x20) and filter

SPI 1 Read from EEPROM

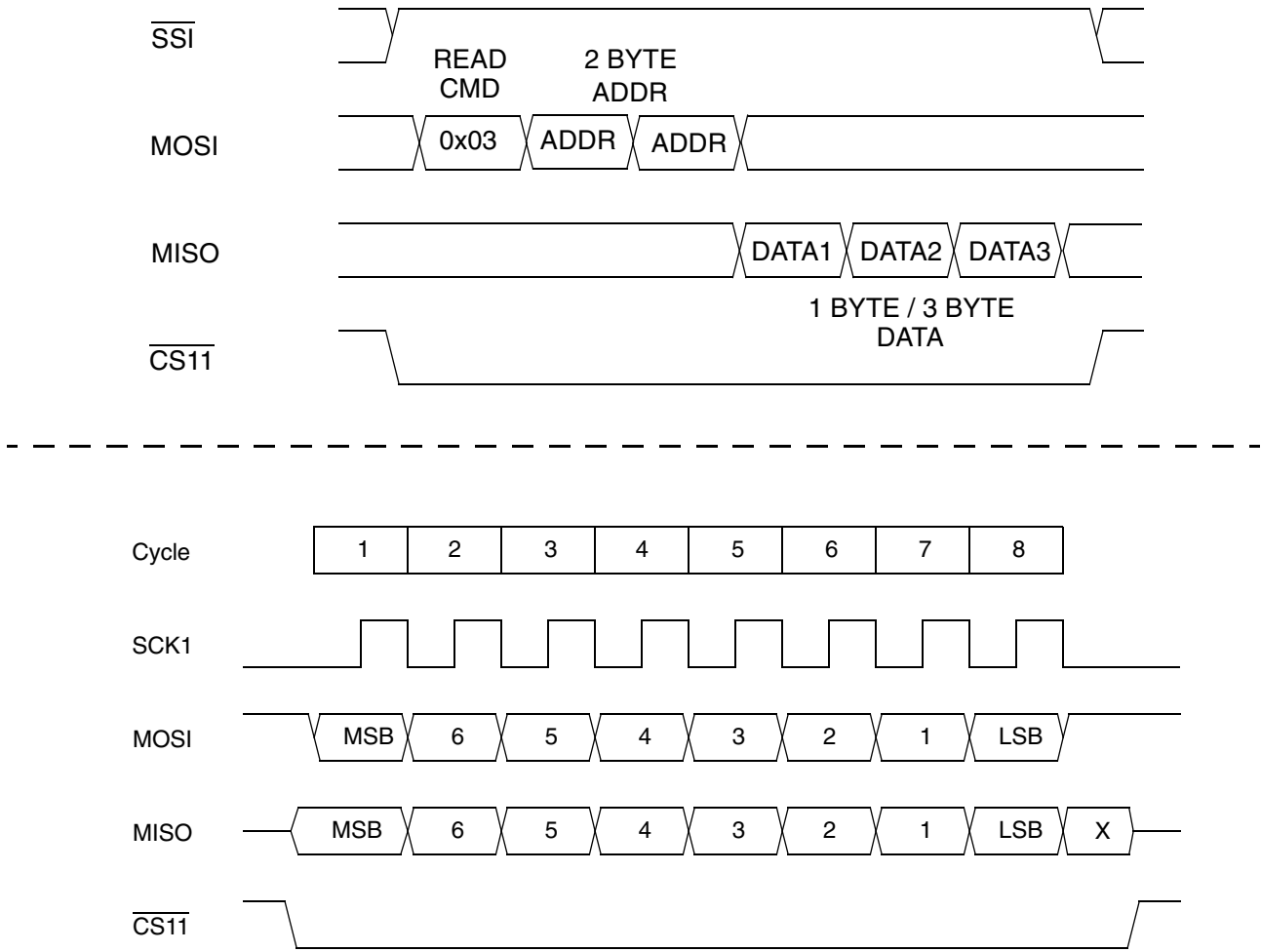


Figure 13. SPI 1 Master Mode Transactions

coefficients specified by prior EEPROM commands.

5.2.3 CS5376 to EEPROM Transactions

When reading data from EEPROM in stand-alone boot mode, the SPI 1 port operates as a bus master. Two types of serial transactions are generated by the CS5376, command reads and data reads. Command reads are 4-byte serial transactions to read a command byte, and data reads are 6-byte serial transactions to read a data word. Master mode

CS5376 to EEPROM transaction timing is shown in Figure 13.

Command Read Transactions

A CS5376 to EEPROM command read transaction reads a 1-byte command from EEPROM memory. It requires a 4-byte serial transaction to complete: a 1-byte SPI ‘read’ opcode (0x03), a 2-byte EEPROM address, and the returned 1-byte command value. Based on the returned command value, the

CS5376 initiates multiple data read transactions to complete the command.

The CS5376 initiates a command read transaction by pulling the CS11 / GPIO11 pin low to act as the EEPROM chip select. It then writes serial clocks to the SCK1 pin, writes the SPI ‘read’ opcode and EEPROM address to the MOSI pin, and reads the returned command value from the MISO pin. All MOSI and MISO data are shifted MSB first, with data valid on the rising edge of SCK1 and transitioning on the falling edge.

Data Read Transactions

A CS5376 to EEPROM data read transaction reads a 3-byte data word from EEPROM memory. It requires a 6-byte serial transaction to complete: a 1-byte SPI ‘read’ opcode (0x03), a 2-byte EEPROM address, and the returned 3-byte data value. Depending on the command type, the CS5376 initiates multiple data reads to complete it.

The CS5376 initiates a data read transaction by pulling the CS11 / GPIO11 pin low to act as the EEPROM chip select. It then writes serial clocks to the SCK1 pin, writes the SPI ‘read’ opcode and EEPROM address to the MOSI pin, and reads the returned data value from the MISO pin. All MOSI and MISO data are shifted MSB first, with data valid on the rising edge of SCK1 and transitioning on the falling edge.

5.3 SPI 1 Coprocessor Mode

In coprocessor mode the CS5376 operates as an SPI slave. A microcontroller or other SPI bus master initiates serial transactions to the SPI 1 port to write configuration information and start the digital filters. Coprocessor mode is the most flexible method of configuring the CS5376 since it permits real time changes to the measurement setup.

The CS5376 digital filters and embedded test functions are configured by writing command and data values to the decimation engine. The decimation engine is not directly addressable through the SPI 1 port, but instead the command and data values are written indirectly through a set of SPI 1 registers. Available SPI 1 coprocessor mode commands can read or write the decimation engine registers, write digital filter coefficients, write test bit stream data, and enable or disable the digital filters.

5.3.1 SPI 1 Registers

Coprocessor mode commands are invoked by writing command and data values to a set of SPI 1 registers. The SPI1CTRL, SPI1CMD, SPI1DAT1, and SPI1DAT2 registers are 24-bit registers mapped into an 8-bit register space as high, mid, and low bytes.

SPI 1 registers are separate from decimation engine registers, with only SPI 1 registers directly addressable by a microcontroller or other SPI bus master. Decimation engine registers are read or written with the ‘Read Register’ or ‘Write Register’ SPI 1 commands.

Name	Addr.	Type	# Bits	Description
SPI1CTRLH	00 - 02	R/W	8, 8, 8	SPI 1 Control Register
SPI1CMDH	03 - 05	R/W	8, 8, 8	DE <-> SPI 1 Command
SPI1DAT1H	06 - 08	R/W	8, 8, 8	DE <-> SPI 1 Data 1
SPI1DAT2H	09 - 0B	R/W	8, 8, 8	DE <-> SPI 1 Data 2

Figure 14. SPI 1 Register Space

5.3.2 SPICTRL Register
Figure 15. SPI Control Register SPI1CTRL

(MSB) 23	22	21	20	19	18	17	16
--	--	SCK1PO	SCK1PH	WOM	SCK1FS2	SCK1FS1	SCK1FS0
R/W1	R/W1	R/W	R/W	R/W	R/W	R/W	R/W
0	0	0	0	1	0	1	1

15	14	13	12	11	10	9	8
SMODF	PROM	DEOP	EMOP	SWEF	SINT	IEN	E2DREQ
R	R/W	R	R	R	R/W	R/W	R/W
0	0	0	0	0	0	0	0

7	6	5	4	3	2	1	(LSB) 0
DNUM2	DNUM1	DNUM0	CS11	CS10	CS9	CS8	D2SREQ
R/W	R/W	R/W	R/W	R/W	R/W	R/W	R/W
0	0	1	0	0	0	0	0

**SPI 1 Address: 0x00
0x01
0x02**

-- Not defined;
read as 0
R Readable
W Writable
R/W Readable and
Writable

Bits in bottom rows
are reset condition

Bit definitions:

23:22	--	reserved	15	SMODF	SPI 1 mode fault error	7:5	DNUM	DE number of bytes in transaction (1-8 or 2-9) [2:0]
21	SCK1PO	SCK1 polarity 1: On falling edge 0: On rising edge	14	PROM	PROM mode 1: 2-byte address 0: 1-byte address	4	CS11	SPI 1 chip select 11
20	SCK1PH	SCK1 phase 1: Data out at first SCK1 edge 0: Data out before first SCK1 edge	13	DEOP	DE to SPI 1 operation in progress	3	CS10	SPI 1 chip select 10
19	WOM	Wired-OR logic 1: Enabled (open drain) 0: Disabled (push-pull)	12	EMOP	External master to SPI 1 operation in progress	2	CS9	SPI 1 chip select 9
18:16	SCK1FS [2:0]	SCK1 output freq. 111: reserved 110: reserved 101: 4.096 MHz 100: 2.048 MHz 011: 1.024 MHz (default) 010: 512 kHz 001: 256 kHz 000: 32 kHz	11	SWEF	SPI 1 write collision error flag	1	CS8	SPI 1 chip select 8
			10	SINT	Serial Interrupt	0	D2SREQ	DE to SPI request 1: Request operation 0: Operation done (cleared by SPI)
			9	IEN	SPI 1 Interrupt enable			
			8	E2DREQ	External master to DE request			

5.3.3 SPI1CMD Register

Figure 16. SPI 1 Command Register SPI1CMD

(MSB) 23	22	21	20	19	18	17	16
S1CMD23	S1CMD22	S1CMD21	S1CMD20	S1CMD19	S1CMD18	S1CMD17	S1CMD16
R/W	R/W	R/W	R/W	R/W	R/W	R/W	R/W
0	0	0	0	0	0	0	0

15	14	13	12	11	10	9	8
S1CMD15	S1CMD14	S1CMD13	S1CMD12	S1CMD11	S1CMD10	S1CMD9	S1CMD8
R/W	R/W	R/W	R/W	R/W	R/W	R/W	R/W
0	0	0	0	0	0	0	0

7	6	5	4	3	2	1	(LSB) 0
S1CMD7	S1CMD6	S1CMD5	S1CMD4	S1CMD3	S1CMD2	S1CMD1	S1CMD0
R/W	R/W	R/W	R/W	R/W	R/W	R/W	R/W
0	0	0	0	0	0	0	0

**SPI 1 Address: 0x03
0x04
0x05**

-- Not defined;
read as 0
R Readable
W Writable
R/W Readable and
Writable

Bits in bottom rows
are reset condition

Bit definitions:

23:16 S1CMD[23:16] SPI 1 Command High Byte	15:8 S1CMD[15:8] SPI 1 Command Middle Byte	15:8 S1CMD[7:0] SPI 1 Command Low Byte
--	--	--

5.3.4 SPI1DAT1 Register

Figure 17. SPI 1 Data Register SPI1DAT1

(MSB) 23	22	21	20	19	18	17	16
S1DAT23	S1DAT22	S1DAT21	S1DAT20	S1DAT19	S1DAT18	S1DAT17	S1DAT16
R/W	R/W	R/W	R/W	R/W	R/W	R/W	R/W
0	0	0	0	0	0	0	0
15	14	13	12	11	10	9	8
S1DAT15	S1DAT14	S1DAT13	S1DAT12	S1DAT11	S1DAT10	S1DAT9	S1DAT8
R/W	R/W	R/W	R/W	R/W	R/W	R/W	R/W
0	0	0	0	0	0	0	0
7	6	5	4	3	2	1	(LSB) 0
S1DAT7	S1DAT6	S1DAT5	S1DAT4	S1DAT3	S1DAT2	S1DAT1	S1DAT0
R/W	R/W	R/W	R/W	R/W	R/W	R/W	R/W
0	0	0	0	0	0	0	0

**SPI 1 Address: 0x06
0x07
0x08**

-- Not defined;
read as 0
R Readable
W Writable
R/W Readable and
Writable

Bits in bottom rows
are reset condition

Bit definitions:

23:16 S1DAT[23:16] SPI 1 Data 1 High Byte	15:8 S1DAT[15:8] SPI 1 Data 1 Middle Byte	15:8 S1DAT[7:0] SPI 1 Data 1 Low Byte
---	---	---------------------------------------

5.3.5 SPI1DAT2 Register

Figure 18. SPI 1 Data Register SPI1DAT2

(MSB) 23	22	21	20	19	18	17	16
S1DAT23	S1DAT22	S1DAT21	S1DAT20	S1DAT19	S1DAT18	S1DAT17	S1DAT16
R/W	R/W	R/W	R/W	R/W	R/W	R/W	R/W
0	0	0	0	0	0	0	0

15	14	13	12	11	10	9	8
S1DAT15	S1DAT14	S1DAT13	S1DAT12	S1DAT11	S1DAT10	S1DAT9	S1DAT8
R/W	R/W	R/W	R/W	R/W	R/W	R/W	R/W
0	0	0	0	0	0	0	0

7	6	5	4	3	2	1	(LSB) 0
S1DAT7	S1DAT6	S1DAT5	S1DAT4	S1DAT3	S1DAT2	S1DAT1	S1DAT0
R/W	R/W	R/W	R/W	R/W	R/W	R/W	R/W
0	0	0	0	0	0	0	0

**SPI 1 Address: 0x09
0x0A
0x0B**

-- Not defined;
read as 0
R Readable
W Writable
R/W Readable and
Writable

Bits in bottom rows
are reset condition

Bit definitions:

23:16 S1DAT[23:16] SPI 1 Data 2 High Byte	15:8 S1DAT[15:8] SPI 1 Data 2 Middle Byte	15:8 S1DAT[7:0] SPI 1 Data 2 Low Byte
---	---	---------------------------------------

5.3.6 SPI 1 Transactions

To send an SPI 1 command to the decimation engine, a microcontroller or other SPI bus master initiates a serial transaction to write the SPI1CMD, SPI1DAT1, and SPI1DAT2 registers. Depending on the command type, additional serial transactions may be required to write or read data in the SPI1DAT1 and SPI1DAT2 registers.

At the end of each serial write transaction the SPI 1 port automatically transfers the command and data values to the decimation engine by setting the e2dreq bit (external-to-decimation-request bit) in the SPI1CTRL register. When the written values are received by the decimation engine, the e2dreq bit in the SPI1CTRL register is cleared, indicating that new data can be written.

After writing to the SPI 1 port, the microcontroller must not overwrite the register values before they are read by the decimation engine. To ensure this, the microcontroller should poll the e2dreq bit by reading the middle byte of the SPI1CTRL register (SPI1CTRLM) to check if the decimation engine has received the current data. Alternately, the microcontroller can delay 1 ms between transactions to guarantee enough time for the decimation engine to receive the data.

Command Transactions

All SPI 1 commands require a serial transaction to write the initial command and data values to the decimation engine. Depending on the command type, a single command transaction may be the only one required.

To send a serial command transaction, the \overline{SSI} signal is pulled low and the SPI1CMD, SPI1DAT1, and SPI1DAT2 registers are written using the SCK1 and MOSI pins. The full serial transaction sends the SPI 'write' opcode (0x02), the starting register address (SPI1CMDH 0x03), and up to nine data bytes. The nine data bytes are the SPI 1 command code to the SPI1CMD register and the initial

data values to the SPI1DAT1 and SPI1DAT2 registers. When completed, the \overline{SSI} signal is pulled high and the SPI 1 port automatically sets the e2dreq bit in the SPI1CTRL register to send the command and data values to the decimation engine.

The decimation engine then uses the SPI1CMD, SPI1DAT1, and SPI1DAT2 values to start the requested command. After the decimation engine receives the command and data values, it automatically clears the e2dreq bit in the SPI1CTRL register to indicate the SPI 1 port is available for the next transaction. See "SPI 1 Commands" on page 36 for more information on the data required for SPI 1 command transactions.

Burst Transactions

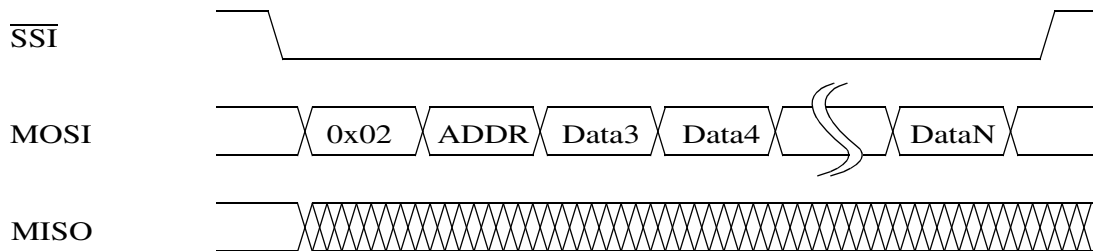
Depending on the SPI 1 command, additional transactions may be required after the initial command transaction. An SPI 1 burst transaction reads or writes the SPI1DAT1 and SPI1DAT2 registers as required by the particular command.

The Read Register command (0x02) reads a data value from the SPI1DAT1 register using a burst transaction. All other burst transaction commands, Write FIR Coefficients (0x03), Write IIR Coefficients (0x04), and Write TBS Data (0x06) write additional data to the decimation engine through the SPI1DAT1 and SPI1DAT2 registers. See "SPI 1 Commands" on page 36 for more information about the data required for SPI 1 burst transactions.

To start a serial burst read transaction, the \overline{SSI} signal is pulled low and the SPI1DAT1 register is read using the SCK1, MOSI, and MISO pins. The full serial transaction sends the SPI 'read' opcode (0x03) with the starting register address (SPI1DAT1H 0x06) using the SCK1 and MOSI pins, and receives three data bytes using the SCK1 and MISO pins. The three data bytes returned are the data value from the SPI1DAT1 register. When completed, the \overline{SSI} signal is pulled high to end the transaction. The e2dreq bit is not used for a read

Instruction	Opcode	Address	Definition
Write	0x02	SPIADDR[7:0]	Write SPI 1 registers beginning at the address given in SPIADDR. Increment the address for every byte written.
Read	0x03	SPIADDR[7:0]	Read SPI 1 registers beginning at the address given in SPIADDR. Increment the address for every byte read.

Microcontroller Write to SPI 1



Microcontroller Read from SPI 1

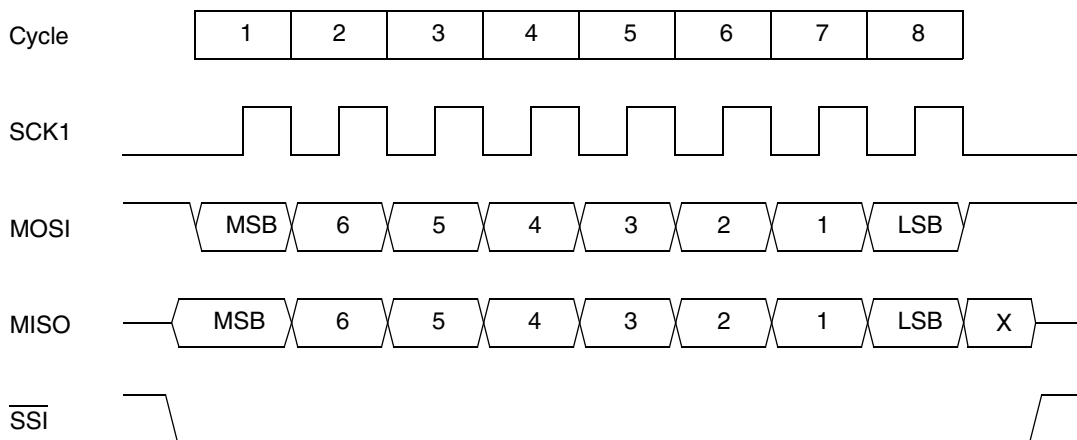
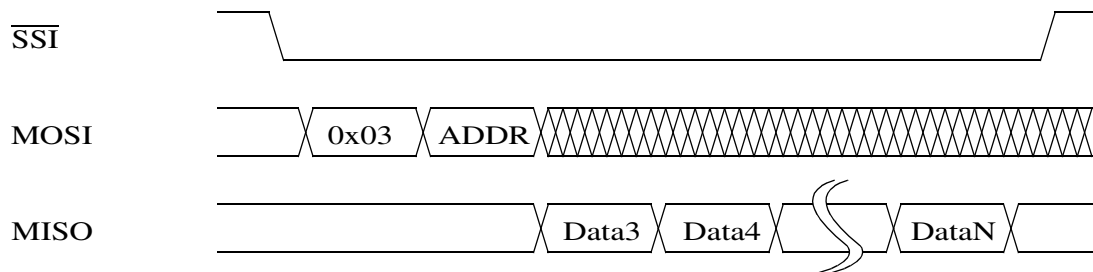


Figure 19. SPI Slave Mode Transactions

transaction, a new serial command transaction can begin immediately.

To send a serial burst write transaction, the \overline{SSI} signal is pulled low and the SPI1DAT1 and SPI1DAT2 registers are written using the SCK1 and MOSI pins. The full serial transaction sends the SPI 'write' opcode (0x02), the starting register address (SPI1DAT1H 0x06), and up to six data bytes. The six data bytes write the additional data values to the SPI1DAT1 and SPI1DAT2 registers.

When completed, the \overline{SSI} signal is pulled high and the SPI 1 port automatically sets the e2dreq bit in the SPI1CTRL register to send the data values to the decimation engine.

The decimation engine then uses the SPI1DAT1, and SPI1DAT2 values to service the current command. After the decimation engine receives the additional data values, it automatically clears the e2dreq bit in the SPI1CTRL register to indicate the SPI 1 port is available for the next transaction.

Sending SPI 1 commands to the decimation engine:

- 1) Initiate a serial command transaction to the SPI1CMD, SPI1DAT1, and SPI1DAT2 registers to write the SPI 1 command and data values.

A serial command transaction uses the SCK1 and MOSI pins to write the SPI 'write' opcode (0x02), the address of the SPI1CMDH register (0x03), and up to nine data bytes.

- 2) Delay until the command is received by the decimation engine by polling the SPI1CTRLM register to check if the e2dreq bit is cleared, or by waiting a fixed delay of 1 ms.

The e2dreq bit is checked using the SCK1, MOSI, and MISO pins by writing the SPI 'read' opcode (0x03) and the address of the SPI1CTRLM register (0x01) with the SCK1 and MOSI pins, and then reading 1 byte of returned data with the SCK1 and MISO pins. The e2dreq bit is bit 0 of the SPI1CTRLM register (bit 8 of the full SPI1CTRL register).

- 3) Initiate serial burst transactions, if required by the SPI 1 command, to the SPI1DAT1 and SPI1DAT2 registers.

A serial burst write transaction uses the SCK1 and MOSI pins to write the SPI 'write' opcode (0x02), the address of the SPI1DAT1H register (0x06), and up to six data bytes.

A serial burst read transaction uses the SCK1, MOSI, and MISO pins by writing the SPI 'read' opcode (0x03) and the address of the SPI1DAT1H register (0x06) with the SCK1 and MOSI pins, and then reading up to six bytes of returned data with the SCK1 and MISO pins.

- 4) For serial burst write transactions, delay until the data is received by the decimation engine by polling the SPI1CTRLM register to check if the e2dreq bit is cleared, or by waiting a fixed delay of 1ms.

Serial burst read transactions do not require a delay after the data read.

E2DREQ Poll Transactions

All SPI 1 command and burst write transactions automatically use the e2dreq bit in the SPI1CTRL register to transfer data to the decimation engine. When the decimation engine clears the e2dreq bit, the data values were received and another transaction can begin. To ensure the e2dreq bit is cleared before starting the next transaction, the microcontroller can either use single byte read transactions from the SPI1CTRLM register or can wait a fixed delay of 1 ms.

To start an e2dreq poll transaction, the \overline{SSI} signal is pulled low and the middle byte of the SPI1CTRL register is read using the SCK1, MOSI, and MISO pins. The full serial transaction sends the SPI 'read' opcode (0x03) with the starting register address (SPI1CTRLM 0x01) using the SCK1 and MOSI pins, and receives one data byte using the SCK1 and MISO pins. The returned data byte is the SPI1CTRLM register value with bit 0 containing

the e2dreq bit (bit 8 of the full SPI1CTRL register). When completed, the \overline{SSI} signal is pulled high to end the transaction.

After reading the e2dreq bit status, the microcontroller checks verify it is cleared. If the e2dreq bit is 0, the decimation engine has received the previous data and is ready for the next transaction. If the e2dreq bit is 1, the decimation engine has not received the previous data and the next transaction must be delayed. The microcontroller can wait in a loop between SPI 1 transactions, continuously reading the e2dreq bit until it is cleared by the decimation engine.

Alternately, the microcontroller can use a fixed delay of 1 ms between transactions to guarantee the decimation engine received the previous data. A fixed delay is useful when initialization timing is not critical, and only adds a nominal setup time for most systems.

5.3.7 SPI 1 Commands

The SPI 1 commands are used to write and read the decimation engine registers, write digital filter coefficients, write test bit stream generator data, and enable or disable the digital filters. All configura-

tion of the decimation engine in coprocessor mode is performed using these commands. Available SPI 1 to decimation engine commands and their required register values are listed in Figure 20.

SPI 1 Command	SPI1CMD	SPI1DAT1 ¹	SPI1DAT2 ¹
Nop	0x00	--	--
Write Register	0x01	Address	Write Data
Read Register	0x02	Address [Read Data]	-- --
Write FIR Coefficients	0x03	Num FIR1 Coeff (FIR Coeff)	Num FIR2 Coeff (FIR Coeff)
Write IIR Coefficients	0x04	a11 (b11)(a22)(b21)	b10 (a21)(b20)(b22)
Write ROM Coefficients	0x05	--	--
Write TBS Data	0x06	Num TBS Data (TBS Data)	-- (TBS Data)
Write TBS ROM	0x07	--	--
Filter Start	0x08	--	--
Filter Stop	0x09	--	--

¹ (data) indicates multiple data words of this type to be written.

[data] indicates data word to be read from SPI1DAT1 register.

Figure 20. SPI 1 Command Reference

Write Register - 0x01

Register	Command Transaction
SPI1CMD	0x01 - Register Write Command
SPI1DAT1	Register Address
SPI1DAT2	Register Write Data

This SPI 1 command writes a data value to a decimation engine register. The decimation engine register specified in SPI1DAT1 is written with the data value in SPI1DAT2.

The CS5376 decimation engine registers control hardware and filtering functions. See “Register Summary” on page 94 for information about the bit definitions of the decimation engine registers.

Read Register - 0x02

Register	Command Transaction
SPI1CMD	0x02 - Register Read Command
SPI1DAT1	Register Address
SPI1DAT2	--

Register	Burst Transaction
SPI1CMD	--
SPI1DAT1	[Register Data]
SPI1DAT2	--

This SPI 1 command reads a data value from a decimation engine register. The value of the decimation engine register specified in SPI1DAT1 is returned in the SPI1DAT1 register. SPI1DAT2 is not used by this command.

The CS5376 decimation engine registers control hardware and filtering functions. See “Register

Summary” on page 94 for information about the bit definitions of the decimation engine registers.

Write FIR Coefficients - 0x03

Register	Command Transaction
SPI1CMD	0x03 - FIR Coefficient Write Cmd
SPI1DAT1	Number of FIR1 Coefficients
SPI1DAT2	Number of FIR2 Coefficients

Register	Burst Transaction
SPI1CMD	{0x03 - FIR Coefficient Write Cmd}
SPI1DAT1	(FIR Coefficient)
SPI1DAT2	(FIR Coefficient)

This SPI 1 command uploads custom coefficients for the FIR1 and FIR2 filters. A maximum of 255 coefficients can be written for each FIR filter, though the available decimation engine computation cycles will limit their practical size. See “Digital Decimation Filter” on page 53 for more information about the FIR filters and the cycle limitations of the decimation engine.

The initial SPI command sets the number of FIR1 and FIR2 coefficients to be written. After the initial write, coefficients for FIR1 and FIR2 are concatenated and written to SPI1DAT1 and SPI1DAT2 using burst transactions. It’s not necessary to write the SPI1CMD register during burst transactions, but doing so does not affect operation.

During burst writes, the e2dreq bit in the SPI1CTRL register indicates when to write new coefficient values. Immediately after data is written, the e2dreq bit is automatically set high. When e2dreq goes low, the data was accepted and new data can be written.

Write IIR Coefficients - 0x04

Register	Command Transaction
SPI1CMD	0x04 - IIR Coefficient Write Cmd
SPI1DAT1	IIR Coefficient a11
SPI1DAT2	IIR Coefficient b10

Register	Burst Transaction
SPI1CMD	{0x04 - IIR Coefficient Write Cmd}
SPI1DAT1	(IIR Coefficients b11; a22; b21)
SPI1DAT2	(IIR Coefficients a21; b20; b22)

This SPI 1 command uploads custom coefficients for the two stage IIR filter. The IIR filter consists of a 1st order IIR stage requiring 3 coefficients (a11, b10, b11) and a 2nd order IIR stage requiring 5 coefficients (a21, a22, b20, b21, b22). A 3rd order IIR filter is implemented by running both stages. See “Digital Decimation Filter” on page 53 for more information about the IIR filters.

The required number of IIR coefficients is fixed, so the initial SPI command writes the first two coefficients; (a11, b10). After the initial write, the remaining IIR coefficients are written to SPI1DAT1 and SPI1DAT2 using burst transactions; (b11, a21); (a22, b20); (b21, b22). It’s not necessary to write the SPI1CMD register during burst transactions, but doing so does not affect operation.

During burst writes, the e2dreq bit in the SPI1CTRL register indicates when to write new coefficient values. Immediately after data is written, the e2dreq bit is automatically set high. When e2dreq goes low, the data was accepted and new data can be written.

Write ROM Coefficients - 0x05

Register	Command Transaction
SPI1CMD	0x05 - ROM Coefficient Write Cmd
SPI1DAT1	--
SPI1DAT2	--

This SPI 1 command initializes the included coefficients for FIR1, FIR2, and the two stage IIR for use by the decimation engine. This command only requires writing the SPI1CMD register; the SPI1DAT1 and SPI1DAT2 registers are not used.

Write TBS Data - 0x06

Register	Command Transaction
SPI1CMD	0x06 - TBS Data Write Cmd
SPI1DAT1	Number of TBS Data
SPI1DAT2	--

Register	Burst Transaction
SPI1CMD	{0x06 - TBS Data Write Cmd}
SPI1DAT1	(TBS Data)
SPI1DAT2	(TBS Data)

This SPI 1 command uploads a custom data set for the test bit stream generator. This command, along with the ability to program the TBS generator interpolation and clock rate, allows the creation of custom frequency test signals by the test bit stream generator. See “Test Bit Stream Generator” on page 81 for more information on generating specific test frequencies using custom test bit stream data sets.

The initial SPI command sets the number of TBS data to be written. After the initial write, TBS data values are written to SPI1DAT1 and SPI1DAT2 using burst transactions. It’s not necessary to write the SPI1CMD register during burst transactions, but doing so does not affect operation.

During burst writes, the e2dreq bit in the SPI1CTRL register indicates when to write new coefficient values. Immediately after data is written, the

e2dreq bit is automatically set high. When e2dreq goes low, the data was accepted and new data can be written.

Write TBS ROM Data - 0x07

Register	Command Transaction
SPI1CMD	0x07 - TBS ROM Data Write Cmd
SPI1DAT1	--
SPI1DAT2	--

This SPI 1 command initializes the included test bit stream data for use by the test bit stream generator. This command only requires writing the SPI1CMD register; the SPI1DAT1 and SPI1DAT2 registers are not used. See “Test Bit Stream Generator” on page 81 for more information on generating test signals using the ROM based test bit stream data set.

Filter Start - 0x08

Register	Command Transaction
SPI1CMD	0x08 - Filter Start Command
SPI1DAT1	--
SPI1DAT2	--

This SPI 1 command initializes the decimation engine and starts the digital filters. This command

only requires writing the SPI1CMD register; the SPI1DAT1 and SPI1DAT2 registers are not used.

The decimation engine will use the filtering configuration specified in the FILT_CFG register (0x20) and coefficients specified by previous SPI 1 commands. See “Digital Decimation Filter” on page 53 for details on decimation engine configurations.

Filter Stop - 0x09

Register	Command Transaction
SPI1CMD	0x09 - Filter Stop Command
SPI1DAT1	--
SPI1DAT2	--

This SPI 1 command disables the digital filters in the decimation engine. This command only requires writing the SPI1CMD register; the SPI1DAT1 and SPI1DAT2 registers are not used.

The digital filters are disabled by halting the sinc filters, which stops the data flow through the digital filter chain. To place the CS5376 into a low power standby mode, the decimation engine clock can be set to 32kHz in the CONFIG register (0x00) after calling this SPI command.

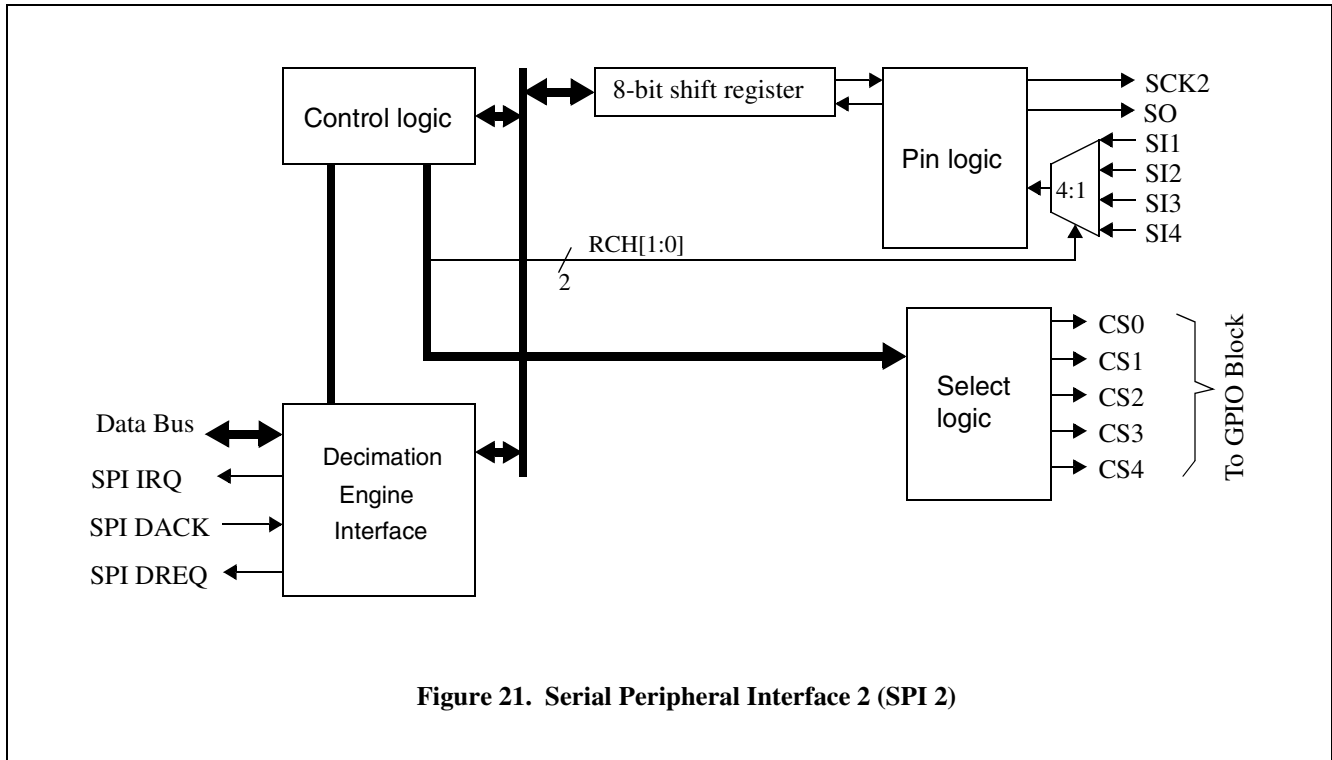


Figure 21. Serial Peripheral Interface 2 (SPI 2)

6. SERIAL PERIPHERAL INTERFACE 2

The Serial Peripheral Interface 2 (SPI 2) port is a master-only SPI port designed to simplify the interface to multiple serial peripherals. A microcontroller or other SPI bus master need only interface with the CS5376 SPI 1 port to control up to 20 read-only or 5 read-write serial slave devices using the SPI 2 port. A system block diagram of the SPI 2 port appears in Figure 21.

6.1 SPI 2 Pin Descriptions

The SPI 2 port uses a common serial clock (SCK2) and serial output pin (SO), four serial input pins (SI1 - SI4), and five chip selects (CS0 - CS4) to communicate with serial peripherals.

SCK2 - Pin 31

Output clock from the Serial Peripheral Interface 2 port. Maximum rate is 4.096 MHz.

SO - Pin 30

Serial Peripheral Interface 2 data output.

SI1 - SI4 - Pins 26 - 29

Serial Peripheral Interface 2 data inputs.

CS0 - CS4 - Pins 32 - 36

Serial Peripheral Interface 2 chip selects.

6.2 SPI 2 Physical Interface

Because SPI 2 slave devices share a common serial output pin, the exact number that can be controlled depends on the number of read-write serial devices connected. Each read-write serial device must connect to a dedicated chip select pin to ensure write transactions are not received in error by other serial devices. The remaining chip select pins can be used for multiple read-only devices, since separate serial input pins are available for each.

A chip select pin used for read-only serial devices can select up to four devices, one for every serial input pin. A serial transaction to a group of read-only devices selects all using the common chip-select pin, and they all receive the read request. Each

device outputs data based on the read request, and the CS5376 selects a serial input pin from which to receive.

As an example, if two read-write serial devices are to be connected to the SPI 2 port, two chip select pins must be dedicated to them. The remaining three chip select pins can each connect up to four read-only serial devices, for a maximum of two read-write and twelve read-only devices controllable through the SPI 2 port.

6.3 SPI 2 Registers

SPI 2 transactions are initiated by writing command, address, and data values to the SPI2CMD and SPI2DAT registers, and then writing the SPI2CTRL register with the D2SREQ bit set. Writing the D2SREQ bit initiates a transaction using the programmed configuration.

6.3.1 SPI 2 Command Register

The SPI2CMD register (0x11) is a 16-bit register in the decimation engine with the high byte designated as an SPI command and the low byte designated as an address. The high byte (bits 15-8) holds the SPI 'write' (0x02) or 'read' (0x03) command, and the low byte (bits 7-0) holds an 8-bit destination or source address.

During a transaction the bytes in SPI2CMD are always output first, with the SPI2DAT register written or read following.

6.3.2 SPI 2 Data Register

The SPI2DAT register (0x12) is a 24-bit register in the decimation engine with three bytes designated for serial data. Data in SPI2DAT is always LSB aligned, with 1-byte data written or received using the low byte (bits 7-0), 2-byte data written or received using the middle and low bytes (bits 15-0), and 3-byte data written or received using all three bytes (bits 23-0).

SCK2 - SPI 2 Clock Output, pin 31

Output clock from the Serial Peripheral Interface 2 port. Maximum rate is 4.096 MHz.

SO - SPI 2 Data Output, pin 30

Serial Peripheral Interface 2 data output.

SI1 - SPI 2 Data Input 1, pin 29

Serial Peripheral Interface 2 data input 1.

SI2 - SPI 2 Data Input 2, pin 28

Serial Peripheral Interface 2 data input 2.

SI3 - SPI 2 Data Input 3, pin 27

Serial Peripheral Interface 2 data input 3.

SI4 - SPI 2 Data Input 4, pin 26

Serial Peripheral Interface 2 data input 4.

Figure 22. Serial Peripheral Interface 2 Pins

During a transaction the data in the SPI2DAT register is written or read after the command and address bytes from the SPI2CMD register are written.

6.3.3 SPI 2 Configuration Register

The SPI 2 port is configured using the SPI2CTRL register (0x10) in the decimation engine. Bits in this register select the serial input pin and chip select pin used for a transaction, set the total number of bytes in a transaction, initiate a transaction using the D2SREQ bit, and report status and error information about a transaction. Other bits in the SPI2CTRL register set general port configuration options such as the serial clock rate, the SPI mode, and the state of the internal pull-up resistors.

Serial Input Configuration

The serial input pin used to receive data is selected using the SPI2EN bits (bits 19 - 16) and the RCH bits (bits 14, 15). The SPI2EN bits enable the inputs, while the RCH bits select the specific channel for the SPI 2 transaction.

Chip Select Configuration

The chip select pin used during a transaction is selected using the CS0, CS1, CS2, CS3, and CS4 bits (bits 0 - 4). Multiple chip selects can be enabled to send a transaction to more than one serial peripheral, if required.

Number of Transaction Bytes

The DNUM bits (bits 5 - 7) are used to specify the total number of bytes to be transferred during a transaction. DNUM is zero based and represents one greater than the number programmed, i.e. DNUM = 3 specifies a 4 byte transaction.

Initiating SPI 2 Transactions

Writing to the D2SREQ bit (bit 8) starts an SPI 2 transaction. When the transaction is completed, the D2SREQ bit is automatically cleared.

Status and Error Information

Three bits in the SPI2CTRL register are used to report status and error information.

The D2SOP flag is set when the SPI 2 port is busy performing a transaction. It is automatically cleared when the transaction is completed.

The SWEF flag is set if a request to initiate a new transaction occurs during the current transaction. This flag is latched and must be cleared manually.

The TM flag indicates the SPI 2 port timed out on the requested transaction. This flag is latched and must be cleared manually.

Serial Clock Rate

The output serial clock rate on the SCK2 pin is set by the SCKFS bits (bits 20 - 22). The clock rate can be set between 32 kHz and 4.096 MHz.

SPI Mode

The serial mode used for a transaction depends on the SCKPO and SCKPH bits (bits 10 and 12 respectively). The SPI 2 port supports all SPI modes, with mode 0 and mode 3 the most commonly used.

SPI Mode 0 (0,0) uses SCKPO = 0 and SCKPH = 0, with SPI mode 3 (1,1) using SCKPO = 1 and SCKPH = 1.

Internal Pull-Up Resistors

The SPI 2 pins have internal pull-up resistors that are disabled by setting the WOM bit (bit 23). The WOM bit enables 'wired-or' mode which permits multiple serial devices to connect together without the extra power drain of an internal pull-up resistor.

6.3.4 SPI2CTRL Register

Figure 23. SPI 2 Configuration Register SPI2CTRL

(MSB) 23	22	21	20	19	18	17	16
WOM	SCKFS2	SCKFS1	SCKFS0	SPI2EN4	SPI2EN3	SPI2EN2	SPI2EN1
R/W	R/W	R/W	R/W	R/W	R/W	R/W	R/W
0	0	1	1	0	0	0	0

15	14	13	12	11	10	9	8
RCH1	RCH0	D2SOP	SCKPH	SWEF	SCKPO	TM	D2SREQ
R/W	R/W	R	R/W	R/W	R/W	R/W	R/W
0	0	0	0	0	0	0	0

7	6	5	4	3	2	1	(LSB) 0
DNUM2	DNUM1	DNUM0	CS4	CS3	CS2	CS1	CS0
R/W	R/W	R/W	R/W	R/W	R/W	R/W	R/W
1	1	1	0	0	0	0	0

I/O Address: 0x10

-- Not defined;
read as 0
R Readable
W Writable
R/W Readable
and Writable

Bits in bottom rows
are reset condition.

Bit definitions:

23	WOM	Wired-OR Mode 1: Enabled (open drain) 0: Disabled (push-pull)	15:14	RCH [1:0]	SPI2 Read Channel 11: Channel 4 10: Channel 3 01: Channel 2 00: Channel 1	7:5	DNUM [2:0]	Decimation Engine Number of bytes in transaction (1-8)
22:20	SCKFS [2:0]	SCK2 Frequency 111: reserved 110: reserved 101: 4.096 MHz 100: 2.048 MHz 011: 1.024 MHz 010: 512 kHz 001: 128 kHz 000: 32 kHz	13	D2SOP	DE to SPI2 Operation in Progress	4	CS4	Chip Select 4 Enable
			12	SCKPH	SCK2 Phase 1: Data out at first SCK2 edge 0: Data out before first SCK2 edge	3	CS3	Chip Select 3 Enable
			11	SWEF	SPI2 Write Collision Error Flag	2	CS2	Chip Select 2 Enable
19:16	SPI2EN [4:1]	SPI2 Channel Enable 1: Enabled 0: Disabled (default)	10	SCKPO	SCK2 Polarity 1: On falling edge 0: On rising edge	1	CS1	Chip Select 1 Enable
			9	TM	SPI2 Timeout 1: SPI2 timed out 0: not timed out	0	CS0	Chip Select 0 Enable
			8	D2SREQ	DE to SPI2 Request 1: Request operation 0: Operation done (cleared by SPI2)			

6.3.5 SPI2CMD Register

Figure 24. SPI 2 Command Register SPI2CMD

(MSB) 23	22	21	20	19	18	17	16
--	--	--	--	--	--	--	--
R/W	R/W	R/W	R/W	R/W	R/W	R/W	R/W
0	0	0	0	0	0	0	0

15	14	13	12	11	10	9	8
SCMD15	SCMD14	SCMD13	SCMD12	SCMD11	SCMD10	SCMD9	SCMD8
R/W	R/W	R/W	R/W	R/W	R/W	R/W	R/W
0	0	0	0	0	0	0	0

7	6	5	4	3	2	1	(LSB) 0
SCMD7	SCMD6	SCMD5	SCMD4	SCMD3	SCMD2	SCMD1	SCMD0
R/W	R/W	R/W	R/W	R/W	R/W	R/W	R/W
0	0	0	0	0	0	0	0

I/O Address: 0x11

-- Not defined;
read as 0

R Readable

W Writable

R/W Readable and
Writable

Bits in bottom rows
are reset condition

Bit definitions:

23:16	-- reserved	15:8	SCMD[15:8] SPI2 Upper Command Byte	15:8	SCMD[7:0] SPI2 Lower Command Byte
-------	-------------	------	------------------------------------	------	-----------------------------------

6.3.6 SPI2DAT Register
Figure 25. SPI 2 Data Register SPI2DAT

(MSB) 23	22	21	20	19	18	17	16
SDAT23	SDAT22	SDAT21	SDAT20	SDAT19	SDAT18	SDAT17	SDAT16
R/W	R/W	R/W	R/W	R/W	R/W	R/W	R/W
0	0	0	0	0	0	0	0
15	14	13	12	11	10	9	8
SDAT15	SDAT14	SDAT13	SDAT12	SDAT11	SDAT10	SDAT9	SDAT8
R/W	R/W	R/W	R/W	R/W	R/W	R/W	R/W
0	0	0	0	0	0	0	0
7	6	5	4	3	2	1	(LSB) 0
SDAT7	SDAT6	SDAT5	SDAT4	SDAT3	SDAT2	SDAT1	SDAT0
R/W	R/W	R/W	R/W	R/W	R/W	R/W	R/W
0	0	0	0	0	0	0	0

I/O Address: 0x12

 -- Not defined;
read as 0

R Readable

W Writable

 R/W Readable and
Writable

 Bits in bottom rows
are reset condition

Bit definitions:

23:16	SDAT[23:16]	SPI2 Upper Data Byte	15:8	SDAT[15:8]	SPI2 Middle Data Byte	7:0	SDAT[7:0]	SPI2 Lower Data Byte
-------	-------------	-------------------------	------	------------	--------------------------	-----	-----------	-------------------------

6.4 SPI 2 Transactions

The SPI 2 port operates as an SPI master to perform write and read transactions with serial slave peripherals. The exact timing of the SPI transactions depends on the SPI mode, selected using the SCKPO and SCKPH bits in the SPI2CTRL register.

Write Transactions

Write transactions are initialized by writing an SPI 'write' (0x02) opcode and an 8-bit destination address to the SPI2CMD register, and the output data value to the SPI2DAT register. Writing the D2SREQ bit in the SPI2CTRL register starts the SPI 2 transaction based on the SPI2CTRL configuration.

A write transaction outputs 1 or 2 bytes from the SPI2CMD register and 0, 1, 2, or 3 bytes from the SPI2DAT register. Write transactions are therefore a minimum of 1 byte (DNUM = 0) and a maximum of 5 bytes (DNUM = 4). The SPI 2 port uses the DNUM bits in the SPI2CTRL register to determine the total number of bytes to send during a write transaction.

Write transactions are not required to use standard SPI commands. If serial peripherals use non-standard write commands they can be written to the SPI2CMD and SPI2DAT registers as required.

Read Transactions

Read transactions are initialized by writing an SPI 'read' (0x03) opcode and an 8-bit source address to the SPI2CMD register. Writing the D2SREQ bit in the SPI2CTRL register starts the SPI 2 transaction based on the SPI2CTRL configuration, with the input data value received to the SPI2DAT register.

A read transaction outputs 2 bytes from the SPI2CMD register and can receive 1, 2, or 3 bytes into the SPI2DAT register. Read transactions are a

minimum of 3 bytes (DNUM = 2) and a maximum of 5 bytes (DNUM = 4). The SPI 2 port uses the DNUM bits in the SPI2CTRL register to determine the total number of bytes to send and receive during a read transaction.

Read transactions are not required to use standard SPI commands. If a serial peripherals use non-standard read commands they can be written to the SPI2CMD register, as long as they conform to the format of 2 bytes out with 1, 2, or 3 bytes in.

SPI Modes

The SPI mode for the SPI 2 port is selected in the SPI2CTRL register using the SCKPO and SCKPH bits. Supported modes are:

SPI Mode 0 (0,0): SCKPO = 0, SCKPH = 0

SPI Mode 1 (0,1): SCKPO = 0, SCKPH = 1

SPI Mode 2 (1,0): SCKPO = 1, SCKPH = 0

SPI Mode 3 (1,1): SCKPO = 1, SCKPH = 1

The most commonly used SPI modes are mode 0 and mode 3, both of which define the serial clock with data valid on rising edges and transitioning on falling edges.

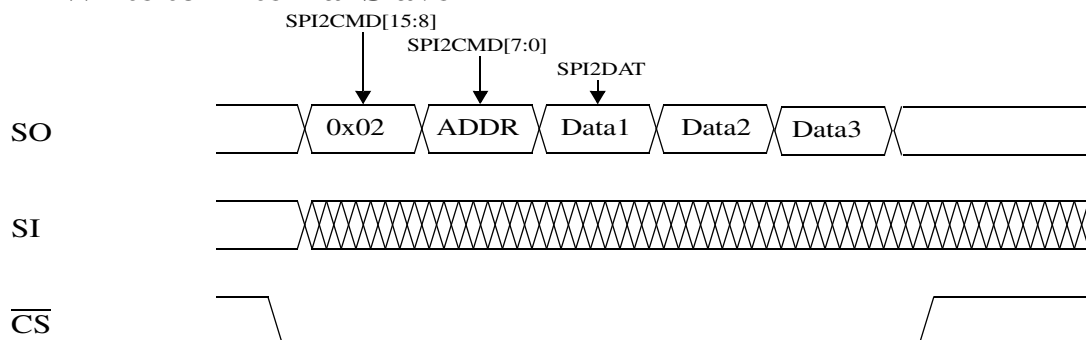
In SPI mode 0, the SCK2 serial clock is defined initially in a low state. Output data on the SO pin is valid immediately after the chip select pin goes low, and the first rising edge of SCK2 latches valid data.

In SPI mode 3, the SCK2 serial clock is defined initially in a high state. Output data on the SO pin is invalid until the initial falling edge of SCK2, and the first rising edge of SCK2 latches valid data.

SPI modes 1 and 4 work similarly to modes 0 and 3, with the serial clock defined to have data valid on falling edges and transitioning on rising edges.

Instruction	Opcode	Address	Definition
Write	0x02	SPI2CMD[7:0]	Write serial peripheral beginning at the address given in SPI2CMD[7:0]. Increment the address for every byte written from SPI2DAT.
Read	0x03	SPI2CMD[7:0]	Read serial peripheral beginning at the address given in SPI2CMD[7:0]. Increment the address for every byte read to SPI2DAT.

SPI 2 Write to External Slave



SPI 2 Read from External Slave

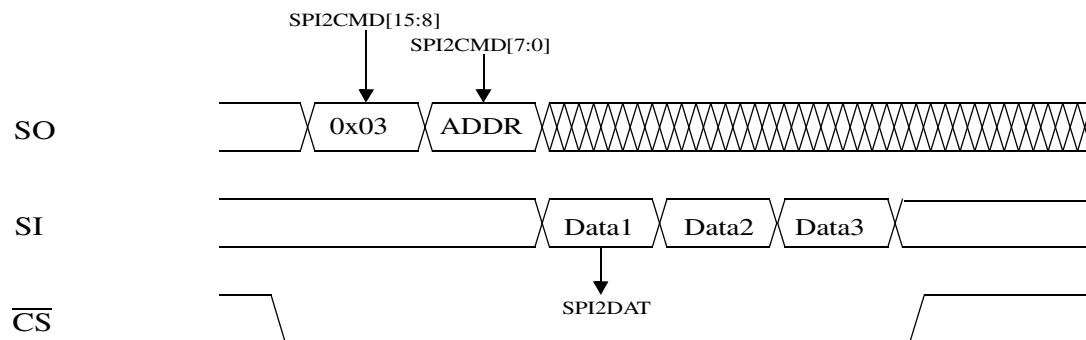
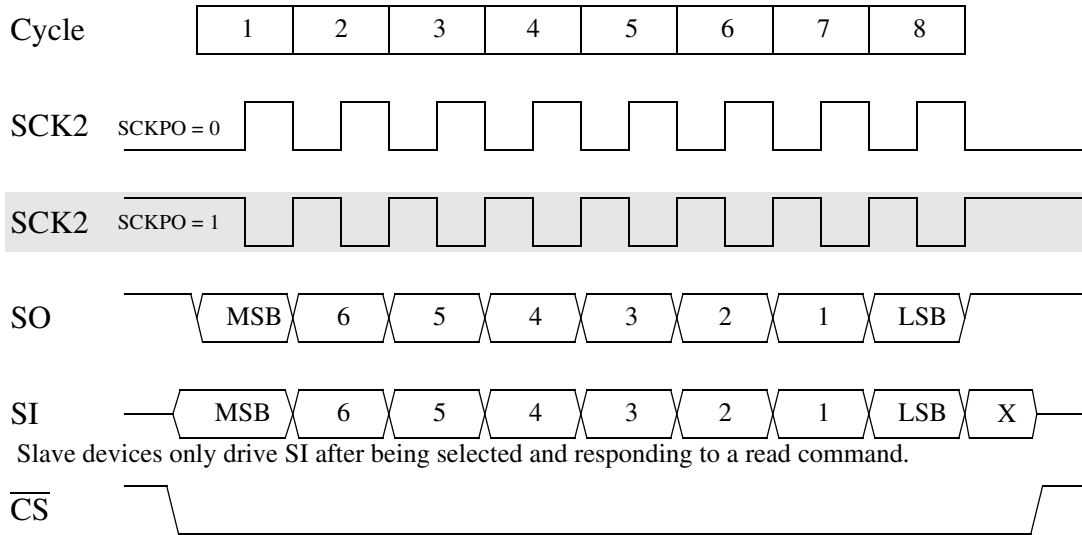


Figure 26. SPI 2 Master Mode Transactions

SPI 2 Transaction with SCKPH=0



SPI 2 Transaction with SCKPH=1

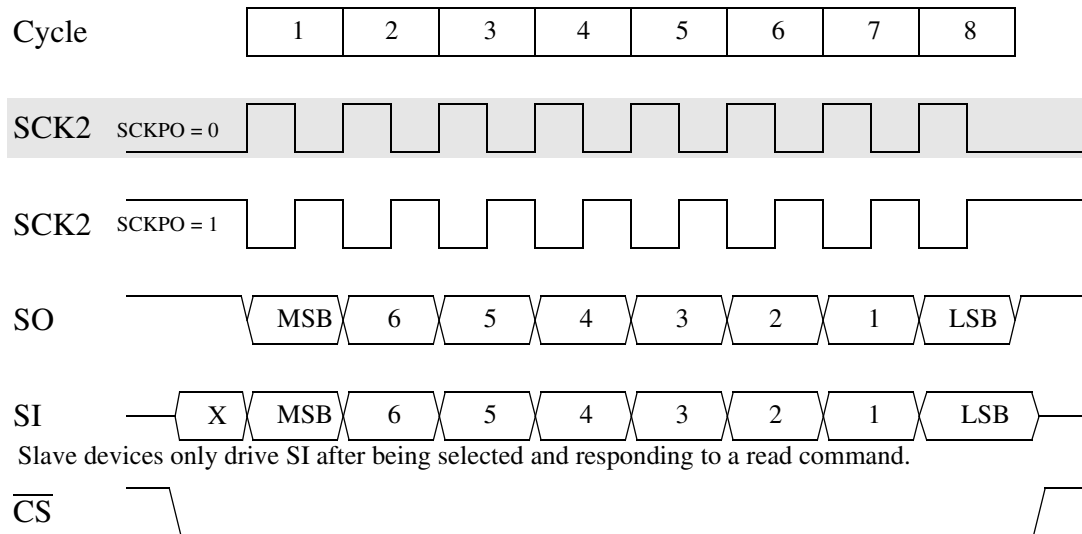


Figure 27. SPI 2 Transaction Details

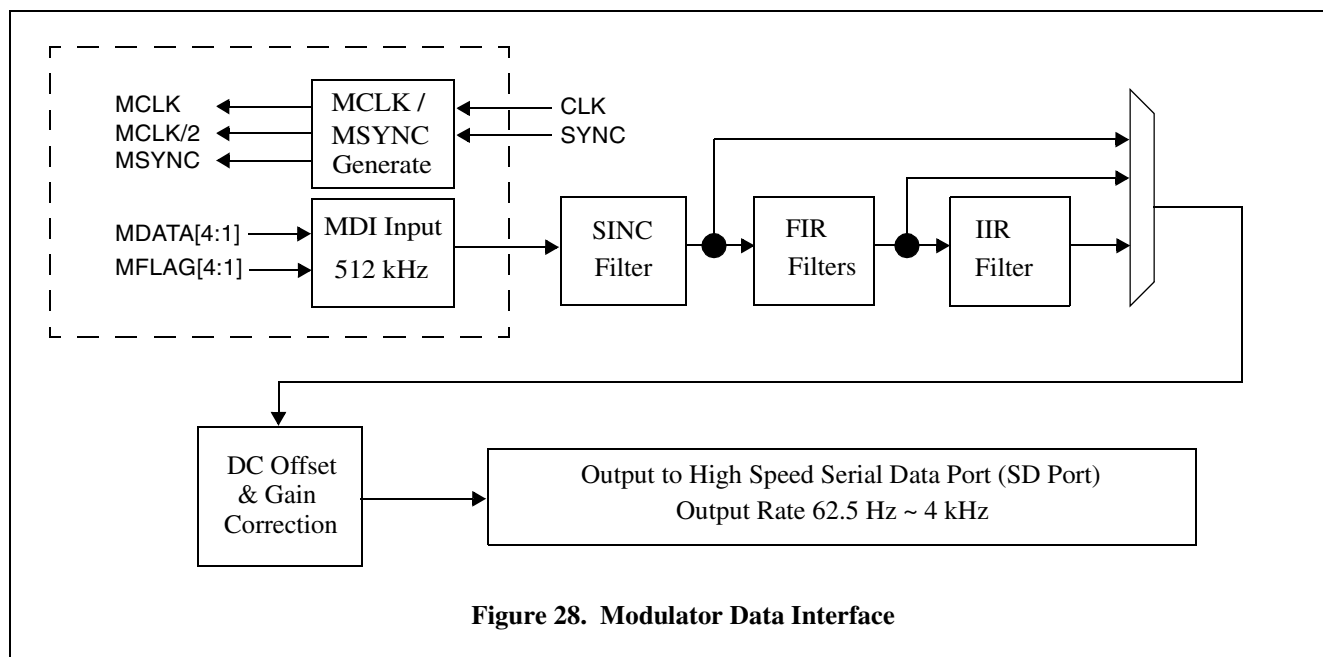


Figure 28. Modulator Data Interface

7. MODULATOR DATA INTERFACE

The CS5376 provides digital filtering for up to four Δ - Σ modulators. The signals to and from the modulators are connected through the modulator data interface (MDI).

7.1 Modulator Interface Pin Descriptions

Each modulator has a dedicated data input to an MDATA pin, a dedicated error flag input to an MFLAG pin, a shared modulator clock signal from the MCLK pin, and a shared synchronization signal from the MSYNC pin.

MCLK, MCLK/2 - Pins 13, 12

Generated output clocks for the modulators.

MSYNC - Pin 14

Generated output synchronization signal to reinitialize the modulator timing. Generated from the SYNC input signal.

MDATA1 - MDATA4 - Pins 15, 17, 19, 21

Modulator data input, a one-bit serial data stream (one's density) at a rate dictated by the rate of the

MCLK signal. 512 kbit and 256 kbit are typical MDATA rates.

MFLAG1 - MFLAG4 - Pins 16, 18, 20, 22

Logic input indicating the modulator is unstable due to an over-ranged signal on its analog input.

7.2 Modulator Data Inputs

The MDATA inputs are expected to be 1-bit Δ - Σ data at a 512 kHz or 256 kHz rate. The one's density input is defined as full scale positive at 86% and full scale negative at 14%, with overhang capability to 93% and 7%. Note that no signal input produces a 50% one's density from the modulators.

The CS5372 modulator generates compatible data at a 512 kHz rate, while the CS5321 modulator generates compatible data at a 256 kHz rate. Both data rates use an MDIFS setting of 512 kHz in the CONFIG register (0x00) since the 256 kHz data rate can be oversample.

7.3 Modulator Flag Inputs

An MFLAG signal from a modulator indicates it has become unstable due to an overrange condition

on the analog inputs. Once the overrange signal is removed, the modulator recovers and the MFLAG signal is cleared. The invalid data during the overrange condition must propagate through the filter chain, so the digital filters require time to recover after an MFLAG error.

The MFLAG pin input value is included as an error flag in the SD port status byte for that channel. When an MFLAG signal is received from a modulator, the error flag is output in the next status byte without delay. Depending on the group delay of the digital filters, a few words of valid data will be output from the SD port before the invalid data propagates through. See “Serial Data Output Port” on page 71 for more information on the SD port status byte and the MFLAG error bit.

7.4 Modulator Clock Generation

The MCLK and MCLK/2 outputs are low-jitter, low-skew modulator clocks. The MCLK pin can generate a 4.096 MHz, 2.048 MHz, 1.024 MHz, or 512 kHz clock from a 32.768 MHz master clock, with the rate selected in the CONFIG register (0x00). MCLK/2 always produces a clock at half the selected MCLK rate. The CS5372 modulator expects an MCLK rate of 2.048 MHz, while the CS5321 expects an MCLK rate of 1.024 MHz.

7.4.1 Modulator Clock Enables

The MCKEN and MCKEN2 bits in the CONFIG register independently enable the MCLK and MCLK/2 outputs. At powerup or after $\overline{\text{RESET}}$, the MCLK and MCLK/2 pins are disabled and driven low. When system configuration sets the MCKEN or MCKEN2 bits, the internally-generated MCLK

MCLK - Modulator Clock Output, pin 13

Generated output clock to operate the CS5372 modulator. The clock frequency is selectable, typically 2.048 MHz.

MCLK/2 - Modulator Clock Divided by 2 Output, pin 12

Generated output clock to operate the CS5321 modulator. The clock frequency is selectable, typically 1.024 MHz.

MSYNC - Modulator Sync Output, pin 14

Generated output synchronization signal to reinitialize the modulator timing. Generated from the SYNC input signal.

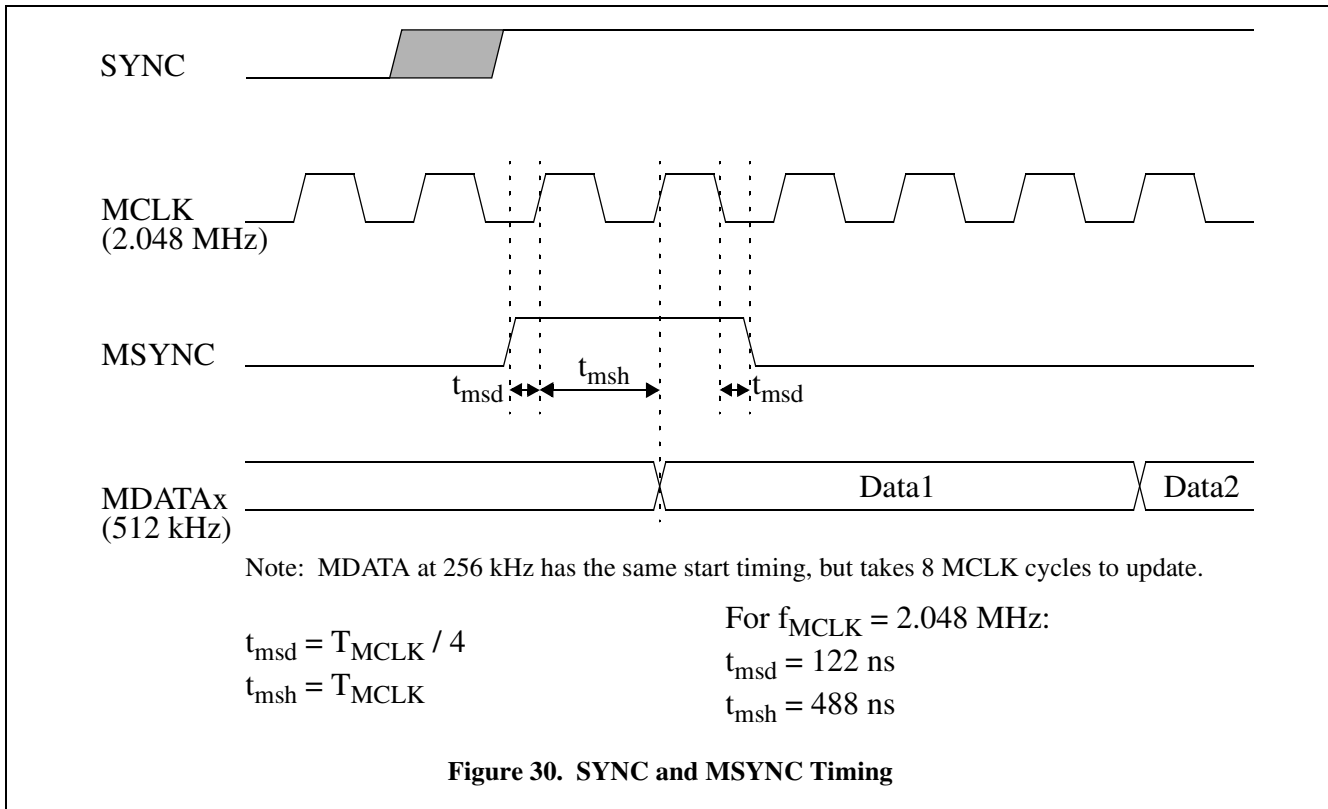
MDATA[4:1] - Modulator Data Input, pin 15, 17, 19, 21

Modulator data input, a one-bit serial data stream (one's density) at a rate dictated by the rate of the MCLK signal. 512 kbit and 256 kbit are typical MDATA rates.

MFLAG[4:1] - Modulator Flag Input, pin 16, 18, 20, 22

Logic input indicating the modulator is unstable due to an over-ranged signal on its analog input.

Figure 29. Modulator Data Interface Pins



or MCLK/2 signals begin driving their respective pins starting from the next internal 32 kHz clock synchronization boundary.

7.5 Modulator Synchronization

The MSYNC output is generated from an external input on the SYNC pin. MSYNC phase aligns the sampling instant of the modulators and guarantees synchronous analog sampling across a measure-

ment network. See “System Synchronization” on page 77 for more information about how the MSYNC signal is generated from the SYNC input.

7.5.1 Modulator Sync Enable

Clearing the MSEN bit in the CONFIG register (0x00) disables generation of the MSYNC signal, the default state is for MSYNC generation to be enabled.

7.5.2 CONFIG Register
Figure 31. Decimation Engine Configuration Register CONFIG

(MSB)23	22	21	20	19	18	17	16
--	--	--	--	--	DFS2	DFS1	DFS0
R/W	R/W	R/W	R/W	R/W	R/W	R/W	R/W
0	0	0	0	0	1	0	1

15	14	13	12	11	10	9	8
--	WDFS2	WDFS1	WDFS0	--	MCKFS2	MCKFS1	MCKFS0
R/W	R/W	R/W	R/W	R/W	R/W	R/W	R/W
0	0	0	0	0	1	0	0

7	6	5	4	3	2	1	(LSB)0
--	--	MCKEN2	MCKEN	MDIFS	SBY	BOOT	MSEN
R/W	R/W	R/W	R/W	R/W	R/W	R	R/W
0	0	0	0	0	0	0	1

I/O Address: 0x00

-- Not defined;
read as 0
R Readable
W Writable
R/W Readable and
Writable

Bits in bottom rows
are reset condition

Bit definitions:

23:19	--	reserved	15	--	reserved	7:6	--	reserved
18:16	DFS	Decimation Engine Frequency Select [2:0]	14:12	WDFS	Watchdog Frequency Select [2:0]	5	MCKEN2	MCLK/2 Output Enable
		111: reserved 110: 8.192 MHz 101: 4.096 MHz (default) 100: 2.048 MHz 011: 1.024 MHz 010: 512 kHz 001: 256 kHz 000: 32 kHz			111: reserved 110: 8.192 MHz 101: 4.096 MHz 100: 2.048 MHz 011: 1.024 MHz 010: 512 kHz 001: 256 kHz 000: 32 kHz (default)	4	MCKEN	MCLK Output Enable
			11	--	reserved	3	MDIFS	MDI Frequency Select: 1: 256 kHz 0: 512 kHz (default)
			10:8	MCKFS	MCLK Frequency Select [2:0]	2	SBY	Standby 1: DE in low power, low frequency mode 0: DE normal operation
					111: reserved 110: reserved 101: 4.096 MHz 100: 2.048 MHz (default) 011: 1.024 MHz 010: 512 kHz 001: reserved 000: reserved	1	BOOT	Boot Source Select 1: Boot from PROM 0: Boot from SPI
						0	MSEN	MSYNC Enable 1: MSYNC is generated from SYNC 0: MSYNC remains low

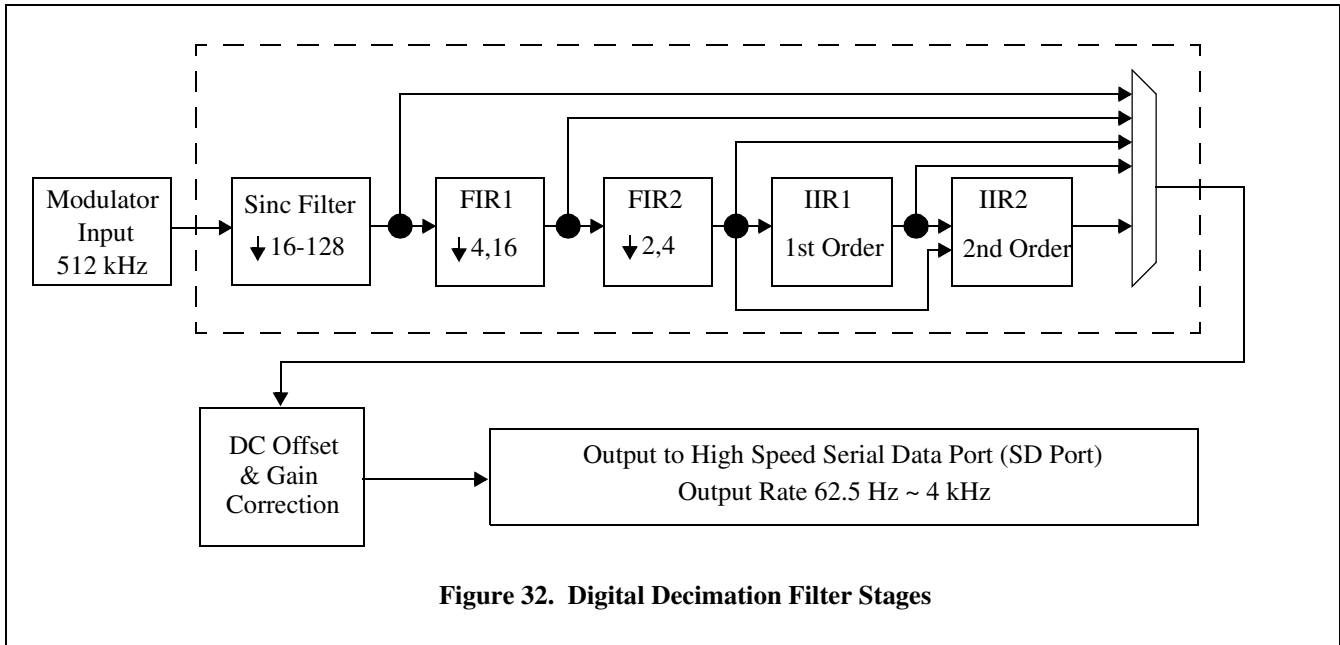


Figure 32. Digital Decimation Filter Stages

8. DIGITAL DECIMATION FILTER

The CS5376 digital filter consists of three sections: a hardware sinc filter, two FIR filters, and a selectable 1st, 2nd, or 3rd order IIR filter. The coefficients for the FIR and IIR filters are programmable via the SPI 1 serial port, allowing the use of custom filter sets optimized for specific applications. Reference coefficients are included in the CS5376 which are suitable for many applications.

Figure 32 illustrates the general flow of the filter chain, along with the decimation ratios for each filter stage. The digital filters are structured to allow data output following any stage in the filter chain. If an application requires only a single FIR filter, for example, conversion data can be taken immediately following the FIR1 filter stage.

The CS5376 digital filter supports output word rates (OWRs) between 62.5 Hz and 4 kHz, though not all output rates are supported for all output configurations. The available decimation ratios limit the FIR1 output configuration to output word rates between 250 Hz and 4 kHz, while the sinc filter output configuration supports only a 4 kHz output word rate.

8.1 Filter Initialization

The CS5376 digital filters are initialized by setting the decimation engine clock in the CONFIG register (0x00), and then setting filter parameters in the FILT_CFG register (0x20).

8.1.1 Decimation Engine Clock

The FIR and IIR filters are run in the decimation engine, which is optimized for low-power digital filter computations. The decimation engine clock rate is programmable between 8.192 MHz and 32 kHz using the DFS bits (bits 16-18) in the CONFIG register.

Computation Cycles

The appropriate decimation engine clock rate depends on the computation cycles required to complete the digital filters at the selected output word rate. Lower clock rates consume less power but cannot complete complex filters at high output word rates.

Filter complexity is proportional to the total number of FIR filter coefficients and the selected order of the IIR filter. Some experimentation will be re-

quired to determine the minimum clock rate that can support a specified digital filter configuration.

Low-Power Standby Modes

A low-power standby mode exists to force the decimation engine clock to 32 kHz, regardless of the clock rate setting in the CONFIG register. This mode is intended for battery powered systems that idle for extended periods. The SBY bit (bit 2) in the CONFIG register enables the decimation engine low-power standby mode.

Standby mode slows the decimation engine clock, but does not halt filter operation. To place the CS5376 into a full sleep mode, the ‘Stop Filter’ command in the SPI 1 port should be issued to disable the digital filters. The ‘Stop Filter’ command halts the sinc filter and disables writes to the SD port, placing these blocks into a low-power state.

After the filters are stopped, setting the SBY bit in the CONFIG register minimizes power in the decimation engine. While writing the SBY bit, clearing the MCKEN and MCKEN2 bits disables the modulator clocks and places the modulators into a low-power state.

To recover from sleep mode, write the CONFIG register to clear the SBY bit and re-enable the modulator clocks, and then send the ‘Start Filter’ SPI 1 command. See “Serial Peripheral Interface 1” on page 21 for a description of the ‘Stop Filter’, ‘Start Filter’, and register write SPI 1 commands.

8.1.2 Channel Enable

The CS5376 can perform digital filtering for up to four Δ - Σ modulators. The number of enabled channels is set by the CH bits (bits 0,1) in the FILT_CFG register. The channels are enabled sequentially, with the one channel configuration using channel 1, the two channel configuration using channels 1 and 2, the three channel configuration using channels 1, 2, and 3, and the four channel configuration using all four channels.

When fewer than four channels are required, the number of decimation engine computation cycles required to complete the digital filters is reduced proportionally. This permits slower decimation engine clock rates, and lower power consumption, for reduced channel count applications.

8.1.3 Output Filter Selection

The CS5376 digital filters can output data following any stage in the filter chain. The output filter stage is selected using the FSEL bits (bits 8-10) in the FILT_CFG register. Output data can be taken from the sinc filter, the FIR1 filter, the FIR2 filter, the 1st order IIR filter, the 2nd order IIR filter, or the 3rd order IIR filter (by running both the 1st and 2nd order IIR filters).

When an output filter stage is selected, earlier filter stages must be completed. For example, it is not possible to run only the 1st order IIR filter without first running the FIR1 and FIR2 filters. One exception is the 2nd order IIR filter which automatically bypasses the 1st order IIR filter.

8.1.4 Output Word Rate

The CS5376 digital filters support output word rates (OWRs) between 62.5 Hz and 4 kHz. The output word rate is selected using the DEC bits (bits 4-6) in the FILT_CFG register, with the decimation ratios for each filter stage set automatically depending on the output filter configuration. Figure 33 lists the decimation settings based on the selected output configuration.

Not all output rates are supported for all output filter configurations. The available decimation ratios limit the FIR1 output configuration to output word rates between 250 Hz and 4 kHz, and the sinc filter output configuration to a single 4 kHz output word rate. Selecting an unsupported output word rate results in the closest supported output word rate.

Sinc Filter Output Configuration - FSEL Bits = 0x00

Output Word Rate	DEC Bits Setting	Input Bit Rate	Sinc Decimation	FIR1 Decimation	FIR2 Decimation	Total Decimation
4 kHz	0x07	512 kHz	128	-	-	128

FIR1 Filter Output Configuration - FSEL Bits = 0x01

Output Word Rate	DEC Bits Setting	Input Bit Rate	Sinc Decimation	FIR1 Decimation	FIR2 Decimation	Total Decimation
4 kHz	0x07	512 kHz	32	4	-	128
2 kHz	0x06	512 kHz	64	4	-	256
1 kHz	0x05	512 kHz	128	4	-	512
500 Hz	0x04	512 kHz	64	16	-	1024
333.3 Hz	0x03	512 kHz	96	16	-	1536
250 Hz	0x02	512 kHz	128	16	-	2048

FIR2 Filter, IIR Filter Output Configurations - FSEL Bits = 0x02, 0x03, 0x04, 0x05

Output Word Rate	DEC Bits Setting	Input Bit Rate	Sinc Decimation	FIR1 Decimation	FIR2 Decimation	Total Decimation
4 kHz	0x07	512 kHz	16	4	2	128
2 kHz	0x06	512 kHz	32	4	2	256
1 kHz	0x05	512 kHz	64	4	2	512
500 Hz	0x04	512 kHz	128	4	2	1024
333.3 Hz	0x03	512 kHz	96	4	4	1536
250 Hz	0x02	512 kHz	64	16	2	2048
125 Hz	0x01	512 kHz	128	16	2	4096
62.5 Hz	0x00	512 kHz	128	16	4	8192

Figure 33. Supported Output Word Rates

8.1.5 CONFIG Register
Figure 34. Decimation Engine Configuration Register CONFIG

(MSB)23	22	21	20	19	18	17	16
--	--	--	--	--	DFS2	DFS1	DFS0
R/W	R/W	R/W	R/W	R/W	R/W	R/W	R/W
0	0	0	0	0	1	0	1

15	14	13	12	11	10	9	8
--	WDFS2	WDFS1	WDFS0	--	MCKFS2	MCKFS1	MCKFS0
R/W	R/W	R/W	R/W	R/W	R/W	R/W	R/W
0	0	0	0	0	1	0	0

7	6	5	4	3	2	1	(LSB)0
--	--	MCKEN2	MCKEN	MDIFS	SBY	BOOT	MSEN
R/W	R/W	R/W	R/W	R/W	R/W	R	R/W
0	0	0	0	0	0	0	1

I/O Address: 0x00

-- Not defined;
read as 0
R Readable
W Writable
R/W Readable and
Writable

Bits in bottom rows
are reset condition

Bit definitions:

23:19	--	reserved	15	--	reserved	7:6	--	reserved
18:16	DFS [2:0]	Decimation Engine Frequency Select 111: reserved 110: 8.192 MHz 101: 4.096 MHz (default) 100: 2.048 MHz 011: 1.024 MHz 010: 512 kHz 001: 256 kHz 000: 32 kHz	14:12	WDFS [2:0]	Watchdog Frequency Select 111: reserved 110: 8.192 MHz 101: 4.096 MHz 100: 2.048 MHz 011: 1.024 MHz 010: 512 kHz 001: 256 kHz 000: 32 kHz (default)	5	MCKEN2	MCLK/2 Output Enable
						4	MCKEN	MCLK Output Enable
						3	MDIFS	MDI Frequency Select: 1: 256 kHz 0: 512 kHz (default)
						2	SBY	Standby 1: DE in low power, low frequency mode 0: DE normal operation
			11	--	reserved			
			10:8	MCKFS [2:0]	MCLK Frequency Select 111: reserved 110: reserved 101: 4.096 MHz 100: 2.048 MHz (default) 011: 1.024 MHz 010: 512 kHz 001: reserved 000: reserved	1	BOOT	Boot Source Select 1: Boot from PROM 0: Boot from SPI
						0	MSEN	MSYNC Enable 1: MSYNC is generated from SYNC 0: MSYNC remains low

8.1.6 *FILT_CFG Register*

Figure 35. Filter Configuration Register *FILT_CFG*

(MSB) 23	22	21	20	19	18	17	16
--	--	--	EXP4	EXP3	EXP2	EXP1	EXP0
R/W	R/W	R/W	R/W	R/W	R/W	R/W	R/W
0	0	0	0	0	0	0	0

15	14	13	12	11	10	9	8
--	ORCAL	USEOR	USEGR	--	FSEL2	FSEL1	FSEL0
R/W	R/W	R/W	R/W	R/W	R/W	R/W	R/W
0	0	0	0	0	0	0	0

7	6	5	4	3	2	1	(LSB) 0
--	DEC2	DEC1	DEC0	--	--	CH1	CH0
R/W	R/W	R/W	R/W	R/W	R/W	R/W	R/W
0	0	0	0	0	0	0	0

I/O Address: 0x20

-- Not defined; read as 0

R Readable

W Writable

R/W Readable and Writable

Bits in bottom rows are reset condition

Bit definitions:

23:21	--	reserved	15	--	reserved	7	--	reserved
21:16	EXP[4:0]	DC Offset Calibration Routine Exponent (Determines sensitivity of DC offset calibration routine)	14	ORCAL	Offset Register Calibration Routine Enable 1: enabled 0: disabled	6:4	DEC[2:0]	Decimation Rate, Output Word Rate 111: 4 kHz 110: 2 kHz 101: 1 kHz 100: 500 Hz 011: 333.3 Hz 010: 250 Hz 001: 125 Hz 000: 62.5 Hz
			13	USEOR	Use Offset Register Correction 1: enabled 0: disabled	3:2	--	reserved
			12	USEGR [11:8]	Use Gain Register Correction 1: enabled 0: disabled	1:0	CH[1:0]	Channel Enable 11: 3 Channel (1, 2, 3) 10: 2 Channel (1, 2) 01: 1 Channel (1 only) 00: 4 Channel (1, 2, 3, 4)
			11	--	reserved			
			10:8	FSEL[2:0]	Output Filter Select 111: reserved 110: reserved 101: IIR 3rd Order 100: IIR 2nd Order 011: IIR 1st Order 010: FIR2 Output 001: FIR1 Output 000: Sinc Output			

8.2 Hardware Sinc Filter

The hardware sinc filter provides high-order attenuation of out-of-band noise components from the $\Delta-\Sigma$ modulators. It also decimates the 512 kHz 1-bit $\Delta-\Sigma$ data into lower frequency 24-bit data suitable for the FIR and IIR filters.

The hardware sinc filter is divided into two cascaded sections, Sinc1 and Sinc2. Sinc1 is a fixed 5th order decimate by 8 sinc filter while Sinc2 is a multi-stage variable order sinc filter capable of decimation ratios of 2, 4, 8, 12, or 16. The selected output word rate and output filter stage from the overall filter chain automatically determines the decimation ratio selected for Sinc2.

Once the decimation ratio for Sinc2 is set, all enabled channels are decimated and filtered using an identical hardware algorithm. The final output from the sinc filter is 24-bit 2's complement data that passes to the decimation engine for further filtering by the FIR and IIR stages.

8.2.1 SINC1 Filter

The first part of the hardware sinc filter is Sinc1, a fixed 5th order decimate by 8 sinc filter. This filter decimates the incoming 512 kHz (or oversampled 256 kHz) 1-bit $\Delta-\Sigma$ bit stream from the modulators down to a 64 kHz rate.

This filter section can be modeled as a 5th order sinc filter with a decimate by 8 output. The time domain coefficients are [1, 5, 10, 10, 5, 1], and the frequency domain model is $[(\sin x)/x]^5$.

8.2.2 SINC2 Filter

The second part of the hardware sinc filter is Sinc2, a multi-stage, variable order, variable decimation sinc filter. Depending on the selected output word rate and output filter stage from the overall filter chain, different cascaded Sinc2 stages are enabled. See Figure 37 for a listing of possible Sinc2 configurations.

Stage 1 of Sinc2 can be modeled as a 4th order sinc filter with a decimate by 2 output. The time domain

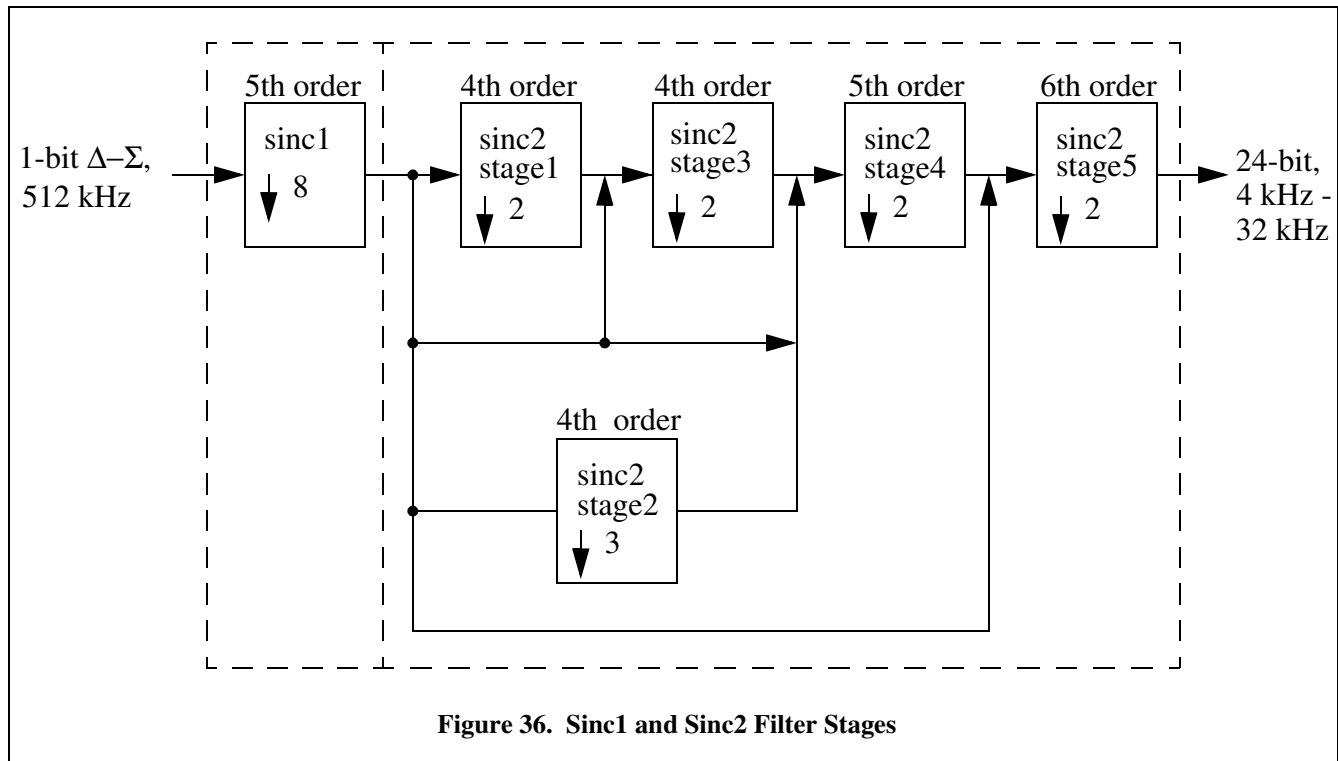


Figure 36. Sinc1 and Sinc2 Filter Stages

coefficients are [1, 4, 6, 4, 1], and the frequency domain model is $[(\sin x)/x]^4$.

Stage 2 of Sinc2 can be modeled as a 4th order sinc filter with a decimate by 3 output. The time domain coefficients are [1, 4, 6, 4, 1], and the frequency domain model is $[(\sin x)/x]^4$.

Stage 3 of Sinc2 can be modeled as a 4th order sinc filter with a decimate by 2 output. The time domain coefficients are [1, 4, 6, 4, 1], and the frequency domain model is $[(\sin x)/x]^4$.

Stage 4 of Sinc2 can be modeled as a 5th order sinc filter with a decimate by 2 output. The time domain coefficients are [1, 5, 10, 10, 5, 1], and the frequency domain model is $[(\sin x)/x]^5$.

Sinc Filter Output Configuration - FSEL Bits = 0x00

Output Word Rate	DEC Bits Setting	Input Bit Rate ¹	Sinc1 Decimation	Sinc2 Decimation	Sinc2 Stages	Sinc Output
4 kHz	0x07	512 kHz	8	16	1,3,4,5	4 kHz

FIR1 Filter Output Configuration - FSEL Bits = 0x01

Output Word Rate	DEC Bits Setting	Input Bit Rate ¹	Sinc1 Decimation	Sinc2 Decimation	Sinc2 Stages	Sinc Output
4 kHz	0x07	512 kHz	8	4	4,5	16 kHz
2 kHz	0x06	512 kHz	8	8	3,4,5	8 kHz
1 kHz	0x05	512 kHz	8	16	1,3,4,5	4 kHz
500 Hz	0x04	512 kHz	8	8	3,4,5	8 kHz
333.3 Hz	0x03	512 kHz	8	12	2,4,5	5.33 kHz
250 Hz	0x02	512 kHz	8	16	1,3,4,5	4 kHz

FIR2 Filter, IIR Filter Output Configurations - FSEL Bits = 0x02, 0x03, 0x04, 0x05

Output Word Rate	DEC Bits Setting	Input Bit Rate ¹	Sinc1 Decimation	Sinc2 Decimation	Sinc2 Stages	Sinc Output
4 kHz	0x07	512 kHz	8	2	5	32 kHz
2 kHz	0x06	512 kHz	8	4	4,5	16 kHz
1 kHz	0x05	512 kHz	8	8	3,4,5	8 kHz
500 Hz	0x04	512 kHz	8	16	1,3,4,5	4 kHz
333.3 Hz	0x03	512 kHz	8	12	2,4,5	5.33 kHz
250 Hz	0x02	512 kHz	8	8	3,4,5	8 kHz
125 Hz	0x01	512 kHz	8	16	1,3,4,5	4 kHz
62.5 Hz	0x00	512 kHz	8	16	1,3,4,5	4 kHz

¹A 256 kHz input rate is oversampled to match the 512 kHz settings.

Figure 37. Sinc Filter Configurations

Stage 5 of Sinc2 can be modeled as a 6th order sinc filter with a decimate by 2 output. The time domain coefficients are [1, 6, 15, 20, 15, 6, 1], and the frequency domain model is $[(\sin x)/x]^6$.

8.2.3 Sinc Filter Synchronization

The sinc filter is synchronized to the external system by the MSYNC signal, which is generated from the SYNC input. The MSYNC signal sets a reference time (time 0) for all filter operations, and the sinc filter is restarted to phase align with this reference time. See “System Synchronization” on page 77 for information about how the MSYNC signal is generated.

During synchronization, the sinc filter resets all internal address pointers and restarts the filter on the next data input. Existing data in the internal data registers is not cleared, so immediately after synchronization the data from the sinc filter will be a combination of pre-sync and post-sync data.

8.3 FIR Filters

The finite impulse response (FIR) filter block consists of two cascaded filters, FIR1 and FIR2, that can each be programmed with a maximum of 255 coefficients. FIR coefficients in the CS5376 are 24-bit 2’s complement values normalized to 0x7FFFFFFF (decimal 8388607).

The programmed coefficients for the FIR filters are completely arbitrary and can implement any type of finite impulse response filter. Linear phase, minimum phase, phase compensation, or other complex filter types can be used depending on the application requirements. The ability to write and re-write filter coefficients through the SPI 1 port also allows quasi-adaptive filters, though updating coefficients during operation without disrupting the output data stream is not possible.

8.3.1 FIR1 Filter

The FIR1 filter stage has a decimate by 4 or 16 architecture, and can be programmed with a maximum of 255 coefficients. The coefficients should be normalized to 24-bit 2’s complement full scale, 0x7FFFFFFF (decimal 8388607).

The characteristic equation for FIR1 is a convolution of the input values, X(n), and the filter coefficients, h(k), to produce an output value, Y.

$$Y = [h(k)*X(n-k)] + [h(k+1)*X(n-(k+1))] + \dots$$

8.3.2 FIR2 Filter

The FIR2 filter stage has a decimate by 2 or 4 architecture, and can be programmed with a maximum of 255 coefficients. The coefficients should be normalized to 24-bit 2’s complement full scale, 0x7FFFFFFF (decimal 8388607).

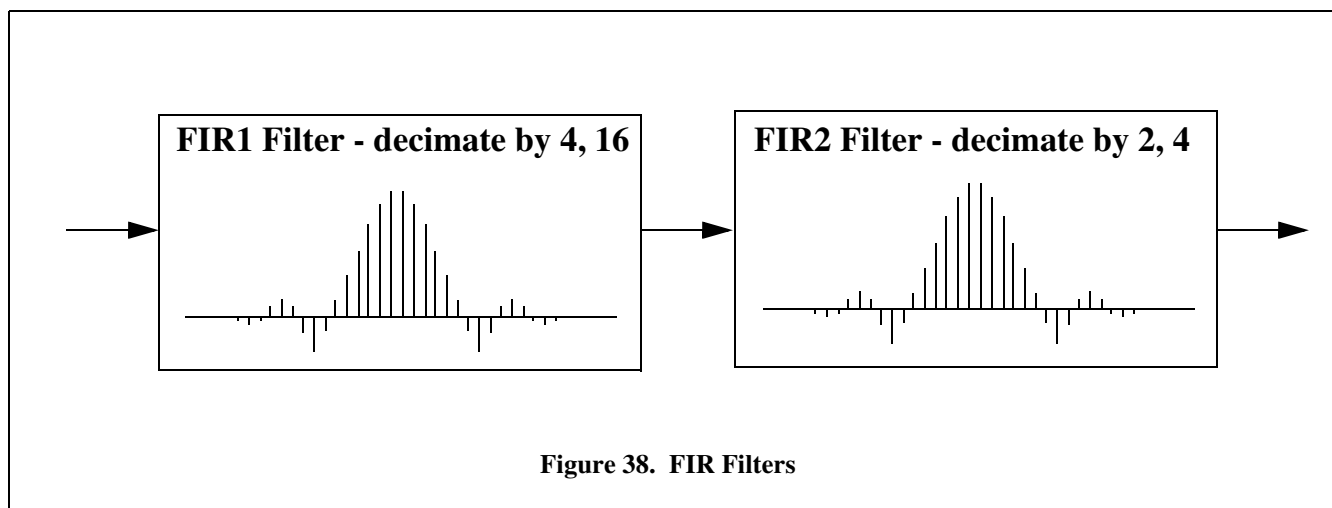


Figure 38. FIR Filters

The characteristic equation for FIR2 is a convolution of the input values, $X(n)$, and the filter coefficients, $h(k)$, to produce an output value, Y .

$$Y = [h(k)*X(n-k)] + [h(k+1)*X(n-(k+1))] + \dots$$

8.3.3 Maximum FIR Coefficients

The maximum number of 255 coefficients can not be used simultaneously for both FIR1 and FIR2. The large maximum size for the FIR filters is intended for applications that require only one FIR filter, or require two FIR filters consisting of a simple filter combined with a more complex filter. The total number of FIR coefficients that can be used depends on the selected decimation engine internal clock rate, the number of enabled conversion channels, and if the IIR filters are enabled.

8.3.4 FIR Coefficient Upload

Custom FIR coefficients are uploaded through the SPI 1 serial port using the ‘Write FIR Coefficients’ command to perform a burst write of both the FIR1 and FIR2 coefficients. See “Serial Peripheral Interface 1” on page 21 for information about how to upload custom FIR coefficients.

8.3.5 FIR Filter Synchronization

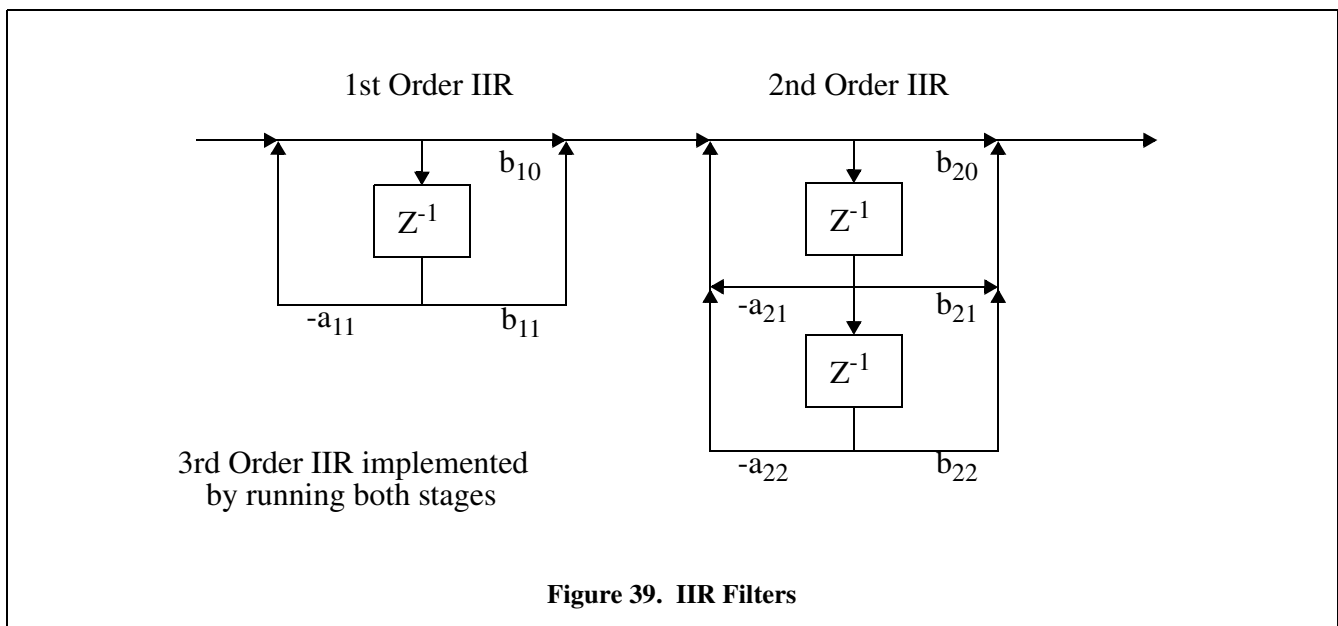
The FIR1 and FIR2 filters are synchronized to the external system by the MSYNC signal, which is generated from the SYNC input. The MSYNC signal sets a reference time (time 0) for all filter operations, and the FIR filters are restarted to phase align with this reference time. See “System Synchronization” on page 77 for information about how the MSYNC signal is generated.

During synchronization, the FIR filters reset all internal address pointers and restart the filter on the next data input. Existing data in the internal data registers is not cleared, so immediately after synchronization the data from the FIR filters will be a combination of pre-sync and post-sync data.

8.4 IIR Filter

The infinite impulse response (IIR) filter is a selectable 1st, 2nd, or 3rd order filter with programmable coefficients. The IIR filter architecture is multi-stage with cascaded 1st order and 2nd order filters, as shown in Figure 39.

The structure of the IIR filter is automatically determined when the output filter stage is selected in the FILT_CFG register. Selection of a 1st order IIR



filter output bypasses the 2nd order stage, while selection of a 2nd order IIR filter output bypasses the 1st order stage. Selection of a 3rd order IIR filter output runs both the 1st and 2nd order IIR filter stages.

8.4.1 1st Order IIR

The 1st order IIR filter stage is a direct form filter with three coefficients: a11, b10, and b11. Coefficients of a 1st order IIR are inherently normalized to one, and should be scaled to 24-bit 2's complement full scale, 0x7FFFFFFF (decimal 8388607).

The characteristic equations for the 1st order IIR include an input value, X, an output value, Y, and two intermediate values, W1 and W2, separated by a delay element (z^{-1}).

$$W2 = W1$$

$$W1 = X + (-a11 * W2)$$

$$Y = (W1 * b10) + (W2 * b11)$$

8.4.2 2nd Order IIR

The 2nd order IIR filter stage is a direct form filter with five coefficients: a21, a22, b20, b21, and b22. Coefficients of a 2nd order IIR are inherently normalized to two, and should be scaled to 24-bit 2's complement full scale, 0x7FFFFFFF (decimal 8388607). Normalization effectively divides the 2nd order coefficients in half relative to the input samples, and requires a modification to the characteristic equations.

The characteristic equations for the 2nd order IIR include an input value, X, an output value, Y, and three intermediate values, W3, W4, and W5, each separated by a delay element (z^{-1}). The following characteristic equations are used to model the operation of the 2nd order IIR filter with unnormalized coefficients.

$$W5 = W4$$

$$W4 = W3$$

$$W3 = X + (-a21 * W4) + (-a22 * W5)$$

$$Y = (W3 * b20) + (W4 * b21) + (W5 * b22)$$

Internally, the CS5376 uses normalized coefficients to perform the 2nd order IIR filter calculation, which changes the algorithm slightly. The following characteristic equations are used to model the operation of the 2nd order IIR filter when using normalized coefficients.

$$W5 = W4$$

$$W4 = W3$$

$$W3 = 2 * [(X / 2) + (-a21 * W4) + (-a22 * W5)]$$

$$Y = 2 * [(W3 * b20) + (W4 * b21) + (W5 * b22)]$$

8.4.3 3rd Order IIR

The 3rd order IIR filter is implemented by running both the 1st order and 2nd order IIR filter stages. This filter can be modeled by cascading the characteristic equations of the 1st order and 2nd order IIR stages, with the 1st order output passed as an input to the 2nd order stage.

8.4.4 IIR coefficient upload

Custom IIR coefficients are uploaded through the SPI 1 serial port using the 'Write IIR Coefficients' command to perform a burst write of both the 1st order and 2nd order IIR coefficients. See "Serial Peripheral Interface 1" on page 21 for information about how to upload custom IIR coefficients.

8.4.5 IIR Filter Synchronization

The IIR filter is not synchronized to the external system directly, only indirectly through the synchronization of the sinc and FIR filters. Because IIR filters have 'infinite' memory, a discontinuity in the input data stream from a synchronization event requires significant time to settle out. The exact settling time depends on the filter coefficient characteristics.

8.5 Reference Coefficients

Included in the CS5376 are reference coefficients for the FIR1, FIR2, 1st order IIR, and 2nd order IIR filters. These coefficients provide excellent performance over the specified CS5376 bandwidth. Use of the reference coefficients minimizes development effort and simplifies system setup.

8.5.1 Reference FIR coefficients

The reference FIR1 coefficient set is a 38 tap linear phase filter, and the reference FIR2 coefficient set is a 126 tap linear phase filter. A listing of the reference FIR coefficients is provided in Figure 40. Note that linear phase coefficients are symmetric so only half of each coefficient set is listed.

The combined FIR1 and FIR2 reference coefficients provide excellent performance for general

FIR1 - 38 Tap Linear Phase (Symmetric, 1/2 Coeff Shown)

h(1) = -3363	h(2) = -12069	h(3) = -27056	h(4) = -43884	h(5) = -36017
h(6) = 17858	h(7) = 128486	h(8) = 266726	h(9) = 321261	h(10) = 179350
h(11) = -228950	h(12) = -821735	h(13) = -1280574	h(14) = -1190828	h(15) = -180214
h(16) = 1820850	h(17) = 4419986	h(18) = 6887230	h(19) = 8388607	

FIR2 - 126 Tap Linear Phase (Symmetric, 1/2 Coeff Shown)

h(1) = -71	h(2) = -371	h(3) = -870	h(4) = -986	h(5) = 34
h(6) = 1786	h(7) = 2291	h(8) = 291	h(9) = -2036	h(10) = -943
h(11) = 2985	h(12) = 3784	h(13) = -1458	h(14) = -5808	h(15) = -1007
h(16) = 7756	h(17) = 5935	h(18) = -7135	h(19) = -11691	h(20) = 3531
h(21) = 17500	h(22) = 4388	h(23) = -20661	h(24) = -15960	h(25) = 18930
h(26) = 29808	h(27) = -9795	h(28) = -42573	h(29) = -7745	h(30) = 49994
h(31) = 33021	h(32) = -47092	h(33) = -62651	h(34) = 29702	h(35) = 90744
h(36) = 4436	h(37) = -109189	h(38) = -54172	h(39) = 109009	h(40) = 114154
h(41) = -81993	h(42) = -174452	h(43) = 22850	h(44) = 221211	h(45) = 68863
h(46) = -238025	h(47) = -187141	h(48) = 208018	h(49) = 318763	h(50) = -116005
h(51) = -443272	h(52) = -49958	h(53) = 533334	h(54) = 298975	h(55) = -553873
h(56) = -642475	h(57) = 454990	h(58) = 1113788	h(59) = -137179	h(60) = -1854336
h(61) = -766230	h(62) = 3875315	h(63) = 8388607		

IIR 1st Order Coefficients

a11 = -8286568	b10 = 8286570	b11 = -8286570
----------------	---------------	----------------

IIR 2nd Order Coefficients

a21 = -8336965	a22 = 4143286	b20 = 4194304	b21 = -8388607	b22 = 4194303
----------------	---------------	---------------	----------------	---------------

Figure 40. Reference Coefficients

purpose applications. The FIR1 reference coefficients are a compensation filter, with a slight rise in the pass band magnitude to compensate for the sinc filter droop. The FIR2 reference coefficients are a brickwall filter with excellent stop band roll off and out-of-band attenuation.

The FIR reference coefficients have a flat response over a 40% f_s pass band with in-band ripple less than ± 0.01 dB, a 10% f_s stop band (from 40% f_s to 50% f_s), and out-of-band attenuation greater than 130 dB.

The FIR filter absolute performance characteristics scale with sample frequency, f_s . For a 1kHz output word rate (1ms output period), using the FIR reference coefficients results in a 400 Hz pass band with in-band ripple less than ± 0.01 dB, a 100 Hz stop band between 400 Hz and 500 Hz, and greater than 130 dB out-of-band attenuation for frequencies above 500 Hz.

8.5.2 Reference IIR coefficient set

The reference IIR coefficients are separated into 1st order and 2nd order stages. The IIR stages implement a 1st order and 2nd order Butterworth filter, with a 3rd order filter implemented by running both stages. A listing of the reference IIR coefficients is provided in Figure 40.

The combined 1st order and 2nd order IIR reference coefficients provide excellent performance for general purpose applications. Cascading the 1st and 2nd order IIR coefficients creates a 3rd order low-cut filter with a -3 dB corner at 2% f_s .

The IIR filter low-cut corner frequency scales with the sample frequency, f_s . For a 1kHz output word rate (1ms output period), the IIR reference coefficients cut frequencies as a 3rd order Butterworth filter between DC and 2.0 Hz.

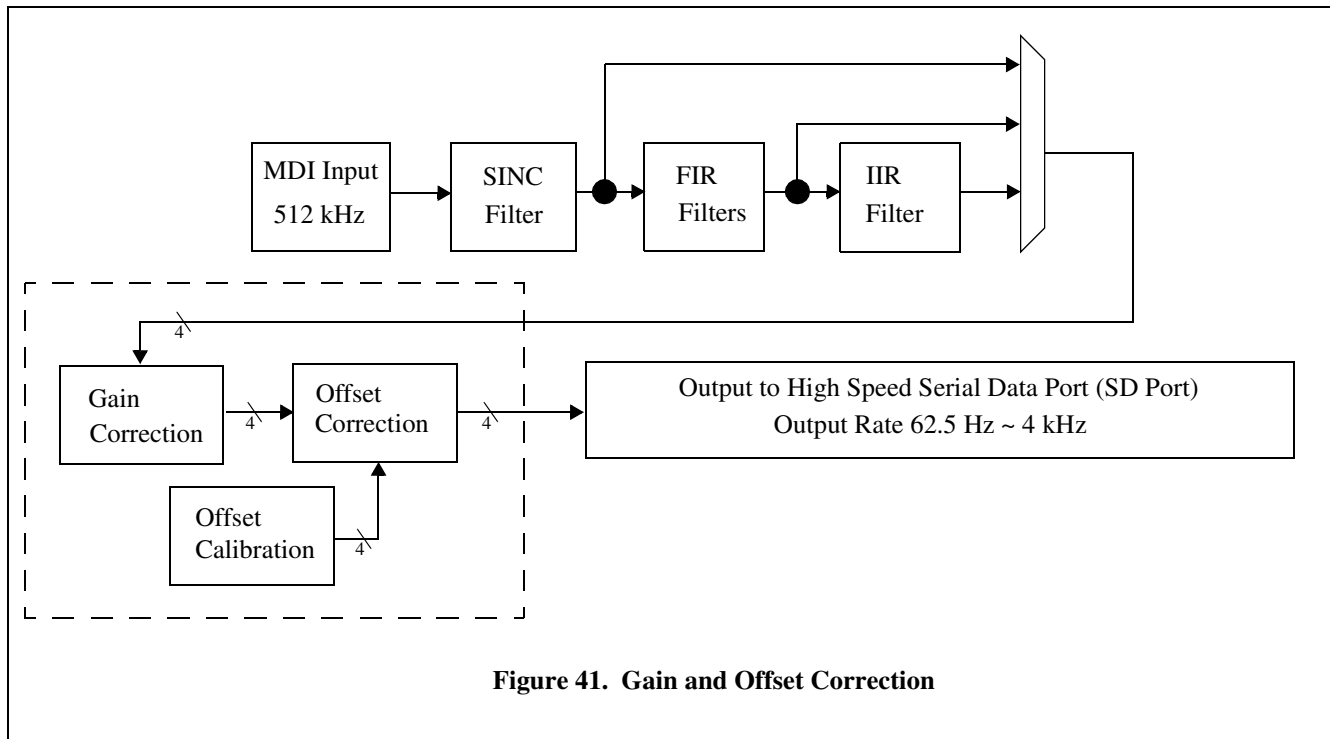


Figure 41. Gain and Offset Correction

9. GAIN AND OFFSET CORRECTION

The CS5376 can apply gain and offset corrections to the digitally filtered data in each measurement channel. Gain correction uses scaling values written to the GAIN registers (0x21-0x24), while offset correction uses values written to the OFFSET registers (0x25-0x28).

In addition to the gain and offset corrections, an offset calibration algorithm is included in the CS5376 that automatically calculates offset correction values for each channel and writes them into the OFFSET registers.

9.1 Gain Correction

Gain correction in the CS5376 is used to normalize sensor gain across multi-sensor networks. It requires externally calculated scale values to be written into the GAIN1, GAIN2, GAIN3, and GAIN4 registers.

Gain correction values are 24-bit 2's complement values with unity gain defined as full scale, 0x7FFFFFFF (decimal 8388607). Gain correction is

always a fractional multiplication, and can never gain the digital filter data greater than one.

$$\text{Output Value} = \text{Data} * (\text{GAIN} / 0x7FFFFFFF)$$

$$\text{Unity Gain: GAIN} = 0x7FFFFFFF$$

$$50\% \text{ Gain: GAIN} = 0x3FFFFFFF$$

$$\text{Zero Gain: GAIN} = 0x000000$$

Once the GAIN registers are written, the USEGR bit (bit 12) in the FILT_CFG register enables gain correction.

9.1.1 Gain Register Calculation

The calculation of gain correction values is made externally to the CS5376, and the results written into the GAIN registers. Calculated gain correction values depend on two factors; the minimum gain of all sensors in the measurement network, and the relative gain of individual sensors to that minimum gain.

The relative gain of each sensor is determined by applying a standardized input signal and measuring

the maximum and minimum data values from the CS5376.

$$\text{Relative Gain} = [(\text{maximum} - \text{minimum}) / 2]$$

The lowest value of relative gain from all sensors in a measurement network determines a standard gain value.

$$\text{Standard Gain} = \text{minimum relative gain}$$

The gain correction value for a specific measurement channel is calculated as the value required to scale that sensor's relative gain down to the standard gain value.

$$\text{Gain Correction} = [(\text{standard gain} / \text{relative gain}) * 0x7FFFFFFF]$$

Once calculated, a sensor's gain correction value is written to the GAIN register for that measurement channel.

9.2 Offset Correction

Offset correction in the CS5376 is used to cancel the DC bias in a measurement channel. It uses values from the OFFSET1, OFFSET2, OFFSET3, and OFFSET4 registers to shift the output data and eliminate systematic offsets. Offset correction values are 24-bit 2's complement with a maximum positive value of 0x7FFFFFFF (decimal 8388607), and a maximum negative value of 0x800000 (decimal 8388608).

Calculation of offset correction values is performed manually using output data from each channel, or automatically using the internal offset calibration algorithm. When offset correction values are calculated manually, they must be written into the OFFSET registers. When using the offset calibration algorithm, the calculated offset correction values are written to the OFFSET registers automatically. Once the OFFSET registers are written, the USE-OR bit (bit 13) in the FILT_CFG register enables offset correction.

Offset correction is a simple subtraction of the offset correction value from the output data, with overflow protection ensuring the corrected value does not exceed the maximum limits. If offset correction causes the output data to exceed a 24-bit 2's complement maximum, the output data value will saturate.

$$\text{Output Value} = \text{Data} - \text{Offset Correction}$$

$$\text{Max Positive Output Value} = 0x7FFFFFFF$$

$$\text{Max Negative Output Value} = 0x800000$$

9.2.1 Offset Register Calculation

An offset correction value manual calculation uses output data from the CS5376 when no signal is input to the sensor. Background noise measurements are averaged to determine the DC bias present in the measurement channel.

$$\text{DC Offset} = [\text{Sum}(\text{Noise Data}) / \text{Num Data}]$$

Once determined, the manually calculated offset correction value is written to the OFFSET register for that channel.

9.3 Offset Calibration

An offset calibration algorithm is included in the CS5376 to automatically calculate offset correction values. When using the offset calibration algorithm, no signal should be present on the sensor. Background noise data is used to calculate an average offset value for each measurement channel.

Offset calibration is an exponential averaging function that places increased weight on current input samples. The exponential weighting factor is set by the EXP bits (bits 16-20) in the FILT_CFG register. Increasing the exponent value applies greater weight to earlier samples and produces a smoother averaging function requiring a longer settling time. Decreasing the exponent value applies greater weight to later samples and produces a noisier averaging function requiring a shorter settling time. Typical exponential values range from 0x05 to

0x0F (decimal 5 to 15), depending on the available time to settle the algorithm.

Once the EXP bits are written, the ORCAL bit (bit 14) in the FILT_CFG register is set to enable offset calibration. When enabled, background noise measurements are averaged using the exponential averaging routine, with updated offset correction values automatically written to the OFFSET registers. When the exponential algorithm settles the ORCAL bit is cleared to disable offset calibration, and the values in the OFFSET registers are no longer

updated. The last values written to the OFFSET registers are used as the final offset correction values.

The characteristic equations for the exponential offset calibration algorithm include an input value, X, an output value, Y, a summation value, YSUM, a sample index, n, and an exponential value, N.

$$Y(n) = X(n) - [YSUM(n-1) \gg N]$$

$$YSUM(n) = Y(n) + YSUM(n-1)$$

$$\text{Offset Correction} = YSUM \gg N$$

9.3.1 *FILT_CFG Register*

Figure 42. Filter Configuration Register **FILT_CFG**

(MSB) 23	22	21	20	19	18	17	16
--	--	--	EXP4	EXP3	EXP2	EXP1	EXP0
R/W	R/W	R/W	R/W	R/W	R/W	R/W	R/W
0	0	0	0	0	0	0	0

15	14	13	12	11	10	9	8
--	ORCAL	USEOR	USEGR	--	FSEL2	FSEL1	FSEL0
R/W	R/W	R/W	R/W	R/W	R/W	R/W	R/W
0	0	0	0	0	0	0	0

7	6	5	4	3	2	1	(LSB) 0
--	DEC2	DEC1	DEC0	--	--	CH1	CH0
R/W	R/W	R/W	R/W	R/W	R/W	R/W	R/W
0	0	0	0	0	0	0	0

I/O Address: 0x20

-- Not defined; read as 0

R Readable

W Writable

R/W Readable and Writable

Bits in bottom rows are reset condition

Bit definitions:

23:21	--	reserved	15	--	reserved	7	--	reserved
21:16	EXP[4:0]	DC Offset Calibration Routine Exponent (Determines sensitivity of DC offset calibration routine)	14	ORCAL	Offset Register Calibration Routine Enable 1: enabled 0: disabled	6:4	DEC[2:0]	Decimation Rate, Output Word Rate 111: 4 kHz 110: 2 kHz 101: 1 kHz 100: 500 Hz 011: 333.3 Hz 010: 250 Hz 001: 125 Hz 000: 62.5 Hz
			13	USEOR	Use Offset Register Correction 1: enabled 0: disabled	3:2	--	reserved
			12	USEGR [11:8]	Use Gain Register Correction 1: enabled 0: disabled	1:0	CH[1:0]	Channel Enable 11: 3 Channel (1, 2, 3) 10: 2 Channel (1, 2) 01: 1 Channel (1 only) 00: 4 Channel (1, 2, 3, 4)
			11	--	reserved			
			10:8	FSEL[2:0]	Output Filter Select 111: reserved 110: reserved 101: IIR 3rd Order 100: IIR 2nd Order 011: IIR 1st Order 010: FIR2 Output 001: FIR1 Output 000: Sinc Output			

9.3.2 GAIN1 - GAIN4 Registers

Figure 43. Gain Correction Register GAIN1

(MSB) 23	22	21	20	19	18	17	16
GAIN23	GAIN22	GAIN21	GAIN20	GAIN19	GAIN18	GAIN17	GAIN16
R/W	R/W	R/W	R/W	R/W	R/W	R/W	R/W
0	0	0	0	0	0	0	0
15	14	13	12	11	10	9	8
GAIN15	GAIN14	GAIN13	GAIN12	GAIN11	GAIN10	GAIN9	GAIN8
R/W	R/W	R/W	R/W	R/W	R/W	R/W	R/W
0	0	0	0	0	0	0	0
7	6	5	4	3	2	1	(LSB) 0
GAIN7	GAIN6	GAIN5	GAIN4	GAIN3	GAIN2	GAIN1	GAIN0
R/W	R/W	R/W	R/W	R/W	R/W	R/W	R/W
0	0	0	0	0	0	0	0

I/O Address: 0x21

-- Not defined;
read as 0

R Readable

W Writable

R/W Readable and
Writable

Bits in bottom rows
are reset condition

Bit definitions:

23:16	GAIN[23:16]	Gain Correction Upper Byte	15:8	GAIN[15:8]	Gain Correction Middle Byte	15:8	GAIN[7:0]	Gain Correction Lower Byte
-------	-------------	-------------------------------	------	------------	--------------------------------	------	-----------	-------------------------------

9.3.3 OFFSET1 - OFFSET4 Registers

Figure 44. Offset Correction Register OFFSET1

(MSB) 23	22	21	20	19	18	17	16
OFST23	OFST22	OFST21	OFST20	OFST19	OFST18	OFST17	OFST16
R/W	R/W	R/W	R/W	R/W	R/W	R/W	R/W
0	0	0	0	0	0	0	0
15	14	13	12	11	10	9	8
OFST15	OFST14	OFST13	OFST12	OFST11	OFST10	OFST9	OFST8
R/W	R/W	R/W	R/W	R/W	R/W	R/W	R/W
0	0	0	0	0	0	0	0
7	6	5	4	3	2	1	(LSB) 0
OFST7	OFST6	OFST5	OFST4	OFST3	OFST2	OFST1	OFST0
R/W	R/W	R/W	R/W	R/W	R/W	R/W	R/W
0	0	0	0	0	0	0	0

I/O Address: 0x25

-- Not defined;
read as 0
R Readable
W Writable
R/W Readable and
Writable

Bits in bottom rows
are reset condition

Bit definitions:

23:16	OFST[23:16]	Offset Correction Upper Byte	15:8	OFST[15:8]	Offset Correction Middle Byte	7:0	OFST[7:0]	Offset Correction Lower Byte
-------	-------------	---------------------------------	------	------------	----------------------------------	-----	-----------	---------------------------------

10. SERIAL DATA OUTPUT PORT

After digital filtering is completed, each 24-bit output sample is combined with an 8-bit status word. This 32-bit data word is written to an 8-deep FIFO buffer and then transmitted to the communications interface through the high speed serial data output port (SD port).

The buffering provided by the SD port data FIFO relaxes the timing requirements for polling conversion data from the CS5376. When running a 4-channel digital filter, the communications controller can delay up to 2 output periods before requesting data from the SD port. A 1-channel or 2-channel system has even longer delays before the FIFO data is overwritten.

10.1 SD Port Pin Descriptions

SDTKI - Pin 64

Input signal which will initiate $\overline{\text{SDRDY}}$ signaling to start an SD port transaction.

$\overline{\text{SDRDY}}$ - Pin 61

Signal which goes low to indicate that 32-bit conversion words are available to be clocked out of the SDDAT pin.

SDCLK - Pin 62

Input clock which determines the rate at which the SDDAT bits are output. Data is valid on rising edges of SDCLK, and transitions on falling edges.

SDDAT - Pin 60

Serial data output for conversion words from the CS5376. Formatted to output a 32-bit digital word consisting of one status byte followed by a three byte conversion word.

SDTKO - Pin 63

Output signal which indicates the current SD port transaction has been completed.

SDTKI - Serial Data Chip Select Input, pin 64

Input signal which will initiate $\overline{\text{SDRDY}}$ signaling to start an SD port transaction.

$\overline{\text{SDRDY}}$ - Serial Data Ready Output, pin 61

Signal which goes low to indicate that 32-bit conversion words are available to be clocked out of the SDDAT pin.

SDCLK - Serial Data Clock Input, pin 62

Input clock which determines the rate at which the SDDAT bits are output. Data is valid on rising edges of SDCLK, and transitions on falling edges.

SDDAT - Serial Data Output, pin 60

Serial data output for conversion words from the CS5376. Formatted to output a 32-bit digital word consisting of one status byte followed by a three byte conversion word.

SDTKO - Serial Data Chip Select Output, pin 63

Output signal which indicates the current SD port transaction has been completed.

Figure 45. Serial Data Output Port Pins

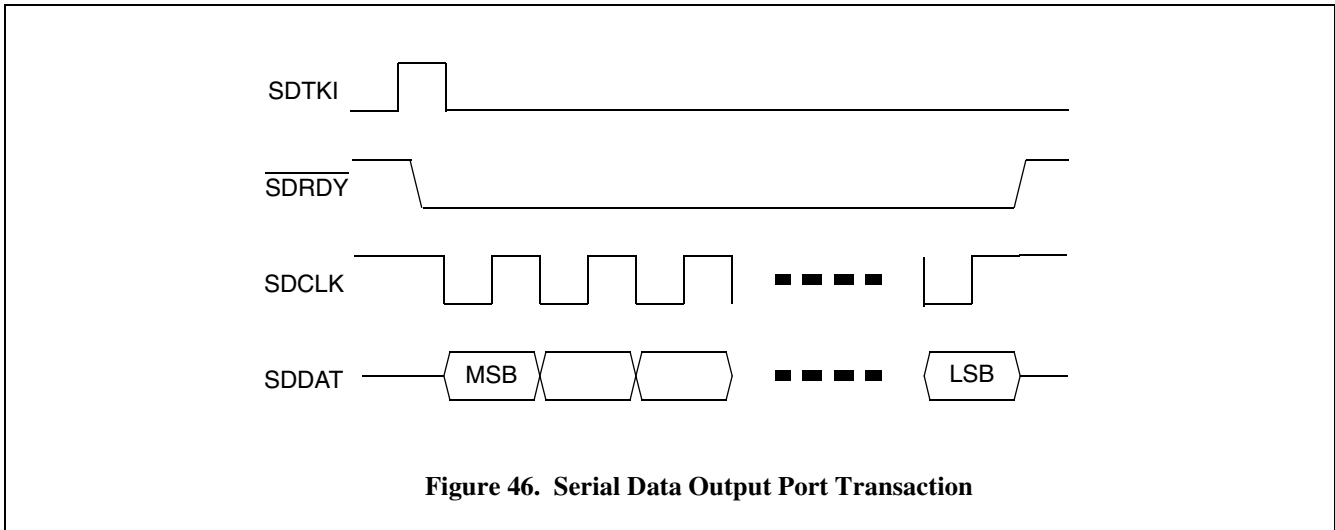


Figure 46. Serial Data Output Port Transaction

10.2 Serial Data Transactions

To initiate a serial data output port transaction, the SDTKI chip select pin must receive a rising edge. If output data words are available in the data FIFO, the CS5376 immediately pulls the SDRDY pin low to signal the start of an SD port transaction. The SD port holds SDRDY low until all data has been clocked from the data FIFO.

Once SDRDY goes low, the communications controller pulls 32-bit data words MSB first from the SDDAT output pin by clocking the SDCLK input pin. Serial data on the SDDAT output pin is valid on the rising edge of SDCLK, and transitions on the falling edge. The first eight data bits are a status byte that indicates the channel number, the time break flag, and any error conditions. The status byte is followed by 24 bits of two’s complement conversion data for the indicated channel. For systems that don’t require status information, the status byte can be ignored by receiving the 32 bit data word into a 24-bit shift register. Clocking 32 bits into a 24-bit register causes the status bits to shift out the end.

When the last available data bit is clocked from the SD port data FIFO, the SDRDY pin returns high and the SDTKO pin will pulse to signal the end of the SD port transaction. SDTKO can be used to sig-

nal the communications controller of the end of a transaction, or can be used to daisy chain multiple CS5376 devices into a simple token ring by connecting it to the SDTKI pin of another CS5376 device.

If the SDTKI pin receives a rising edge and no words are available in the data FIFO, the SDRDY pin remains high and the SDTKO output pin is pulsed immediately.

10.3 SD Port Configurations

The SD port can operate in two configurations, a continuous output configuration where data is output immediately when ready, or a requested output configuration where data is output only when polled by the communications controller.

Continuous Output Configuration

The continuous output SD port configuration requires the SDTKI pin to receive continuous rising edges. A simple method for generating rising edges on SDTKI is to connect it to a 4 MHz or slower system clock. Whenever output data is available from the decimation engine, a rising edge on SDTKI initiates an SD port transaction.

Once an SD port transaction is initiated, the SDTKI signal must be gated off to ensure no rising edges

occur during the transaction. The easiest way to guarantee this is to gate the SDTKI input signal with the SDRDY output signal using an AND gate. When an SD port transaction is initiated, the SDRDY signal is driven low by the CS5376 which gates off the SDTKI input. When the SD port transaction is complete, the SDRDY signal automatically returns high to re-enable the SDTKI input.

Requested Output Configuration

When using the SD port in a requested output configuration, a single pulse to the SDTKI pin initiates an SD port transaction. The pulse is generated by a controller that schedules the data into the communication network. Because data is requested only when the controller is ready to receive, local data buffering between the CS5376 and the communication network is not required.

Once the SD port transaction is completed, the SDTKO output pin automatically generates a pulse that can trigger the SDTKI pin of another CS5376. In this way a pulse ‘token’ started by the communications controller can pass through a series of dai-

sy-chained CS5376 devices, initiating SD port transactions in each. The final CS5376 SDTKO output can be returned to the controller to signal the end of a polling cycle.

10.4 SD Port Data Format

Each serial transaction is composed of a series of 32-bit words. The first 8 bits of each word are status information containing an MFLAG indicator, channel number bits, a time break flag, and a port overflow flag. The last 24 bits of each output word are the conversion data for the indicated channel. The status and data sections of an output word are shown in Figure 47.

MFLAG Indicator Bit - MFLAG

The MFLAG indicator is set whenever the MFLAG signal is received from the modulators on the MFLAG1-MFLAG4 pins. Each conversion channel has an independent MFLAG input, and the MFLAG indicator is independently set in the output word for each channel.

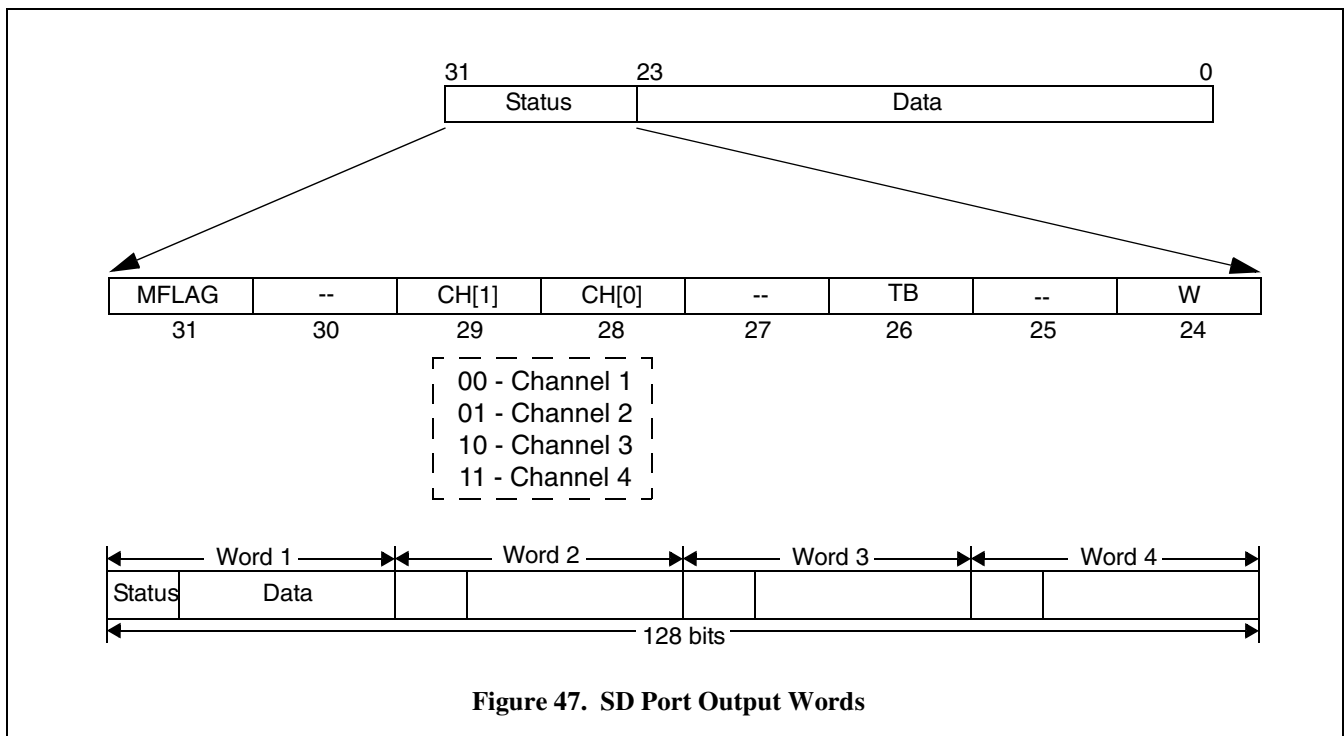


Figure 47. SD Port Output Words

No delay occurs between receiving the MFLAG signal from the modulators and being output in the SD port status word. Depending on the group delay of the digital filters, the invalid data from the modulator will not be output for several conversion words after receiving the MFLAG signal. Also, after recovery of the modulator and clearing of the MFLAG signal, some number of conversion words are required before the digital filter will again output valid data.

See “Modulator Data Interface” on page 49 for more information about the MFLAG signal from the modulators.

Channel Number Bits - CH[1:0]

The channel number bits indicate which conversion channel the data word is from. One CS5376 can filter data for up to four modulators, the channel number field encodes which modulator the current data word is from. Note that the channel number, CH[1:0], is zero based.

- CH[1:0] = 00 = Channel 1
- CH[1:0] = 01 = Channel 2
- CH[1:0] = 10 = Channel 3
- CH[1:0] = 11 = Channel 4

Time Break Flag - TB

The time break flag marks a timing reference in the output data stream. When a rising edge is received on the TIMEB pin a time break event is initiated. The decimation engine writes the TB flag in the status byte of the SD port output after a delay programmed in the TIMEBRK register (0x29). The TB flag is set in one output word for all enabled conversion channels. See “Time Break Function” on page 75 for more information about how the time break function is used as a timing reference.

Port Overflow Flag - W

The port overflow flag indicates an overflow condition in the SD port data FIFO, and is set by hardware when the decimation engine overwrites a FIFO register whose data has not been sent. The W flag is independently set for each output word and channel.

Conversion Data Word

The last 24 bits of the SD port output word is the conversion data for the specified channel. The conversion data is a 24-bit two’s complement value. See “Digital Decimation Filter” on page 53 for more information how conversion data is generated in the digital filters.

11. TIME BREAK FUNCTION

A time break event places a timing reference flag in the output data stream. This flag is used during post-processing to assign an absolute timing to the digital samples and to time sync data from multiple measurement channels.

To use the time break function, an externally generated timing reference signal is applied to the TIMEB pin to initiate an internal sample counter. After a certain number of output samples, programmed in the TIMEBRK register (0x29), the TB flag is set in the status byte of the output data word of all enabled channels. The TB flag is automatically cleared for the next data word, and appears for only one output sample in each channel.

The programmable sample counter compensates for group delay through the digital filters. When the proper group delay is programmed into the TIMEBRK register, the TB flag is set in the output data word representing the instant the timing reference signal was received. Without compensation for group delay, the TB flag would be set in the output data word immediately upon receipt and would precede the sample for the timing reference signal.

11.1 Time Break Pin Description

TIMEB - Pin 57

Time break input pin. A rising edge on the TIMEB pin signals the decimation engine to set the time break (TB) flag in the output status word for the sample representing the current sampling instant.

The rising edge can occur asynchronously to the CS5376 and is handled as a priority interrupt. To

guarantee the time break input is recognized by the CS5376, it should be held a minimum of one master clock period, nominally 32.768 MHz.

11.2 Time Break Delay

The TIMEBRK register (0x29) sets the delay between receiving the rising edge on the TIMEB pin and output of the TB flag in the data stream. The delay through the CS5376 digital filters depends on several factors; the sinc filter decimation rate, the number of coefficients in FIR1 and FIR2, and the delay through the IIR filters.

The total group delay can be determined empirically by applying the timing reference signal rising edge to both the TIMEB pin and the modulator analog inputs. When a rising edge is received on the TIMEB pin with no delay programmed into the TIMEBRK register, the TB flag is set immediately in the next output data word. After some delay, the rising edge on the modulator inputs will be seen in the output data stream. The total group delay of the measurement channel is the number of samples between the TB flag being set and the appearance of the impulse in the data stream.

11.3 TB Flag Output

The time break flag (TB flag) marks the timing reference in the output data stream. The decimation engine writes the TB flag to the status byte of the SD port. The TB flag is set in all enabled conversion channels for one output data word. See “Serial Data Output Port” on page 71 for more information about the SD port status byte.

TIMEB - Time Break, pin 57

Time break input. Signals the decimation engine to set the time break (TB) flag in the output status word for the sample representing the current sampling instant.

Figure 48. Time Break Pin

11.3.1 TIMEBRK Register
Figure 49. Time Break Counter Register TIMEBRK

(MSB) 23	22	21	20	19	18	17	16
TBRK23	TBRK22	TBRK21	TBRK20	TBRK19	TBRK18	TBRK17	TBRK16
R/W	R/W	R/W	R/W	R/W	R/W	R/W	R/W
0	0	0	0	0	0	0	0
15	14	13	12	11	10	9	8
TBRK15	TBRK14	TBRK13	TBRK12	TBRK11	TBRK10	TBRK9	TBRK8
R/W	R/W	R/W	R/W	R/W	R/W	R/W	R/W
0	0	0	0	0	0	0	0
7	6	5	4	3	2	1	(LSB) 0
TBRK7	TBRK6	TBRK5	TBRK4	TBRK3	TBRK2	TBRK1	TBRK0
R/W	R/W	R/W	R/W	R/W	R/W	R/W	R/W
0	0	0	0	0	0	0	0

I/O Address: 0x29	
--	Not defined; read as 0
R	Readable
W	Writable
R/W	Readable and Writable
Bits in bottom rows are reset condition	

Bit definitions:

23:16	TBRK[23:16]	Time Break Counter Upper Byte	15:8	TBRK[15:8]	Time Break Counter Middle Byte	7:0	TBRK[7:0]	Time Break Counter Lower Byte
-------	-------------	----------------------------------	------	------------	-----------------------------------	-----	-----------	----------------------------------

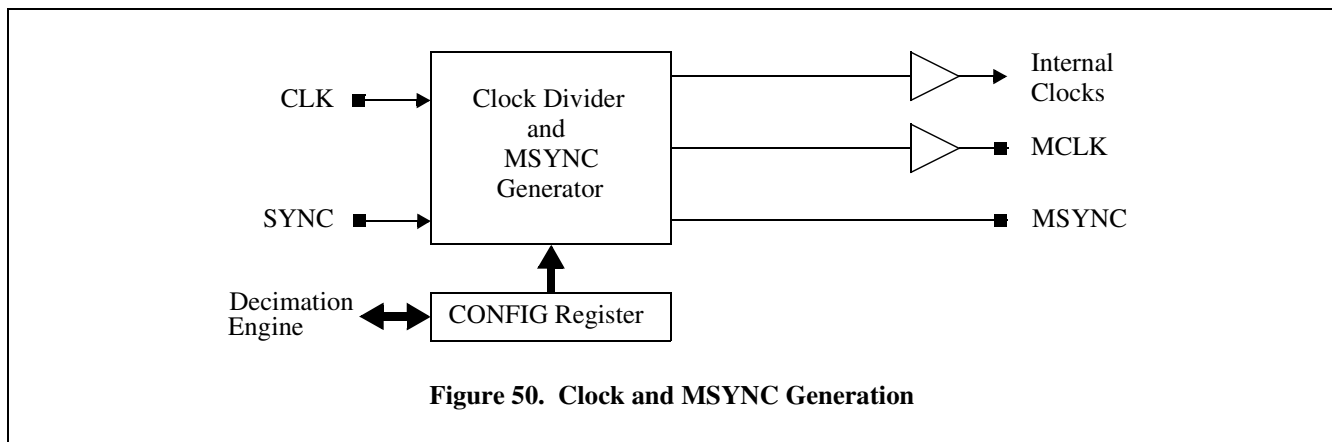


Figure 50. Clock and MSYNC Generation

12. SYSTEM SYNCHRONIZATION

In many applications the CS5376 is used to create a distributed measurement network. To be useful, data sets from multiple sensors in a network must have a known timing relationship between them. Synchronous multi-sensor data can be combined during post-processing to provide much more information than data from only a single sensor. To establish a standardized timing relationship between sensors, the CS5376 can be synchronized with the external network.

12.1 Synchronous Clocking

The CS5376 uses an input clock of 32.768 MHz and divides it down to generate internal clock frequencies of 8.192 MHz, 4.096 MHz, 2.048 MHz, 1.024 MHz, 512 kHz, 256 kHz, 128 kHz, and 32 kHz. Clock rates for the decimation engine, watch-

dog timer, sinc filter, and modulator are selected from these generated clocks via the CONFIG register (0x00).

When the input clock is synchronous to the external network, the internal clocks of the CS5376 will also be synchronous. A synchronous input clock can only be guaranteed by careful design of clock distribution in the external network. See “System Design” on page 13 for more information about the design requirements for a synchronous clock distribution network.

12.2 Synchronization Signals

In addition to synchronous clocking, the signal measurement and analysis functions should be phase aligned. To accomplish this the CS5376 has a synchronization input pin, SYNC, that phase aligns the modulator clocks and digital filters.

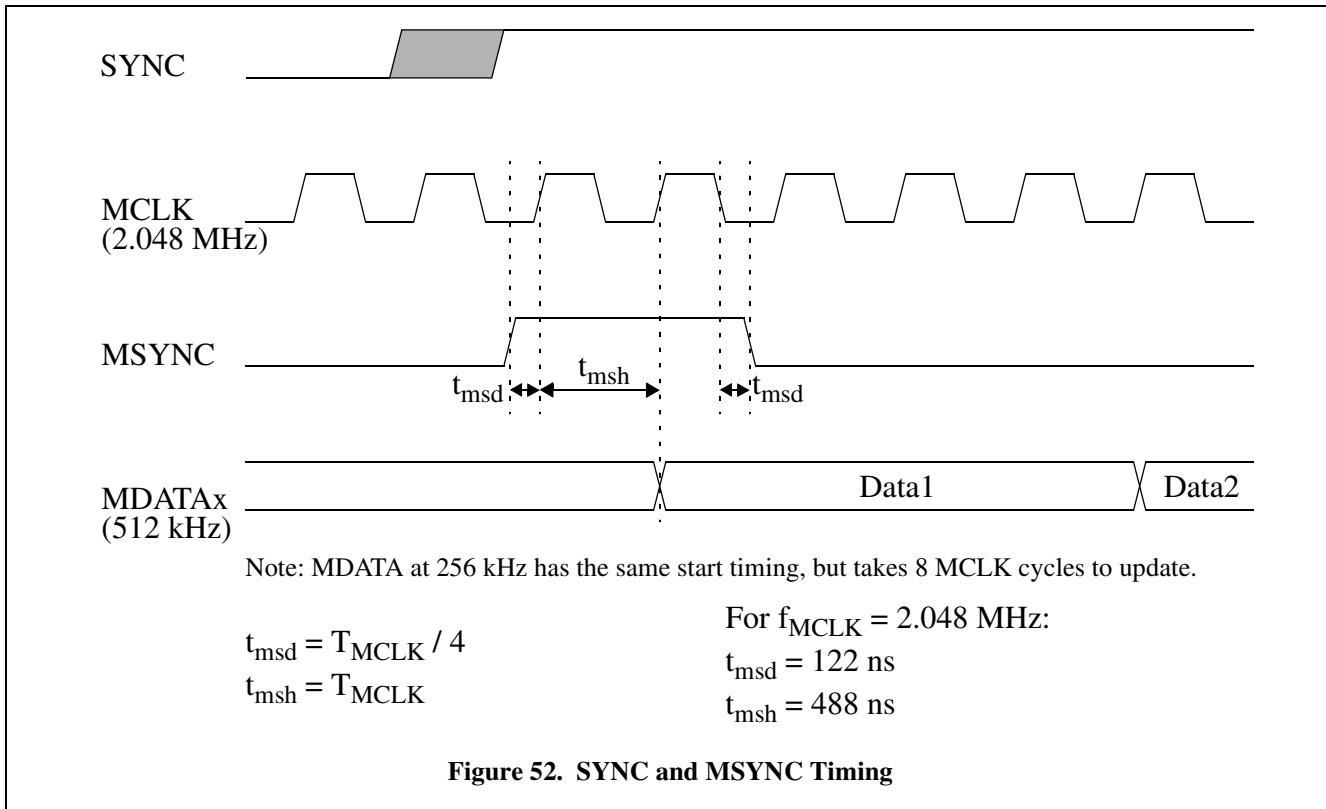
SYNC - Device Synchronization Input Signal, pin 59

Input synchronization signal. MSYNC is generated from a rising edge on this pin to synchronize the modulators, sinc filter, and decimation engine.

MSYNC - Modulator Sync Output, pin 14

A transition from logic low to high reinitializes the modulator timing to be synchronous with the timing of the CS5376. Generated from the SYNC input signal.

Figure 51. Synchronization Pins



The SYNC signal must be distributed across a network so that it arrives at every measurement node simultaneously. This can only be guaranteed by careful design of the SYNC signal distribution in the network. See “System Design” on page 13 for more information about the design requirements for the SYNC signal in an external network.

12.3 CS5376 Internal Synchronization

The SYNC signal rising edge is used to generate an internal re-timed synchronization signal, MSYNC, as shown in Figure 52. The MSYNC signal is used internally to reinitialize the sinc filters, decimation engine, serial data output port, time break counter, and test bit stream generator. It is also output to the MSYNC pin to phase align the modulator sampling instants, giving precise sample timing across the network.

The MSEN bit in the CONFIG register (0x00) enables MSYNC generation. When MSEN is enabled, the MSYNC output signal is generated and MSYNC is used as an internal synchronization signal when a rising edge is detected on the SYNC pin. When MSEN is disabled, the MSYNC output remains low and the internal blocks are not affected by the SYNC signal.

12.3.1 Sinc Filter Synchronization

The sinc filters use the rising edge of MSYNC to reset the internal state machine and data pointers. While the data pointers used to access the sinc filter registers are reset, the registers themselves are not cleared. The initial output data from the sinc filters after an MSYNC event will be a combination of pre-sync and post-sync data. Valid data is output once all the sinc filter registers have been overwritten with new data.

12.3.2 Decimation Engine Synchronization

The decimation engine uses the rising edge of MSYNC to reset the FIR filter data pointers. Similar to the sinc filters, the FIR data pointers are reset but the data registers themselves are not cleared. After an MSYNC event the initial output data from the FIR filters will be a combination of pre-sync and post-sync data. Valid data is output once all data registers have been overwritten with new data. Note that the IIR filters are not directly affected by a synchronization event, but will require time to settle due to the FIR filter output discontinuity.

12.3.3 SD Port Synchronization

The serial data output port uses the rising edge of MSYNC to re-initialize the output data FIFO. Both the write and read pointers are reset, and the data registers are cleared. The CS5376 requires one output period to pass after an MSYNC event before data is available from the SD port.

12.3.4 Time Break Synchronization

The time break function is disabled by a MSYNC event since MSYNC disturbs filter operations. The time break timing reference in the output data stream depends on the group delay of the digital filters. When a synchronization event occurs, the filter group delay is no longer consistent which renders the time break delay invalid.

The rising edge of MSYNC automatically clears the current time break countdown value and disables the time break output flag, but does not affect

the programmed counter initialization value in the TIMEBRK register (0x29).

12.3.5 Test Bit Stream Synchronization

When the test bit stream generator is enabled, the rising edge of an MSYNC signal resets the TBS data pointer. This restarts the test bit stream from the first data point, and establishes a known phase in the output signal.

In the internal test bit stream data set, the first data point is the initial positive going data value of a 1024 point sine wave. An MSYNC event will therefore restart the test bit stream generator at zero degrees phase when using the internal data set.

The first data value of a custom test bit stream data set can be defined to be anywhere in the test signal. This permits setting the test bit stream generator output phase by defining the first data point to be a non-zero degree phase of the test signal.

12.4 Modulator Synchronization

The generated MSYNC signal is used internally to synchronize the CS5376, but is also output to the MSYNC pin to phase align the modulator sampling. Since high precision modulators such as the CS5372 require multiple MCLK phases to complete a conversion, unsynchronized modulators can have random sampling instants relative to each other. The MSYNC signal guarantees all modulators in a network have the same sampling instant.

12.4.1 CONFIG Register

Figure 53. Decimation Engine Configuration Register CONFIG

(MSB)23	22	21	20	19	18	17	16
--	--	--	--	--	DFS2	DFS1	DFS0
R/W	R/W	R/W	R/W	R/W	R/W	R/W	R/W
0	0	0	0	0	1	0	1

15	14	13	12	11	10	9	8
--	WDFS2	WDFS1	WDFS0	--	MCKFS2	MCKFS1	MCKFS0
R/W	R/W	R/W	R/W	R/W	R/W	R/W	R/W
0	0	0	0	0	1	0	0

7	6	5	4	3	2	1	(LSB)0
--	--	MCKEN2	MCKEN	MDIFS	SBY	BOOT	MSEN
R/W	R/W	R/W	R/W	R/W	R/W	R	R/W
0	0	0	0	0	0	0	1

I/O Address: 0x00

-- Not defined;
read as 0
R Readable
W Writable
R/W Readable and
Writable

Bits in bottom rows
are reset condition

Bit definitions:

23:19	--	reserved	15	--	reserved	7:6	--	reserved
18:16	DFS [2:0]	Decimation Engine Frequency Select 111: reserved 110: 8.192 MHz 101: 4.096 MHz (default) 100: 2.048 MHz 011: 1.024 MHz 010: 512 kHz 001: 256 kHz 000: 32 kHz	14:12	WDFS [2:0]	Watchdog Frequency Select 111: reserved 110: 8.192 MHz 101: 4.096 MHz 100: 2.048 MHz 011: 1.024 MHz 010: 512 kHz 001: 256 kHz 000: 32 kHz (default)	5	MCKEN2	MCLK/2 Output Enable
						4	MCKEN	MCLK Output Enable
						3	MDIFS	MDI Frequency Select: 1: 256 kHz 0: 512 kHz (default)
						2	SBY	Standby 1: DE in low power, low frequency mode 0: DE normal operation
			11	--	reserved			
			10:8	MCKFS [2:0]	MCLK Frequency Select 111: reserved 110: reserved 101: 4.096 MHz 100: 2.048 MHz (default) 011: 1.024 MHz 010: 512 kHz 001: reserved 000: reserved	1	BOOT	Boot Source Select 1: Boot from PROM 0: Boot from SPI
						0	MSEN	MSYNC Enable 1: MSYNC is generated from SYNC 0: MSYNC remains low

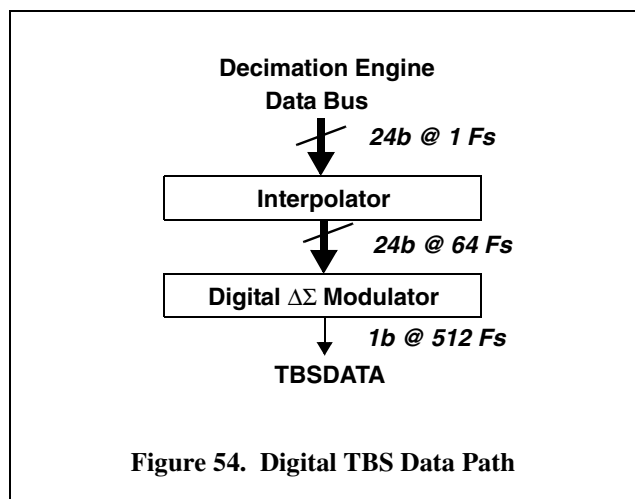
13. TEST BIT STREAM GENERATOR

The CS5376 includes a test bit stream (TBS) generator designed to drive an off-chip test DAC. The TBS output can also be internally connected to the digital filter input for loopback testing.

The test bit stream generator output is programmable and the exact configuration depends on the type of test DAC used. When used in digital loopback mode the output will be 1-bit at 512 kHz. Many test signal frequencies between 2 Hz and 125 Hz (including 31.25 Hz) can be generated using the internal data set. Test frequencies between 2 Hz and 125 Hz that cannot be generated using the internal data set can be generated by writing a custom data set.

13.1 TBS Generator Architecture

The test bit stream generator incorporates a data interpolation module and a digital Δ - Σ modulator



which receives periodic 24-bit input data from the decimation engine. The test bit stream generator outputs a data clock to the TBSCLK pin and a 1-bit Δ - Σ modulated bit stream to the TBSDATA pin.

The test bit stream generator runs from an internal clock set in the TBS_CFG register (0x2A). The output clock rate on the TBSCLK pin is 1/8 the selected internal clock rate. A delay can be introduced to the output clock to align it with any rising edge of the internal clock, a resolution of 1/8 the output clock period. Data output from the TBSDATA pin also has a programmable delay, up to 64 internal clock periods.

13.2 TBS Pin Descriptions

TBSCLK - Pin 8

Test bit stream output clock. Output rate is 1/8 the programmed internal test bit stream generator clock rate. Can be delayed up to 8 internal clock periods.

TBSDATA - Pin 9

Test bit stream output data. Can be delayed up to 64 internal clock periods.

Loopback - Internal

Internal connection providing a data path from the test bit stream generator output to the digital filter input.

TBSCLK - Test Signal Modulator Clock Output, pin 8

A dedicated clock output pin to interface with an external Δ - Σ test DAC.

TBSDATA - Test Signal Modulator Data Output, pin 9

A dedicated data output pin to interface with an external Δ - Σ test DAC.

Figure 55. Test Bit Stream Pins

13.3 TBS Data Source

When enabled, the TBS generator has input data periodically written by the decimation engine. The source of the data can either be an internal 1024 point sine-wave or a user programmed data set of up to 1024 points.

13.3.1 TBS ROM Data

The CS5376 has a 24-bit 1024 point digital sine-wave stored internally. This data can be specified to be used by the test bit stream generator during the initial boot configuration of the CS5376. Both the coprocessor and stand-alone boot modes include a command, ‘Write TBS ROM Data’, to initialize the internal data set for use by the test bit stream generator. See “Serial Peripheral Interface 1” on page 21 for information about boot modes and configuration commands.

Using the internal data set, the TBS generator can produce many test signal frequencies between 2 Hz and 125 Hz. When used in digital loopback mode, the TBS generator produces a 1-bit 512 kHz output bit stream suitable for the digital filter input. Figure 56 lists selected test signal frequencies that can be

generated for digital filter loopback using the included TBS data set. Other test frequencies and output rates can be programmed using the internal data set by varying the internal clock rate and interpolation factor.

13.3.2 TBS Uploaded Data

If a specific test frequency is required that cannot be generated using the internal test bit stream data set, a custom data set can be written into the CS5376. Both the coprocessor and stand-alone boot modes include a command, ‘Write TBS Data’, to write a custom TBS data set up to 1024 points. The number of data points written will depend on the test signal frequency to be generated, the required output clock frequency, and the available interpolation factors. Note that any custom data set must be continuous on the ends; i.e. when copied end-to-end the data set must produce a smooth curve.

13.4 TBS Configuration

After a TBS data source has been specified, the test bit stream generator is configured by writing the TBS_CFG register (0x2A).

Test Signal Frequency (TBSDATA)	Output Clock Rate (TBSClk)	Internal Clock Rate (RATE)	Interpolation Factor (INTP)
2.00 Hz	512 kHz	4.096 MHz	0xF9
5.00 Hz	512 kHz	4.096 MHz	0x63
10.00 Hz	512 kHz	4.096 MHz	0x31
25.00 Hz	512 kHz	4.096 MHz	0x13
31.25 Hz	512 kHz	4.096 MHz	0x0F
33.33 Hz	512 kHz	4.096 MHz	0x0E
50.00 Hz	512 kHz	4.096 MHz	0x09
62.50 Hz	512 kHz	4.096 MHz	0x07
100.00 Hz	512 kHz	4.096 MHz	0x04
125.00 Hz	512 kHz	4.096 MHz	0x03

Figure 56. Selected TBS Settings for 512 kHz Output

13.4.1 Interpolation Factor

The INTP bits select how many times the data interpolation module will re-use a data point to generating the output bit stream. The value is zero based and so represents one greater than the actual register value. (0x0F => interpolation by 16).

13.4.2 Clock Rate

The RATE bits set the test bit stream generator internal clock rate. The output clock and data bit stream rate from the TBSCLK and TBSDATA pins are 1/8 of this frequency.

13.4.3 Clock Delay

The CDLY bits program a delay for TBSCLK, up to 8 internal clock periods.

13.4.4 Loopback Enable

The LOOP bit enables the digital loopback connection into the digital filters.

13.4.5 Run Enable

The RUN bit enables the test bit stream generator.

13.4.6 Data Delay

The DDLY bits program a delay for TBSDATA, up to 64 internal clock periods.

13.4.7 TBS_CFG Register

Figure 57. Test Bit Stream Configuration Register TBS_CFG

(MSB) 23	22	21	20	19	18	17	16
INTP7	INTP6	INTP5	INTP4	INTP3	INTP2	INTP1	INTP0
R/W	R/W	R/W	R/W	R/W	R/W	R/W	R/W
0	0	0	0	0	0	0	0

15	14	13	12	11	10	9	8
--	RATE2	RATE1	RATE0	--	CDLY2	CDLY1	CDLY0
R/W	R/W	R/W	R/W	R/W	R/W	R/W	R/W
0	0	0	0	0	0	0	0

7	6	5	4	3	2	1	(LSB) 0
LOOP	RUN	DDLY5	DDLY4	DDLY3	DDLY2	DDLY1	DDLY0
R/W	R/W	R/W	R/W	R/W	R/W	R/W	R/W
0	0	0	0	0	0	0	0

I/O Address: 0x2A

-- Not defined; read as 0

R Readable

W Writable

R/W Readable and Writable

Bits in bottom rows are reset condition

Bit definitions:

23:16	INTP[7:0]	Interpolation factor 0xFF: 256 0xFE: 255 ... 0x01: 2 0x00: 1 (use once)	15	--	reserved	7	LOOP	Enable Test Bit Stream Digital Loopback
						6	RUN	Enable Test Bit Stream
			14:12	RATE[2:0]	TBS internal clock rate 111: 16.384 MHz 110: 8.192 MHz 101: 4.096 MHz 100: 2.048 MHz 011: 1.024 MHz 010: 512 kHz 001: 256 kHz 000: 32 kHz (default) Output bit rate is 1/8 of this frequency	5:0	DDLY[5:0]	Data output bit delay 0x3F: 63 bits 0x3E: 62 bits . . . 0x01: 1 bit 0x00: 0 bits (i.e. no delay)
			11	--	reserved			
			10:8	CDLY[2:0]	Clock output phase delay 111: 7/8 period 110: 3/4 period 101: 5/8 period 100: 1/2 period 011: 3/8 period 010: 1/4 period 001: 1/8 period 000: none			

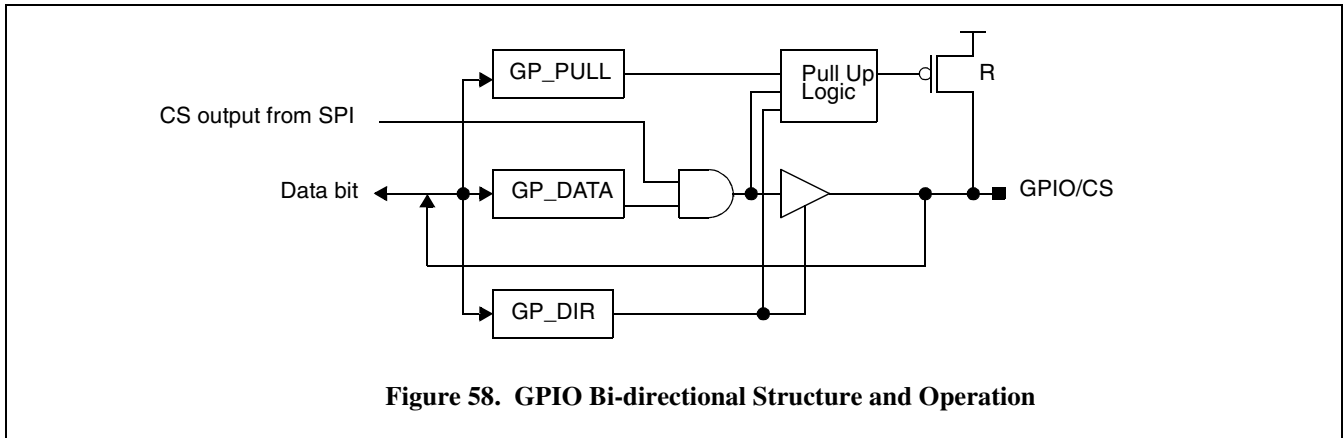


Figure 58. GPIO Bi-directional Structure and Operation

14. GENERAL PURPOSE I/O PINS

The General Purpose I/O (GPIO) block provides 12 general purpose pins to interface with external hardware. Each GPIO pin can be configured as an input or an output, with an internal pull-up resistor enabled or disabled. Several GPIO pins also double as chip selects for the SPI 1 and SPI 2 ports. Figure 58 shows the structure of a bi-directional GPIO pin with SPI chip select functionality.

Each GPIO pin is programmed by three bits in the GPCFG0 or GPCFG1 registers. The input or output data direction is selected by the GP_DIR bits, the internal pull-ups are enabled or disabled by the GP_PULL bits, and the data values are set by the GP_DATA bits. After reset, the GPIO pins are defaulted as inputs with pull-up resistors enabled.

14.1 GPIO Input Mode

When reading a value from the GP_DATA bits, the returned data reports the current state of the pins. If a pin is externally driven high it reads a logical 1. It also reads a logical 1 if the pin is not connected with its pull-up resistor enabled. If a pin is externally driven low it reads a logical 0. It also reads a logical 0 if the pin is not connected with its pull-up resistor disabled, due to leakage currents.

When a GPIO pin is used as an input, the pull-up resistor should be disabled to save power if it isn't required.

14.2 GPIO Output Mode

When a GPIO pin is used as an output to an external device, the reset configuration as an input with pull-up resistors enabled results in a logic high output to the external device until it is programmed. When a GPIO pin is programmed as an output with a data value of 0, the pin is driven low and the internal pull-up resistor is automatically disabled. When programmed as an output with a data value of 1, the pin is driven high and the pull-up resistor is inconsequential.

Any GPIO pin can be used as an open-drain output by setting the data value to 0, enabling the pull-up, and using the GP_DIR direction bits to control the pin value. This open-drain output configuration uses the internal pull-up resistor to pull the pin high when GP_DIR is set as an input, and drives the pin low when GP_DIR is set as an output.

14.2.1 GPIO Read In Output Mode

Note that when read the GP_DATA value always reports the current state of the pins, and a value written in output mode does not necessarily read back the same value. If a pin in output mode is written as a logical 1, the CS5376 will drive the pin high. If an external device then forces the pin low, the read value will reflect the pin state and return a logical 0. Similarly, if an output pin is written as a logical 0 but forced high externally, the read value will reflect the pin state and return a logical 1. In

both cases the CS5376 is in contention with the external device and will result in increased power consumption.

14.3 GPIO Chip Select

When the CS5376 is used as an SPI master GPIO8-GPIO11 (CS8-CS11) operate as SPI 1 chip selects and GPIO0-GPIO4 (CS0-CS4) operate as SPI 2 chip selects. The chip select signal from the SPI 1 and SPI 2 blocks are logically AND-ed with the corresponding GPIO data bit. The GPIO pin should be set as output mode and a logical 1 to produce the chip select falling edge required for most serial peripherals. See “Serial Peripheral Interface 1” on page 21 and “Serial Peripheral Interface 2” on page 40 for details on the SPI ports.

14.4 GPIO Pin Descriptions

GPIO0 - GPIO4 (CS0 - CS4) - Pins 32 - 36

The low group of GPIO pins, GPIO0-GPIO4, can be used as standard GPIO pins or as chip selects for the SPI 2 port. Each pin can be individually set for either mode.

When used as standard GPIO pins, the settings are programmed in the GPCFG0 register. The GP_DIR bits (bits 16-20) set the input/output mode, the GP_PULL bits (bits 8-12) enable/disable the internal pull-up resistor, and the GP_DATA bits (bits 0-4) set the data value.

When used as SPI 2 chip selects, the GPIO pin should be programmed in GPCFG0 as output mode

and a logical 1 so the serial device connected to it will be de-selected by default. When an SPI 2 transaction to the device begins, the GPIO pin automatically goes low to act as a chip select.

GPIO5 - GPIO7 - Pins 37, 41, 42

The middle group of GPIO pins, GPIO5-GPIO7, can only be used as standard GPIO pins, and are programmed in the GPCFG0 register. In the GPCFG0 register, GP_DIR (bits 20-23) sets the input/output mode, GP_PULL (bits 13-15) enables/disables the internal pull-up resistor, and GP_DATA (bits 5-7) sets the data value.

GPIO8 - GPIO11 (CS8-CS11) - Pins 43 - 46

The high group of GPIO pins, GPIO8-GPIO11, can be used as standard GPIO pins or as chip selects for the SPI 1 port. Each pin can be individually set for either mode.

When used as standard GPIO pins, the settings are programmed in the GPCFG1 register. The GP_DIR bits (bits 16-19) set the input/output mode, the GP_PULL bits (bits 8-11) enable/disable the internal pull-up resistor, and the GP_DATA bits (bits 0-3) set the data value.

When used as SPI 1 chip selects, the GPIO pin should be programmed in GPCFG1 as output mode and a logical 1 so the serial device connected to it will be de-selected by default. When an SPI 1 transaction to the device begins, the GPIO pin automatically goes low to act as a chip select.

GPIO[11:0] - General Purpose Input/Output, pins 32 to 37, 41 to 46

General purpose pins for controlling local peripherals. Also used as chip selects for the SPI ports.

Figure 59. General Purpose I/O Pins

14.4.1 GPCFG0 Register
Figure 60. GPIO Configuration Register GPCFG0

(MSB) 23	22	21	20	19	18	17	16
GP_DIR7	GP_DIR6	GP_DIR5	GP_DIR4	GP_DIR3	GP_DIR2	GP_DIR1	GP_DIR0
R/W	R/W	R/W	R/W	R/W	R/W	R/W	R/W
0	0	0	0	0	0	0	0

15	14	13	12	11	10	9	8
GP_PULL7	GP_PULL6	GP_PULL5	GP_PULL4	GP_PULL3	GP_PULL2	GP_PULL1	GP_PULL0
R/W	R/W	R/W	R/W	R/W	R/W	R/W	R/W
1	1	1	1	1	1	1	1

7	6	5	4	3	2	1	(LSB) 0
GP_DATA7	GP_DATA6	GP_DATA5	GP_DATA4	GP_DATA3	GP_DATA2	GP_DATA1	GP_DATA0
R/W	R/W	R/W	R/W	R/W	R/W	R/W	R/W
1	1	1	1	1	1	1	1

I/O Address: 0x0E	
--	Not defined; read as 0
R	Readable
W	Writable
R/W	Readable and Writable
Bits in bottom rows are reset condition	

Bit definitions:

23:16	GP_DIR	Pin direction	15:8	GP_PULL	Pullup resistor	7:0	GP_DATA	Data Value
[7:0]		1: output 0: input	[7:0]		1: enabled 0: disabled	[7:0]		[7:0]

14.4.2 GPCFG1 Register

Figure 61. GPIO Configuration Register GPCFG1

(MSB) 23	22	21	20	19	18	17	16
--	--	--	--	GP_DIR11	GP_DIR10	GP_DIR9	GP_DIR8
R/W	R/W	R/W	R/W	R/W	R/W	R/W	R/W
0	0	0	0	0	0	0	0
15	14	13	12	11	10	9	8
--	--	--	--	GP_PULL11	GP_PULL10	GP_PULL9	GP_PULL8
R/W	R/W	R/W	R/W	R/W	R/W	R/W	R/W
0	0	0	0	1	1	1	1
7	6	5	4	3	2	1	(LSB) 0
--	--	--	--	GP_DATA11	GP_DATA10	GP_DATA9	GP_DATA8
R/W	R/W	R/W	R/W	R/W	R/W	R/W	R/W
0	0	0	0	1	1	1	1

I/O Address: 0x0F

-- Not defined;
read as 0

R Readable
W Writable
R/W Readable and
Writable

Bits in bottom rows
are reset condition

Bit definitions:

23:20 -- reserved	15:12 -- reserved	7:4 -- reserved
19:16 GP_DIR Pin direction [11:8] 1: output 0: input	11:8 GP_PULL Pullup resistor [11:8] 1: enabled 0: disabled	3:0 GP_DATA Data Value [11:8]

15. JTAG TEST PORT (IEEE 1149.1)

The CS5376 includes a JTAG test port for boundary scan testing. Boundary scan testing checks the interconnections of a design by writing and reading data directly from the pins using an on-chip JTAG controller. For a detailed description of the operation of the JTAG port, refer to the IEEE 1149.1 specification.

15.1 JTAG Pin Definitions

TRST - Pin 1

Resets the test access port controller and all boundary scan cells in the scan chain. This pin includes a weak pullup resistor to provide a power on reset if not driven by a signal source.

TMS - Pin 2

The test mode of the JTAG controller is selected by a serial write to this pin using TCK.

TCK - Pin 3

Clock input for the test access port controller.

TDI - Pin 4

Serial data input to the boundary scan chain or test access port controller.

TDO - Pin 5

Serial data output from the boundary scan chain or test access port controller.

15.2 JTAG Architecture

The JTAG test circuitry consists of a test access port (TAP) controller and boundary scan cells within each pin. The boundary scan cells are linked together to create a scan chain around the CS5376.

15.2.1 TAP Controller

The test access port (TAP) controller manages serial scanning of instruction and data information through the CS5376. The TAP controller uses the 16 JTAG state assignments from the IEEE 1149.1 specification which are sequenced based on the state of the TMS pin on the rising edge of TCK.

The TAP controller generates signals for capture, shift, and update operations on the internal instruc-

$\overline{\text{TRST}}$ - Test Reset, pin 1

JTAG reset input pin, resets the test access port controller (TAP).

TMS - Test Mode Select, pin 2

JTAG mode select input pin, control signal to the test access port controller (TAP).

TCK - Test Clock, pin 3

JTAG clock input pin, clocks the test access port controller (TAP).

TDI - Test Data Input, pin 4

JTAG data input pin, the path by which serial data enters the device.

TDO - Test Data Output, pin 5

JTAG data output pin, the path by which serial data exits the device.

Figure 62. JTAG Pins

tion and data registers. In the capture operation, data is loaded into the internal register. In the shift operation, the captured data is shifted out while new data is shifted in. In the update operation, either the instruction register is loaded for instruction decode, or the boundary-scan registers are updated to control the outputs.

15.2.2 Boundary Scan Cells

Designed into each pin of the CS5376 is a boundary scan cell. In normal operation with the JTAG disabled, the boundary scan cells are transparent and do not affect operation of the CS5376. When using the JTAG port, the boundary scan cells give the ability to write and read each pin independent of the CS5376 operation. The boundary scan cells are serially linked to create a scan chain around the CS5376.

16. WATCHDOG TIMER

A watchdog timer built into the CS5376 can provide additional system robustness by monitoring the decimation engine to ensure no unrecoverable errors occur. If a programmed time period elapses without the decimation engine automatically restarting the watchdog countdown timer, the CS5376 performs a hardware reset. A hardware reset re-boots the system from EEPROM or re-enables communication with the microcontroller, depending on the boot mode selection.

16.1 Watchdog Timer Initialization

The watchdog timer is initialized by writing two register values. First, the countdown timer clock rate is selected in the CONFIG register (0x00), between 8.192 MHz and 32 kHz. Next, a countdown value is written to the WD_CFG register (0x2B) to select the number of clock cycles that must pass before a hardware reset occurs. After writing the countdown value, the watchdog timer automatically starts at the countdown value and rate selected. A hardware reset is required to exit watchdog mode once it has been enabled.

As an example, a 1kHz output word rate (1 ms output interval) should allow several milliseconds to

pass before a hardware reset occurs. If the watchdog timer clock is set to 1.024 MHz in the CONFIG register and a countdown value of 0x004000 is written to the WD_CFG register, a time interval of 16 ms must pass to cause a hardware reset.

16.2 Watchdog Timer Restart

When enabled, the decimation engine restarts the countdown timer after every filtering algorithm calculation. Some SPI 1 burst write commands, (Write FIR Coefficients, Write IIR Coefficients, and Write TBS Data), do not restart the countdown timer until after the command has completed. If the watchdog timer is enabled and an SPI 1 burst write command does not complete within the countdown interval, the CS5376 will reset. This recovers the CS5376 from a state where it expects burst data that is never written by the microcontroller.

The rate at which the decimation engine automatically restarts the countdown timer depends on the CS5376 configuration. A faster decimation engine clock rate and a shorter number of filter coefficients will restart the countdown timer more quickly. In general, the watchdog timer should be set to expire if several output data periods pass without being restarted by the decimation engine.

Output Word Rate	Output Interval	Reset Delay	Watchdog Clock	Watchdog Counter
4 kHz	0.25 ms	4 ms	1.024 MHz	0x001000
2 kHz	0.5 ms	8 ms	1.024 MHz	0x002000
1 kHz	1.0 ms	16 ms	1.024 MHz	0x004000
500 Hz	2.0 ms	32 ms	1.024 MHz	0x008000
333.3 Hz	3.0 ms	48 ms	1.024 MHz	0x00C000
250 Hz	4.0 ms	64 ms	512 kHz	0x008000
125 Hz	8.0 ms	128 ms	256 kHz	0x008000
62.5 Hz	16.0 ms	256 ms	256 kHz	0x00FFFF

Figure 63. Watchdog Timer Recommended Settings

16.2.1 CONFIG Register
Figure 64. Decimation Engine Configuration Register CONFIG

(MSB)23	22	21	20	19	18	17	16
--	--	--	--	--	DFS2	DFS1	DFS0
R/W	R/W	R/W	R/W	R/W	R/W	R/W	R/W
0	0	0	0	0	1	0	1

15	14	13	12	11	10	9	8
--	WDFS2	WDFS1	WDFS0	--	MCKFS2	MCKFS1	MCKFS0
R/W	R/W	R/W	R/W	R/W	R/W	R/W	R/W
0	0	0	0	0	1	0	0

7	6	5	4	3	2	1	(LSB)0
--	--	MCKEN2	MCKEN	MDIFS	SBY	BOOT	MSEN
R/W	R/W	R/W	R/W	R/W	R/W	R	R/W
0	0	0	0	0	0	0	1

I/O Address: 0x00

-- Not defined;
read as 0
R Readable
W Writable
R/W Readable and
Writable

Bits in bottom rows
are reset condition

Bit definitions:

23:19	--	reserved	15	--	reserved	7:6	--	reserved
18:16	DFS [2:0]	Decimation Engine Frequency Select 111: reserved 110: 8.192 MHz 101: 4.096 MHz (default) 100: 2.048 MHz 011: 1.024 MHz 010: 512 kHz 001: 256 kHz 000: 32 kHz	14:12	WDFS [2:0]	Watchdog Frequency Select 111: reserved 110: 8.192 MHz 101: 4.096 MHz 100: 2.048 MHz 011: 1.024 MHz 010: 512 kHz 001: 256 kHz 000: 32 kHz (default)	5	MCKEN2	MCLK/2 Output Enable
						4	MCKEN	MCLK Output Enable
						3	MDIFS	MDI Frequency Select: 1: 256 kHz 0: 512 kHz (default)
						2	SBY	Standby 1: DE in low power, low frequency mode 0: DE normal operation
			11	--	reserved			
			10:8	MCKFS [2:0]	MCLK Frequency Select 111: reserved 110: reserved 101: 4.096 MHz 100: 2.048 MHz (default) 011: 1.024 MHz 010: 512 kHz 001: reserved 000: reserved	1	BOOT	Boot Source Select 1: Boot from PROM 0: Boot from SPI
						0	MSEN	MSYNC Enable 1: MSYNC is generated from SYNC 0: MSYNC remains low

16.2.2 WD_CFG Register

Figure 65. Watchdog Configuration Register WD_CFG

(MSB) 23	22	21	20	19	18	17	16
--	--	--	--	--	--	--	--
R/W	R/W	R/W	R/W	R/W	R/W	R/W	R/W
0	0	0	0	0	0	0	0

15	14	13	12	11	10	9	8
WCNT15	WCNT14	WCNT13	WCNT12	WCNT11	WCNT10	WCNT9	WCNT8
R/W	R/W	R/W	R/W	R/W	R/W	R/W	R/W
0	0	0	0	0	0	0	0

7	6	5	4	3	2	1	(LSB) 0
WCNT7	WCNT6	WCNT5	WCNT4	WCNT3	WCNT2	WCNT1	WCNT0
R/W	R/W	R/W	R/W	R/W	R/W	R/W	R/W
0	0	0	0	0	0	0	0

I/O Address: 0x2B

-- Not defined;
read as 0

R Readable
W Writable
R/W Readable and
Writable

Bits in bottom rows
are reset condition

Bit definitions:

23:16	-- reserved	15:8	WCNT[15:8] Watchdog Counter Upper Byte	15:8	WCNT[7:0] Watchdog Counter Lower Byte
-------	-------------	------	--	------	---------------------------------------

17. REGISTER SUMMARY

17.1 SPI 1 Registers

The CS5376 SPI 1 registers interface the serial port to the decimation engine.

Name	Addr.	Type	# Bits	Description
SPI 1CTRLH	00	R/W	8	SPI 1 Control Register, High Byte
SPI 1CTRLM	01	R/W	8	SPI 1 Control Register, Middle Byte
SPI 1CTRL L	02	R/W	8	SPI 1 Control Register, Low Byte
SPI 1CMDH	03	R/W	8	DE <-> SPI 1 Command, High Byte
SPI 1CMDM	04	R/W	8	DE <-> SPI 1 Command, Middle Byte
SPI 1CMDL	05	R/W	8	DE <-> SPI 1 Command, Low Byte
SPI 1DAT1H	06	R/W	8	DE <-> SPI 1 Data 1, High Byte
SPI 1DAT1M	07	R/W	8	DE <-> SPI 1 Data 1, Middle Byte
SPI 1DAT1L	08	R/W	8	DE <-> SPI 1 Data 1, Low Byte
SPI 1DAT2H	09	R/W	8	DE <-> SPI 1 Data 2, High Byte
SPI 1DAT2M	0A	R/W	8	DE <-> SPI 1 Data 2, Middle Byte
SPI 1DAT2L	0B	R/W	8	DE <-> SPI 1 Data 2, Low Byte

17.1.1 SPICTRL - 0x00, 0x01, 0x02
Figure 66. SPI Control Register SPI1CTRL

(MSB) 23	22	21	20	19	18	17	16
--	--	SCK1PO	SCK1PH	WOM	SCK1FS2	SCK1FS1	SCK1FS0
R/W1	R/W1	R/W	R/W	R/W	R/W	R/W	R/W
0	0	0	0	1	0	1	1

15	14	13	12	11	10	9	8
SMODF	PROM	DEOP	EMOP	SWEF	SINT	IEN	E2DREQ
R	R/W	R	R	R	R/W	R/W	R/W
0	0	0	0	0	0	0	0

7	6	5	4	3	2	1	(LSB) 0
DNUM2	DNUM1	DNUM0	CS11	CS10	CS9	CS8	D2SREQ
R/W	R/W	R/W	R/W	R/W	R/W	R/W	R/W
0	0	1	0	0	0	0	0

**SPI 1 Address: 0x00
0x01
0x02**

-- Not defined;
read as 0
R Readable
W Writable
R/W Readable and
Writable

Bits in bottom rows
are reset condition

Bit definitions:

23:22	--	reserved	15	SMODF	SPI 1 mode fault error	7:5	DNUM	DE number of bytes in transaction (1-8 or 2-9) [2:0]
21	SCK1PO	SCK1 polarity 1: On falling edge 0: On rising edge	14	PROM	PROM mode 1: 2-byte address 0: 1-byte address	4	CS11	SPI 1 chip select 11
20	SCK1PH	SCK1 phase 1: Data out at first SCK1 edge 0: Data out before first SCK1 edge	13	DEOP	DE to SPI 1 operation in progress	3	CS10	SPI 1 chip select 10
19	WOM	Wired-OR logic 1: Enabled (open drain) 0: Disabled (push-pull)	12	EMOP	External master to SPI 1 operation in progress	2	CS9	SPI 1 chip select 9
18:16	SCK1FS [2:0]	SCK1 output freq. 111: reserved 110: reserved 101: 4.096 MHz 100: 2.048 MHz 011: 1.024 MHz (default) 010: 512 kHz 001: 256 kHz 000: 32 kHz	11	SWEF	SPI 1 write collision error flag	1	CS8	SPI 1 chip select 8
			10	SINT	Serial Interrupt	0	D2SREQ	DE to SPI request 1: Request operation 0: Operation done (cleared by SPI)
			9	IEN	SPI 1 Interrupt enable			
			8	E2DREQ	External master to DE request			

17.1.2 SPI1CMD - 0x03, 0x04, 0x05
Figure 67. SPI 1 Command Register SPI1CMD

(MSB) 23	22	21	20	19	18	17	16
S1CMD23	S1CMD22	S1CMD21	S1CMD20	S1CMD19	S1CMD18	S1CMD17	S1CMD16
R/W	R/W	R/W	R/W	R/W	R/W	R/W	R/W
0	0	0	0	0	0	0	0

15	14	13	12	11	10	9	8
S1CMD15	S1CMD14	S1CMD13	S1CMD12	S1CMD11	S1CMD10	S1CMD9	S1CMD8
R/W	R/W	R/W	R/W	R/W	R/W	R/W	R/W
0	0	0	0	0	0	0	0

7	6	5	4	3	2	1	(LSB) 0
S1CMD7	S1CMD6	S1CMD5	S1CMD4	S1CMD3	S1CMD2	S1CMD1	S1CMD0
R/W	R/W	R/W	R/W	R/W	R/W	R/W	R/W
0	0	0	0	0	0	0	0

**SPI 1 Address: 0x03
0x04
0x05**

-- Not defined;
read as 0
R Readable
W Writable
R/W Readable and
Writable

Bits in bottom rows
are reset condition

Bit definitions:

23:16 S1CMD[23:16] SPI 1 Command High Byte	15:8 S1CMD[15:8] SPI 1 Command Middle Byte	15:8 S1CMD[7:0] SPI 1 Command Low Byte
--	--	--

17.1.3 SPI1DAT1 - 0x06, 0x07, 0x08
Figure 68. SPI 1 Data Register SPI1DAT1

(MSB) 23	22	21	20	19	18	17	16
S1DAT23	S1DAT22	S1DAT21	S1DAT20	S1DAT19	S1DAT18	S1DAT17	S1DAT16
R/W	R/W	R/W	R/W	R/W	R/W	R/W	R/W
0	0	0	0	0	0	0	0

15	14	13	12	11	10	9	8
S1DAT15	S1DAT14	S1DAT13	S1DAT12	S1DAT11	S1DAT10	S1DAT9	S1DAT8
R/W	R/W	R/W	R/W	R/W	R/W	R/W	R/W
0	0	0	0	0	0	0	0

7	6	5	4	3	2	1	(LSB) 0
S1DAT7	S1DAT6	S1DAT5	S1DAT4	S1DAT3	S1DAT2	S1DAT1	S1DAT0
R/W	R/W	R/W	R/W	R/W	R/W	R/W	R/W
0	0	0	0	0	0	0	0

**SPI 1 Address: 0x06
0x07
0x08**

-- Not defined;
read as 0
R Readable
W Writable
R/W Readable and
Writable

Bits in bottom rows
are reset condition

Bit definitions:

23:16 S1DAT[23:16] SPI 1 Data 1 High Byte	15:8 S1DAT[15:8] SPI 1 Data 1 Middle Byte	15:8 S1DAT[7:0] SPI 1 Data 1 Low Byte
---	---	---------------------------------------

17.1.4 SPI1DAT2 - 0x09, 0x0A, 0x0B
Figure 69. SPI 1 Data Register SPI1DAT2

(MSB) 23	22	21	20	19	18	17	16
S1DAT23	S1DAT22	S1DAT21	S1DAT20	S1DAT19	S1DAT18	S1DAT17	S1DAT16
R/W	R/W	R/W	R/W	R/W	R/W	R/W	R/W
0	0	0	0	0	0	0	0

15	14	13	12	11	10	9	8
S1DAT15	S1DAT14	S1DAT13	S1DAT12	S1DAT11	S1DAT10	S1DAT9	S1DAT8
R/W	R/W	R/W	R/W	R/W	R/W	R/W	R/W
0	0	0	0	0	0	0	0

7	6	5	4	3	2	1	(LSB) 0
S1DAT7	S1DAT6	S1DAT5	S1DAT4	S1DAT3	S1DAT2	S1DAT1	S1DAT0
R/W	R/W	R/W	R/W	R/W	R/W	R/W	R/W
0	0	0	0	0	0	0	0

**SPI 1 Address: 0x09
0x0A
0x0B**

-- Not defined;
read as 0
R Readable
W Writable
R/W Readable and
Writable

Bits in bottom rows
are reset condition

Bit definitions:

23:16 S1DAT[23:16] SPI 1 Data 2 High Byte	15:8 S1DAT[15:8] SPI 1 Data 2 Middle Byte	15:8 S1DAT[7:0] SPI 1 Data 2 Low Byte
---	---	---------------------------------------

17.2 Decimation Engine Registers

The CS5376 decimation engine registers control hardware and filtering functions.

Name	Addr.	Type	# Bits	Description
CONFIG	00	R/W	24	Decimation Engine Configuration
RESERVED	01-0D	R/W	24	Reserved
GPCFG0	0E	R/W	24	GPIO[7:0] Direction, Pullup Enable, and Data
GPCFG1	0F	R/W	24	GPIO[11:8] Direction, Pullup Enable, and Data
SPI2CTRL	10	R/W	24	SPI2 Configuration
SPI2CMD	11	R/W	16	SPI2 Command
SPI2DAT	12	R/W	24	SPI2 Data
RESERVED	13-1F	R/W	24	Reserved
FILT_CFG	20	R/W	24	Filter Configuration
GAIN1	21	R/W	24	Gain Correction Channel 1
GAIN2	22	R/W	24	Gain Correction Channel 2
GAIN3	23	R/W	24	Gain Correction Channel 3
GAIN4	24	R/W	24	Gain Correction Channel 4
OFFSET1	25	R/W	24	Offset Correction Channel 1
OFFSET2	26	R/W	24	Offset Correction Channel 2
OFFSET3	27	R/W	24	Offset Correction Channel 3
OFFSET4	28	R/W	24	Offset Correction Channel 4
TIMEBRK	29	R/W	24	Time Break Counter Configuration
TBS_CFG	2A	R/W	24	Test Bit Stream Configuration
WD_CFG	2B	R/W	24	Watchdog Counter Configuration
SYSTEM1	2C	R/W	24	User Defined System Register 1
SYSTEM2	2D	R/W	24	User Defined System Register 2
VERSION	2E	R/W	24	Hardware Version ID
SELFTEST	2F	R/W	24	Self-Test Result Code

17.2.1 CONFIG - 0x00
Figure 70. Decimation Engine Configuration Register CONFIG

(MSB)23	22	21	20	19	18	17	16
--	--	--	--	--	DFS2	DFS1	DFS0
R/W	R/W	R/W	R/W	R/W	R/W	R/W	R/W
0	0	0	0	0	1	0	1

15	14	13	12	11	10	9	8
--	WDFS2	WDFS1	WDFS0	--	MCKFS2	MCKFS1	MCKFS0
R/W	R/W	R/W	R/W	R/W	R/W	R/W	R/W
0	0	0	0	0	1	0	0

7	6	5	4	3	2	1	(LSB)0
--	--	MCKEN2	MCKEN	MDIFS	SBY	BOOT	MSEN
R/W	R/W	R/W	R/W	R/W	R/W	R	R/W
0	0	0	0	0	0	0	1

I/O Address: 0x00

-- Not defined;
read as 0
R Readable
W Writable
R/W Readable and
Writable

Bits in bottom rows
are reset condition

Bit definitions:

23:19	--	reserved	15	--	reserved	7:6	--	reserved
18:16	DFS [2:0]	Decimation Engine Frequency Select 111: reserved 110: 8.192 MHz 101: 4.096 MHz (default) 100: 2.048 MHz 011: 1.024 MHz 010: 512 kHz 001: 256 kHz 000: 32 kHz	14:12	WDFS [2:0]	Watchdog Frequency Select 111: reserved 110: 8.192 MHz 101: 4.096 MHz 100: 2.048 MHz 011: 1.024 MHz 010: 512 kHz 001: 256 kHz 000: 32 kHz (default)	5	MCKEN2	MCLK/2 Output Enable
						4	MCKEN	MCLK Output Enable
						3	MDIFS	MDI Frequency Select: 1: 256 kHz 0: 512 kHz (default)
						2	SBY	Standby 1: DE in low power, low frequency mode 0: DE normal operation
			11	--	reserved			
			10:8	MCKFS [2:0]	MCLK Frequency Select 111: reserved 110: reserved 101: 4.096 MHz 100: 2.048 MHz (default) 011: 1.024 MHz 010: 512 kHz 001: reserved 000: reserved	1	BOOT	Boot Source Select 1: Boot from PROM 0: Boot from SPI
						0	MSEN	MSYNC Enable 1: MSYNC is generated from SYNC 0: MSYNC remains low

17.2.2 GPCFG0 - 0x0E

Figure 71. GPIO Configuration Register GPCFG0

(MSB) 23	22	21	20	19	18	17	16
GP_DIR7	GP_DIR6	GP_DIR5	GP_DIR4	GP_DIR3	GP_DIR2	GP_DIR1	GP_DIR0
R/W	R/W	R/W	R/W	R/W	R/W	R/W	R/W
0	0	0	0	0	0	0	0

15	14	13	12	11	10	9	8
GP_PULL7	GP_PULL6	GP_PULL5	GP_PULL4	GP_PULL3	GP_PULL2	GP_PULL1	GP_PULL0
R/W	R/W	R/W	R/W	R/W	R/W	R/W	R/W
1	1	1	1	1	1	1	1

7	6	5	4	3	2	1	(LSB) 0
GP_DATA7	GP_DATA6	GP_DATA5	GP_DATA4	GP_DATA3	GP_DATA2	GP_DATA1	GP_DATA0
R/W	R/W	R/W	R/W	R/W	R/W	R/W	R/W
1	1	1	1	1	1	1	1

I/O Address: 0x0E

-- Not defined;
read as 0

R Readable
W Writable
R/W Readable and
Writable

Bits in bottom rows
are reset condition

Bit definitions:

23:16	GP_DIR	Pin direction	15:8	GP_PULL	Pullup resistor	7:0	GP_DATA	Data Value
[7:0]		1: output 0: input	[7:0]		1: enabled 0: disabled	[7:0]		[7:0]

17.2.3 GPCFG1 - 0x0F

Figure 72. GPIO Configuration Register GPCFG1

(MSB) 23	22	21	20	19	18	17	16
--	--	--	--	GP_DIR11	GP_DIR10	GP_DIR9	GP_DIR8
R/W	R/W	R/W	R/W	R/W	R/W	R/W	R/W
0	0	0	0	0	0	0	0
15	14	13	12	11	10	9	8
--	--	--	--	GP_PULL11	GP_PULL10	GP_PULL9	GP_PULL8
R/W	R/W	R/W	R/W	R/W	R/W	R/W	R/W
0	0	0	0	1	1	1	1
7	6	5	4	3	2	1	(LSB) 0
--	--	--	--	GP_DATA11	GP_DATA10	GP_DATA9	GP_DATA8
R/W	R/W	R/W	R/W	R/W	R/W	R/W	R/W
0	0	0	0	1	1	1	1

I/O Address: 0x0F

-- Not defined;
read as 0

R Readable
W Writable
R/W Readable and
Writable

Bits in bottom rows
are reset condition

Bit definitions:

23:20 -- reserved	15:12 -- reserved	7:4 -- reserved
19:16 GP_DIR Pin direction [11:8] 1: output 0: input	11:8 GP_PULL Pullup resistor [11:8] 1: enabled 0: disabled	3:0 GP_DATA Data Value [11:8]

17.2.4 SPI2CTRL - 0x10
Figure 73. SPI 2 Configuration Register SPI2CTRL

(MSB) 23	22	21	20	19	18	17	16
WOM	SCKFS2	SCKFS1	SCKFS0	SPI2EN4	SPI2EN3	SPI2EN2	SPI2EN1
R/W	R/W	R/W	R/W	R/W	R/W	R/W	R/W
0	0	1	1	0	0	0	0

15	14	13	12	11	10	9	8
RCH1	RCH0	D2SOP	SCKPH	SWEF	SCKPO	TM	D2SREQ
R/W	R/W	R	R/W	R/W	R/W	R/W	R/W
0	0	0	0	0	0	0	0

7	6	5	4	3	2	1	(LSB) 0
DNUM2	DNUM1	DNUM0	CS4	CS3	CS2	CS1	CS0
R/W	R/W	R/W	R/W	R/W	R/W	R/W	R/W
1	1	1	0	0	0	0	0

I/O Address: 0x10

-- Not defined;
read as 0
R Readable
W Writable
R/W Readable
and Writable

Bits in bottom rows
are reset condition.

Bit definitions:

23	WOM	Wired-OR Mode 1: Enabled (open drain) 0: Disabled (push-pull)	15:14	RCH [1:0]	SPI2 Read Channel 11: Channel 4 10: Channel 3 01: Channel 2 00: Channel 1	7:5	DNUM [2:0]	Decimation Engine Number of bytes in transaction (1-8)
22:20	SCKFS [2:0]	SCK2 Frequency 111: reserved 110: reserved 101: 4.096 MHz 100: 2.048 MHz 011: 1.024 MHz 010: 512 kHz 001: 128 kHz 000: 32 kHz	13	D2SOP	DE to SPI2 Operation in Progress	4	CS4	Chip Select 4 Enable
			12	SCKPH	SCK2 Phase 1: Data out at first SCK2 edge 0: Data out before first SCK2 edge	3	CS3	Chip Select 3 Enable
			11	SWEF	SPI2 Write Collision Error Flag	2	CS2	Chip Select 2 Enable
19:16	SPI2EN [4:1]	SPI2 Channel Enable 1: Enabled 0: Disabled (default)	10	SCKPO	SCK2 Polarity 1: On falling edge 0: On rising edge	1	CS1	Chip Select 1 Enable
			9	TM	SPI2 Timeout 1: SPI2 timed out 0: not timed out	0	CS0	Chip Select 0 Enable
			8	D2SREQ	DE to SPI2 Request 1: Request operation 0: Operation done (cleared by SPI2)			

17.2.5 SPI2CMD - 0x11

Figure 74. SPI 2 Command Register SPI2CMD

(MSB) 23	22	21	20	19	18	17	16
--	--	--	--	--	--	--	--
R/W	R/W	R/W	R/W	R/W	R/W	R/W	R/W
0	0	0	0	0	0	0	0

15	14	13	12	11	10	9	8
SCMD15	SCMD14	SCMD13	SCMD12	SCMD11	SCMD10	SCMD9	SCMD8
R/W	R/W	R/W	R/W	R/W	R/W	R/W	R/W
0	0	0	0	0	0	0	0

7	6	5	4	3	2	1	(LSB) 0
SCMD7	SCMD6	SCMD5	SCMD4	SCMD3	SCMD2	SCMD1	SCMD0
R/W	R/W	R/W	R/W	R/W	R/W	R/W	R/W
0	0	0	0	0	0	0	0

I/O Address: 0x11

-- Not defined;
read as 0

R Readable

W Writable

R/W Readable and
Writable

Bits in bottom rows
are reset condition

Bit definitions:

23:16	-- reserved	15:8	SCMD[15:8] SPI2 Upper Command Byte	15:8	SCMD[7:0] SPI2 Lower Command Byte
-------	-------------	------	------------------------------------	------	-----------------------------------

17.2.6 SPI2DAT - 0x12
Figure 75. SPI 2 Data Register SPI2DAT

(MSB) 23	22	21	20	19	18	17	16
SDAT23	SDAT22	SDAT21	SDAT20	SDAT19	SDAT18	SDAT17	SDAT16
R/W	R/W	R/W	R/W	R/W	R/W	R/W	R/W
0	0	0	0	0	0	0	0

15	14	13	12	11	10	9	8
SDAT15	SDAT14	SDAT13	SDAT12	SDAT11	SDAT10	SDAT9	SDAT8
R/W	R/W	R/W	R/W	R/W	R/W	R/W	R/W
0	0	0	0	0	0	0	0

7	6	5	4	3	2	1	(LSB) 0
SDAT7	SDAT6	SDAT5	SDAT4	SDAT3	SDAT2	SDAT1	SDAT0
R/W	R/W	R/W	R/W	R/W	R/W	R/W	R/W
0	0	0	0	0	0	0	0

I/O Address: 0x12

-- Not defined;
read as 0
R Readable
W Writable
R/W Readable and
Writable

Bits in bottom rows
are reset condition

Bit definitions:

23:16	SDAT[23:16]	SPI2 Upper Data Byte	15:8	SDAT[15:8]	SPI2 Middle Data Byte	7:0	SDAT[7:0]	SPI2 Lower Data Byte
-------	-------------	-------------------------	------	------------	--------------------------	-----	-----------	-------------------------

17.2.7 FILT_CFG - 0x20
Figure 76. Filter Configuration Register FILT_CFG

(MSB) 23	22	21	20	19	18	17	16
--	--	--	EXP4	EXP3	EXP2	EXP1	EXP0
R/W	R/W	R/W	R/W	R/W	R/W	R/W	R/W
0	0	0	0	0	0	0	0

15	14	13	12	11	10	9	8
--	ORCAL	USEOR	USEGR	--	FSEL2	FSEL1	FSEL0
R/W	R/W	R/W	R/W	R/W	R/W	R/W	R/W
0	0	0	0	0	0	0	0

7	6	5	4	3	2	1	(LSB) 0
--	DEC2	DEC1	DEC0	--	--	CH1	CH0
R/W	R/W	R/W	R/W	R/W	R/W	R/W	R/W
0	0	0	0	0	0	0	0

I/O Address: 0x20

-- Not defined;
read as 0
R Readable
W Writable
R/W Readable and
Writable

Bits in bottom rows
are reset condition

Bit definitions:

23:21	--	reserved	15	--	reserved	7	--	reserved
21:16	EXP[4:0]	DC Offset Calibration Routine Exponent (Determines sensitivity of DC offset calibration routine)	14	ORCAL	Offset Register Calibration Routine Enable 1: enabled 0: disabled	6:4	DEC[2:0]	Decimation Rate, Output Word Rate 111: 4 kHz 110: 2 kHz 101: 1 kHz 100: 500 Hz 011: 333.3 Hz 010: 250 Hz 001: 125 Hz 000: 62.5 Hz
			13	USEOR	Use Offset Register Correction 1: enabled 0: disabled	3:2	--	reserved
			12	USEGR [11:8]	Use Gain Register Correction 1: enabled 0: disabled	1:0	CH[1:0]	Channel Enable 11: 3 Channel (1, 2, 3) 10: 2 Channel (1, 2) 01: 1 Channel (1 only) 00: 4 Channel (1, 2, 3, 4)
			11	--	reserved			
			10:8	FSEL[2:0]	Output Filter Select 111: reserved 110: reserved 101: IIR 3rd Order 100: IIR 2nd Order 011: IIR 1st Order 010: FIR2 Output 001: FIR1 Output 000: Sinc Output			

17.2.8 GAIN1 - GAIN4 - 0x21 - 0x24
Figure 77. Gain Correction Register GAIN1

(MSB) 23	22	21	20	19	18	17	16
GAIN23	GAIN22	GAIN21	GAIN20	GAIN19	GAIN18	GAIN17	GAIN16
R/W	R/W	R/W	R/W	R/W	R/W	R/W	R/W
0	0	0	0	0	0	0	0
15	14	13	12	11	10	9	8
GAIN15	GAIN14	GAIN13	GAIN12	GAIN11	GAIN10	GAIN9	GAIN8
R/W	R/W	R/W	R/W	R/W	R/W	R/W	R/W
0	0	0	0	0	0	0	0
7	6	5	4	3	2	1	(LSB) 0
GAIN7	GAIN6	GAIN5	GAIN4	GAIN3	GAIN2	GAIN1	GAIN0
R/W	R/W	R/W	R/W	R/W	R/W	R/W	R/W
0	0	0	0	0	0	0	0

I/O Address: 0x21

-- Not defined;
read as 0
R Readable
W Writable
R/W Readable and
Writable

Bits in bottom rows
are reset condition

Bit definitions:

23:16	GAIN[23:16]	Gain Correction Upper Byte	15:8	GAIN[15:8]	Gain Correction Middle Byte	15:8	GAIN[7:0]	Gain Correction Lower Byte
-------	-------------	-------------------------------	------	------------	--------------------------------	------	-----------	-------------------------------

17.2.9 OFFSET1 - OFFSET4 - 0x25 - 0x28

Figure 78. Offset Correction Register OFFSET1

(MSB) 23	22	21	20	19	18	17	16
OFST23	OFST22	OFST21	OFST20	OFST19	OFST18	OFST17	OFST16
R/W	R/W	R/W	R/W	R/W	R/W	R/W	R/W
0	0	0	0	0	0	0	0

15	14	13	12	11	10	9	8
OFST15	OFST14	OFST13	OFST12	OFST11	OFST10	OFST9	OFST8
R/W	R/W	R/W	R/W	R/W	R/W	R/W	R/W
0	0	0	0	0	0	0	0

7	6	5	4	3	2	1	(LSB) 0
OFST7	OFST6	OFST5	OFST4	OFST3	OFST2	OFST1	OFST0
R/W	R/W	R/W	R/W	R/W	R/W	R/W	R/W
0	0	0	0	0	0	0	0

I/O Address: 0x25

-- Not defined;
read as 0

R Readable
W Writable
R/W Readable and
Writable

Bits in bottom rows
are reset condition

Bit definitions:

23:16	OFST[23:16]	Offset Correction Upper Byte	15:8	OFST[15:8]	Offset Correction Middle Byte	15:8	OFST[7:0]	Offset Correction Lower Byte
-------	-------------	---------------------------------	------	------------	----------------------------------	------	-----------	---------------------------------

17.2.10 TIMEBRK - 0x29

Figure 79. Time Break Counter Register TIMEBRK

(MSB) 23	22	21	20	19	18	17	16
TBRK23	TBRK22	TBRK21	TBRK20	TBRK19	TBRK18	TBRK17	TBRK16
R/W	R/W	R/W	R/W	R/W	R/W	R/W	R/W
0	0	0	0	0	0	0	0

15	14	13	12	11	10	9	8
TBRK15	TBRK14	TBRK13	TBRK12	TBRK11	TBRK10	TBRK9	TBRK8
R/W	R/W	R/W	R/W	R/W	R/W	R/W	R/W
0	0	0	0	0	0	0	0

7	6	5	4	3	2	1	(LSB) 0
TBRK7	TBRK6	TBRK5	TBRK4	TBRK3	TBRK2	TBRK1	TBRK0
R/W	R/W	R/W	R/W	R/W	R/W	R/W	R/W
0	0	0	0	0	0	0	0

I/O Address: 0x29	
--	Not defined; read as 0
R	Readable
W	Writable
R/W	Readable and Writable
Bits in bottom rows are reset condition	

Bit definitions:

23:16	TBRK[23:16]	Time Break Counter Upper Byte	15:8	TBRK[15:8]	Time Break Counter Middle Byte	7:0	TBRK[7:0]	Time Break Counter Lower Byte
-------	-------------	----------------------------------	------	------------	-----------------------------------	-----	-----------	----------------------------------

17.2.11 TBS_CFG - 0x2A
Figure 80. Test Bit Stream Configuration Register TBS_CFG

(MSB) 23	22	21	20	19	18	17	16
INTP7	INTP6	INTP5	INTP4	INTP3	INTP2	INTP1	INTP0
R/W	R/W	R/W	R/W	R/W	R/W	R/W	R/W
0	0	0	0	0	0	0	0

15	14	13	12	11	10	9	8
--	RATE2	RATE1	RATE0	--	CDLY2	CDLY1	CDLY0
R/W	R/W	R/W	R/W	R/W	R/W	R/W	R/W
0	0	0	0	0	0	0	0

7	6	5	4	3	2	1	(LSB) 0
LOOP	RUN	DDLY5	DDLY4	DDLY3	DDLY2	DDLY1	DDLY0
R/W	R/W	R/W	R/W	R/W	R/W	R/W	R/W
0	0	0	0	0	0	0	0

I/O Address: 0x2A	
--	Not defined; read as 0
R	Readable
W	Writable
R/W	Readable and Writable
Bits in bottom rows are reset condition	

Bit definitions:

23:16	INTP[7:0]	Interpolation factor 0xFF: 256 0xFE: 255 ... 0x01: 2 0x00: 1 (use once)	15	--	reserved	7	LOOP	Enable Test Bit Stream Digital Loopback
			14:12	RATE[2:0]	TBS internal clock rate 111: 16.384 MHz 110: 8.192 MHz 101: 4.096 MHz 100: 2.048 MHz 011: 1.024 MHz 010: 512 kHz 001: 256 kHz 000: 32 kHz (default) Output bit rate is 1/8 of this frequency	6	RUN	Enable Test Bit Stream
						5:0	DDLY[5:0]	Data output bit delay 0x3F: 63 bits 0x3E: 62 bits . . . 0x01: 1 bit 0x00: 0 bits (i.e. no delay)
			11	--	reserved			
			10:8	CDLY[2:0]	Clock output phase delay 111: 7/8 period 110: 3/4 period 101: 5/8 period 100: 1/2 period 011: 3/8 period 010: 1/4 period 001: 1/8 period 000: none			

17.2.12 WD_CFG - 0x2B

Figure 81. Watchdog Configuration Register WD_CFG

(MSB) 23	22	21	20	19	18	17	16
--	--	--	--	--	--	--	--
R/W	R/W	R/W	R/W	R/W	R/W	R/W	R/W
0	0	0	0	0	0	0	0

15	14	13	12	11	10	9	8
WCNT15	WCNT14	WCNT13	WCNT12	WCNT11	WCNT10	WCNT9	WCNT8
R/W	R/W	R/W	R/W	R/W	R/W	R/W	R/W
0	0	0	0	0	0	0	0

7	6	5	4	3	2	1	(LSB) 0
WCNT7	WCNT6	WCNT5	WCNT4	WCNT3	WCNT2	WCNT1	WCNT0
R/W	R/W	R/W	R/W	R/W	R/W	R/W	R/W
0	0	0	0	0	0	0	0

I/O Address: 0x2B

-- Not defined;
read as 0

R Readable

W Writable

R/W Readable and
Writable

Bits in bottom rows
are reset condition

Bit definitions:

23:16	--	reserved	15:8	WCNT[15:8]	Watchdog Counter Upper Byte	15:8	WCNT[7:0]	Watchdog Counter Lower Byte
-------	----	----------	------	------------	--------------------------------	------	-----------	--------------------------------

17.2.13 SYSTEM1, SYSTEM2 - 0x2C, 0x2D
Figure 82. User Defined System Register SYSTEM1

(MSB) 23	22	21	20	19	18	17	16
SYS23	SYS22	SYS21	SYS20	SYS19	SYS18	SYS17	SYS16
R/W	R/W	R/W	R/W	R/W	R/W	R/W	R/W
0	0	0	0	0	0	0	0
15	14	13	12	11	10	9	8
SYS15	SYS14	SYS13	SYS12	SYS11	SYS10	SYS9	SYS8
R/W	R/W	R/W	R/W	R/W	R/W	R/W	R/W
0	0	0	0	0	0	0	0
7	6	5	4	3	2	1	(LSB) 0
SYS7	SYS6	SYS5	SYS4	SYS3	SYS2	SYS1	SYS0
R/W	R/W	R/W	R/W	R/W	R/W	R/W	R/W
0	0	0	0	0	0	0	0

I/O Address: 0x2C	
--	Not defined; read as 0
R	Readable
W	Writable
R/W	Readable and Writable
Bits in bottom rows are reset condition	

Bit definitions:

23:16	SYS[23:16]	System Register Upper Byte	15:8	SYS[15:8]	System Register Middle Byte	7:0	SYS[7:0]	System Register Lower Byte
-------	------------	-------------------------------	------	-----------	--------------------------------	-----	----------	-------------------------------

17.2.14 VERSION - 0x2E
Figure 83. Hardware Version ID Register VERSION

(MSB) 23	22	21	20	19	18	17	16
TYPE7	TYPE6	TYPE5	TYPE4	TYPE3	TYPE2	TYPE1	TYPE0
R/W	R/W	R/W	R/W	R/W	R/W	R/W	R/W
0	1	1	1	0	1	1	0

15	14	13	12	11	10	9	8
HW7	HW6	HW5	HW4	HW3	HW2	HW1	HW0
R/W	R/W	R/W	R/W	R/W	R/W	R/W	R/W
0	0	0	0	0	0	0	1

7	6	5	4	3	2	1	(LSB) 0
ROM7	ROM6	ROM5	ROM4	ROM3	ROM2	ROM1	ROM0
R/W	R/W	R/W	R/W	R/W	R/W	R/W	R/W
0	0	0	0	0	0	0	1

I/O Address: 0x2E

-- Not defined;
read as 0
R Readable
W Writable
R/W Readable and
Writable

Bits in bottom rows
are reset condition

Bit definitions:

23:16	TYPE [7:0]	Chip Type 76 - CS5376	15:8	HW [7:0]	Hardware Revision 01 - Rev A	7:4	ROM [7:0]	ROM Version 01 - Ver 1.0
-------	---------------	--------------------------	------	-------------	---------------------------------	-----	--------------	-----------------------------

17.2.15 SELFTEST - 0x2F

Figure 84. Self Test Result Register SELFTEST

(MSB) 23	22	21	20	19	18	17	16
--	--	--	--	EU3	EU2	EU1	EU0
R/W	R/W	R/W	R/W	R/W	R/W	R/W	R/W
0	0	0	0	1	0	1	0

15	14	13	12	11	10	9	8
DRAM3	DRAM2	DRAM1	DRAM0	PRAM3	PRAM2	PRAM1	PRAM0
R/W	R/W	R/W	R/W	R/W	R/W	R/W	R/W
1	0	1	0	1	0	1	0

7	6	5	4	3	2	1	(LSB) 0
DROM3	DROM2	DROM1	DROM0	PROM3	PROM2	PROM1	PROM0
R/W	R/W	R/W	R/W	R/W	R/W	R/W	R/W
1	0	1	0	1	0	1	0

I/O Address: 0x2F

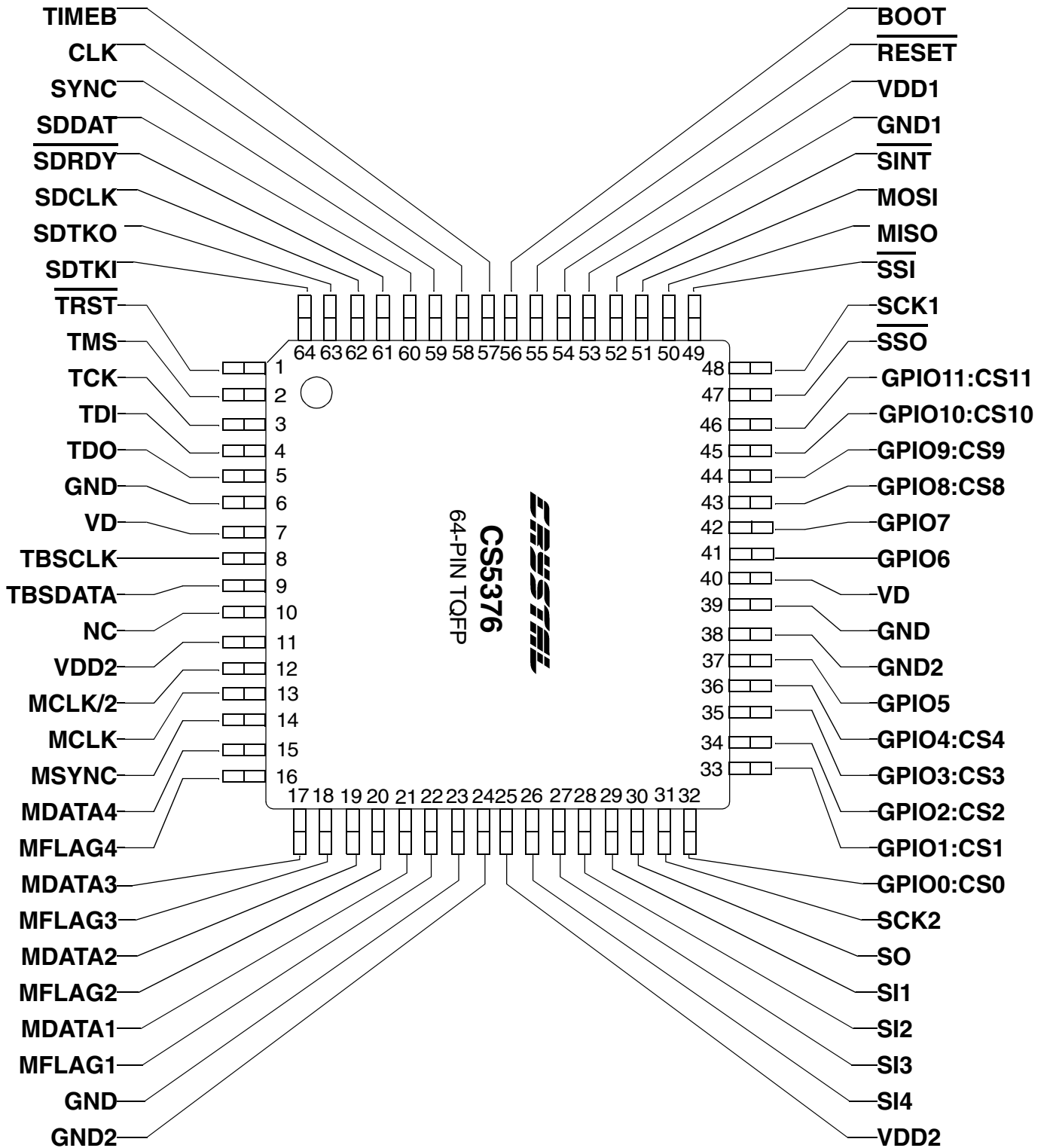
-- Not defined;
read as 0

R Readable
W Writable
R/W Readable and
Writable

Bits in bottom rows
are reset condition

Bit definitions:

23:20	--	reserved	15:12	DRAM [3:0]	Data RAM Test 'A': Pass 'F': Fail	7:4	DROM [3:0]	Data ROM Test 'A': Pass 'F': Fail
19:16	EU [3:0]	Execution Unit Test 'A': Pass 'F': Fail	11:8	PRAM [3:0]	Program RAM Test 'A': Pass 'F': Fail	3:0	PROM [3:0]	Program ROM Test 'A': Pass 'F': Fail

18. PIN DESCRIPTIONS


Power Supply Connections

VDD1 - Positive Digital Power Supply, pin 54

Positive supply voltage for the communication interface. The communication interface includes the JTAG pins (1, 2, 3, 4, 5), the serial data output pins (60, 61, 62, 63, 64), the serial port interface 1 pins (47, 48, 49, 50, 51, 52), the GPIO 6-11 pins (41, 42, 43, 44, 45, 46), and control signals $\overline{\text{RESET}}$, BOOT, TIMEB, CLK, SYNC pins (55, 56, 57, 58, 59).

VDD2 - Positive Digital Power Supply, pins 11, 25

Positive supply voltage for the modulator interface. The modulator interface includes the test bit stream generator pins (8, 9), the modulator data output pins (12, 13, 14, 15, 16, 17, 18, 19, 20, 21, 22), the serial port interface 2 pins (26, 27, 28, 29, 30, 31), and the GPIO 0-5 pins (32, 33, 34, 35, 36, 37).

VD - Positive Digital Power Supply, pins 7, 40

Positive supply voltages for the CS5376 logic core.

GND1, GND2, GND - Digital Ground, pin 53, 24, 38, 6, 23, 39

Reset Control

$\overline{\text{RESET}}$ - Reset, pin 55

Active low input. When low, the CS5376 is in a reset state.

BOOT - Boot mode selection, pin 56

Input signal sampled 1 μs after $\overline{\text{RESET}}$ is de-asserted. If low, the CS5376 boots in coprocessor mode; if high, the CS5376 boots in stand-alone mode.

Clock and Synchronization

CLK - Clock Input, pin 58

Clock input, 32.768 MHz. All internal clocks, MCLK, MCLK/2, SPI 1 clock, SPI2 clock, and TBSCLK are generated from CLK.

SYNC - Device Synchronization Input Signal, pin 59

Input synchronization signal. MSYNC is generated from a rising edge on this pin to synchronize the modulators, sinc filter, and decimation engine.

TIMEB - Time Break, pin 57

Time Break input. Signals the Decimation Engine to set the time break (TB) flag in the output status word for the sample representing the current sampling instant.

SPI 1 Interface **$\overline{\text{SSI}}$ - SPI 1 Slave Select Input, pin 49**

Serial Peripheral Interface 1 slave select input pin. Shifting of data is performed as long as the input slave select pin is low.

SCK1 - SPI 1 Clock, pin 48

Clock pin for the Serial Peripheral Interface 1 port. Maximum rate is 4 MHz.

MOSI - SPI 1 Master Out, Slave In, pin 51

Serial data output in master mode. Serial data input in slave mode.

MISO - SPI 1 Master Input, Slave Output, pin 50

Serial data input in master mode. Serial data output in slave mode.

 $\overline{\text{SINT}}$ - SPI 1 Interrupt to Master, pin 52

Serial Peripheral Interface 1 interrupt. This is an active low pin with an open drain.

 $\overline{\text{SSO}}$ - SPI 1 Slave Select Output, pin 47

Serial Peripheral Interface 1 slave select output pin.

SPI 2 Interface**SCK2 - SPI 2 Clock Output, pin 31**

Output clock from the Serial Peripheral Interface 2 port. Maximum rate is 4 MHz.

SO - SPI 2 Data Output, pin 30

Serial Peripheral Interface 2 data output.

SI1 - SPI 2 Data Input 1, pin 29

Serial Peripheral Interface 2 data input 1.

SI2 - SPI 2 Data Input 2, pin 28

Serial Peripheral Interface 2 data input 2.

SI3 - SPI 2 Data Input 3, pin 27

Serial Peripheral Interface 2 data input 3.

SI4 - SPI 2 Data Input 4, pin 26

Serial Peripheral Interface 2 data input 4.

Modulator Interface

MCLK - Modulator Clock Output, pin 13

The CS5376 outputs a clock to operate the CS5372 modulator. The clock frequency is selectable, nominal frequency 2.048 MHz.

MCLK/2 - Modulator Clock Divided by 2 Output, pin 12

The CS5376 outputs a slower clock to operate the CS5321 modulator. The clock frequency is selectable, nominal frequency 1.024 MHz.

MSYNC - Modulator Sync Output, pin 14

A transition from logic low to high reinitializes the modulator timing to be synchronous with the timing of the CS5376. Generated from the SYNC input signal.

MDATA[4:1] - Modulator Data Input, pin 15, 17, 19, 21

Modulator data is presented in a one-bit serial data stream (one's density) at a rate dictated by the rate of the MCLK signal. 512 kbit and 256 kbit are typical MDATA rates.

MFLAG[4:1] - Modulator Flag Input, pin 16, 18, 20, 22

Logic input which transitions from low to high to indicate that the modulator is in an unstable condition due to an over-ranged signal on its analog input.

Serial Data Output Port

SDTKI - Serial Data Chip Select Input, pin 64

Pulsed input signal which will initiate SDRDYZ signaling.

SDRDY - Serial Data Ready Output, pin 61

Signal which goes low to indicate that 32-bit conversion words are available to be clocked out of the SDDAT pin.

SDCLK - Serial Data Clock Input, pin 62

Input clock which determines the rate at which the SDDAT bits are output.

SDDAT - Serial Data Output, pin 60

Serial data output for conversion words from the CS5376. Formatted to output a 32-bit digital word consisting of one status byte followed by a three byte conversion word.

SDTKO - Serial Data Chip Select Output, pin 63

Output signal which indicates the current transaction has been completed.

Test Bit Stream Generator**TBSCLK - Test Signal Modulator Clock Output, pin 8**

A dedicated clock output pin to interface with an external Δ - Σ test DAC.

TBSDATA - Test Signal Modulator Data Output, pin 9

A dedicated data output pin to interface with an external Δ - Σ test DAC.

GPIO**GPIO[11:0] - General Purpose Input/Output, pins 32 to 37, 41 to 46**

General purpose pins for controlling local peripherals. Also used as chip selects for the SPI ports.

JTAG / IEEE-1149.1 Test Access Port**TRST - Test Reset, pin 1**

JTAG reset input pin, resets the test access port controller (TAP).

TMS - Test Mode Select, pin 2

JTAG mode select input pin, control signal to the test access port controller (TAP).

TCK - Test Clock, pin 3

JTAG clock input pin, clocks the test access port controller (TAP).

TDI - Test Data Input, pin 4

JTAG data input pin, the path by which serial data enters the device.


TDO - Test Data Output, pin 5

JTAG data output pin, the path by which serial data exits the device.

Schematic & Layout Review Service

Confirm Optimum
Schematic & Layout
Before Building Your Board.

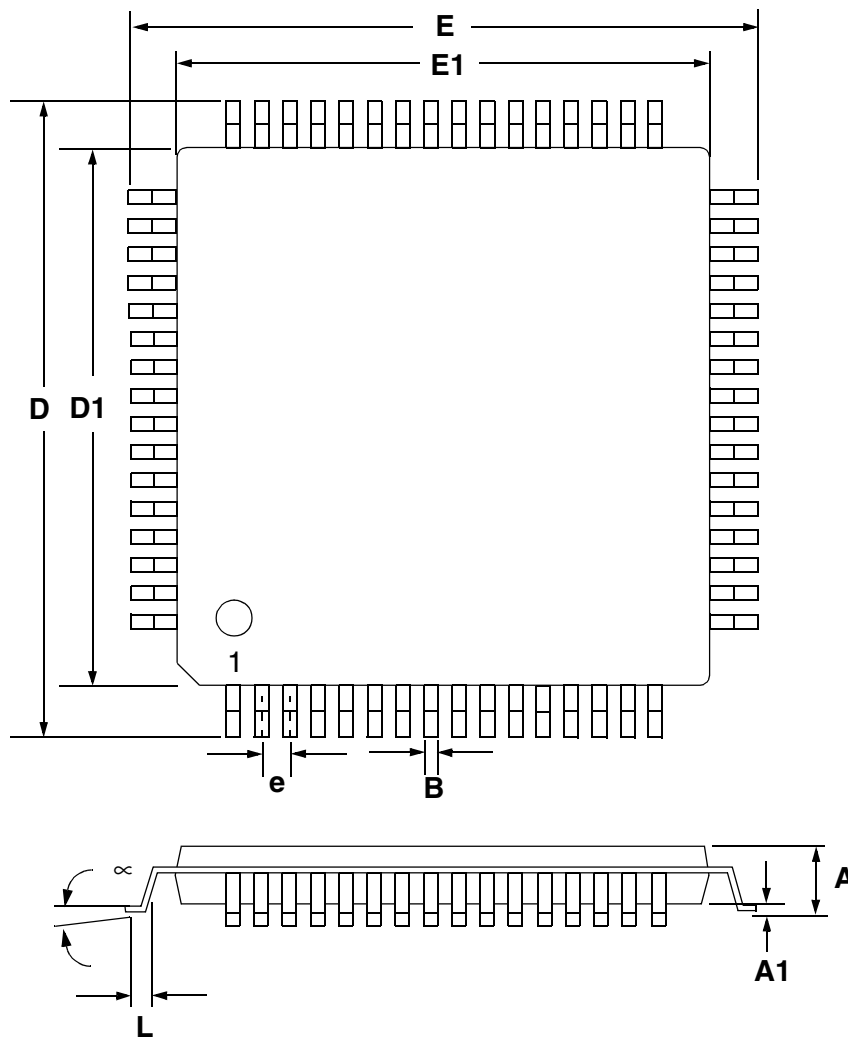
For Our Free Review Service
Call Applications Engineering.



Call : (5 1 2) 4 4 5 - 7 2 2 2

19. PACKAGE DIMENSIONS

64L TQFP PACKAGE DRAWING



DIM	INCHES		MILLIMETERS	
	MIN	MAX	MIN	MAX
A	---	0.063	---	1.60
A1	0.002	0.006	0.05	0.15
B	0.007	0.011	0.17	0.27
D	0.461	0.484	11.70	12.30
D1	0.390	0.398	9.90	10.10
E	0.461	0.484	11.70	12.30
E1	0.390	0.398	9.90	10.10
e*	0.016	0.024	0.40	0.60
L	0.018	0.030	0.45	0.75
μ	0.000°	7.000°	0.00°	7.00°

* Nominal pin pitch is 0.50 mm
 Controlling dimension is mm.
 JEDEC Designation: MS026

• **Notes** •

SMART
Analog™