

---

## Errata: CS53L32A Datasheet Correction

(Reference CS53L32A Data Sheet revision DS513PP1 dated Jul '00)

---

The following is a correction to the CS53L32A datasheet revision DS513PP1 dated Jun '00. The changes in this errata will be corrected in the next revision of the datasheet.

- On page 9, the slave mode operation requires an exact 50% duty cycle LRCK. If this requirement is not met, the CS53L32A will produce erroneous data.
- On page 26, there is an additional requirement for pin 4 SDOUT in Stand-Alone mode. In Stand-Alone mode the state of pin 4 SDOUT, on startup, determines Master or Slave mode. To select Master mode pin 4 needs a 47kOhm pull-up resistor to VL (see figure 1). To select Slave Mode pin4 needs a 47kOhm pull-down resistor to ground (see figure 2).

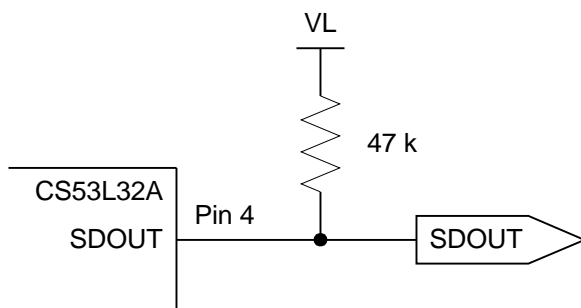


Figure 1. Stand-Alone Master Mode

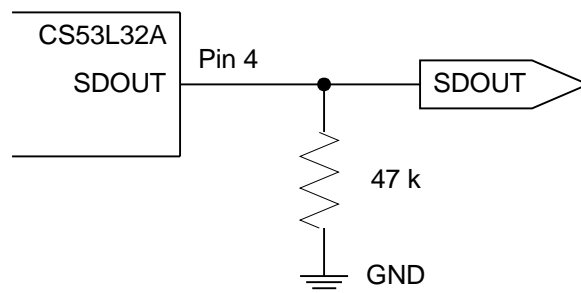


Figure 2. Stand-Alone Slave Mode

---

If there are any questions concerning this information,  
Please contact Applications Engineering at 512-445-7222  
or via email at [proaudio@crystal.com](mailto:proaudio@crystal.com)

---