

TPS61042 Dual Li-Ion and Higher Input Voltages

Michael Day

Low-Power DC/DC Applications

ABSTRACT

This document shows how to operate the TPS61042 from input voltages greater than 6 V. The ability to operate from input voltages greater than 6 V allows the TPS61042 to operate from dual Li-Ion or higher input voltages.

The TPS61042 is a highly integrated constant-current LED driver that is designed to operate from input voltages between 1.8 V and 6.0 V. For portable systems, this input voltage range covers 2-, and 3-cell alkaline as well as single Li-Ion sources. In order to provide longer battery life, many systems are migrating to 4-cell alkaline (3.6-V to 7.2-V) or dual Li-Ion (6.0-V to 8.4-V). A slight modification to the typical application circuit shown in the data sheet allows the TPS61042 to be operated from these higher input voltages. The 6-V input voltage limitation to the TPS61042 comes from the maximum voltage rating of the VIN pin. The TPS61042 can be used with higher input voltages as long as the control circuitry is kept separate from the power stage so that VIN can be kept below 6 V. Figure 1 shows a typical LED driver application that is powered from a dual Li-Ion input. The bias voltage to the IC is disconnected from the power stage. In this application, the TPS61042, which is powered through VIN, receives its input bias voltage from an available system voltage of 3.3 V. VIN can be connected to any available system voltage between 1.8 V and 6.0 V. The input current into VIN is typically less than 500 μ A. If a lower system voltage is not available, then a resistor and a zener diode can be used to provide a local bias voltage to the IC. The power stage is connected directly to the dual Li-Ion input. In general, the power stage can be powered from any voltage that is less than the required output voltage.

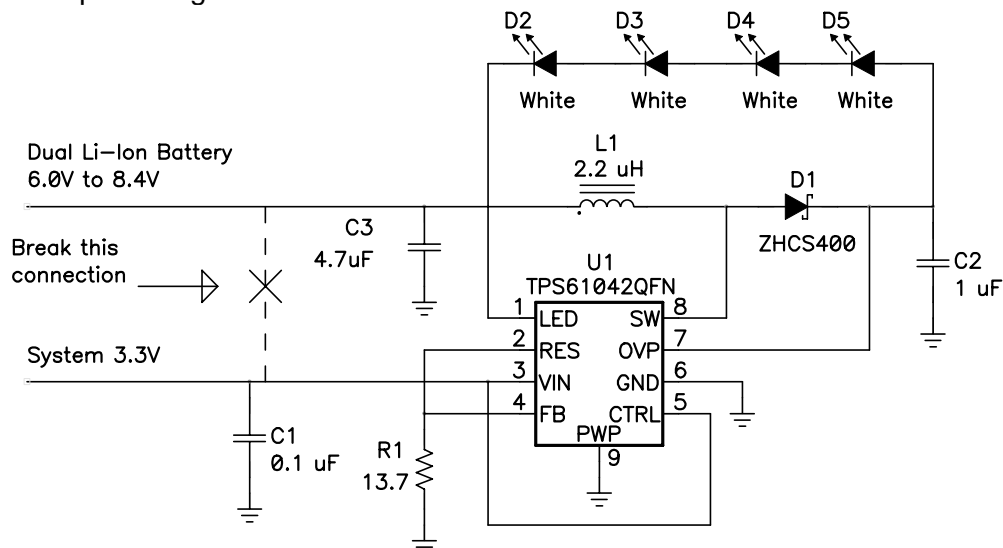


Figure 1. Typical Dual Li-Ion Powered LED Driver

In addition to extending the useful operating range of the TPS61042, this technique provides two additional benefits: increased efficiency and higher available power output. Efficiency is increased due to the reduced conversion factor of the supply. Figure 2 shows the increase in efficiency with rising input voltage for a typical four-white-LED application.

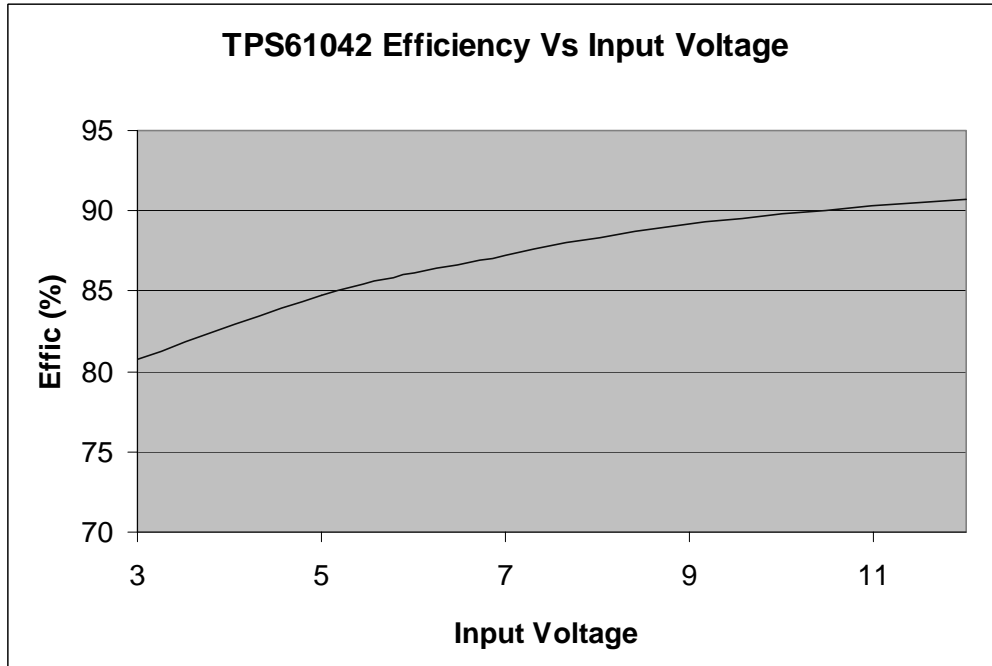


Figure 2. TPS61042 Efficiency vs Input Voltage

The increase in output power with increased input voltage is a function of the TPS61042 operating topology. The TPS61042 is a hysteretic, discontinuous boost converter. For more information on this subject, refer to the TPS61041 data sheet, TI literature number SLVS441. Figure 3 shows the TPS61042 maximum drive current versus input voltage for a typical four-white-LED load drive circuit.

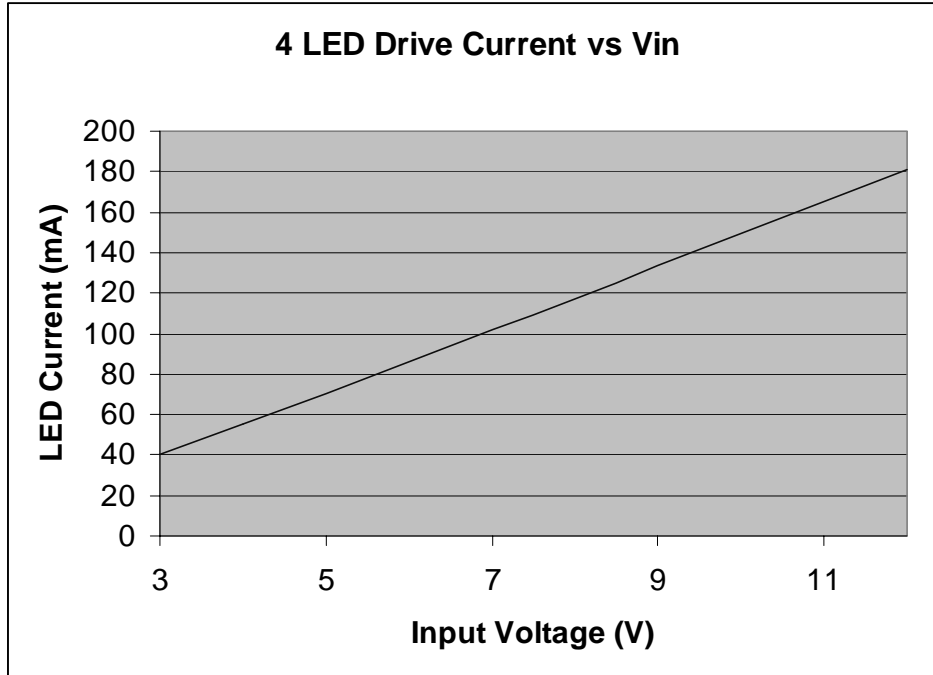


Figure 3. TPS61042 Four LED Drive Current vs Input Voltage

To summarize, the TPS61042 may be configured to operate from input voltages greater than 6 V. Operating from higher input voltages extends the operating range of the IC, increases operating efficiency, and increases available output power. This technique is also applicable to TI's TPS61040, TPS61041, and TPS61045 boost converters as well.

Table 1. Other Boost Converters Available From Texas Instruments

Device	Type	Iout mA	Switch Limit mA (max)	Vin V	Vout V	Switching Frequency KHz (max)	Shutdown	LDO (mA)	Low Battery	PG	Power Sequencing	UVLO	Current Limit	Thermal Limit
TPS61000	Boost	100/250	1100	0.8-3.3	1.5-3.3	840	x		x			x	x	
TPS61010	Boost	100/250	1130	0.8-3.3	1.5-3.3	840	x		x			x	x	
TPS61030	Boost	1000	4500	1.8-5.5	1.8-5.5	700	x		x			x	x	x
TPS61040	Boost	20 @ 18V	400	1.8-6.0	Vin - 28	1000	x					x	x	
TPS61041	Boost	20 @ 18V	250	1.8-6.0	Vin - 28	1000	x					x	x	
TPS61042	Boost	6 white LEDs	500	1.8-6.0	28	1000	x					x		x
TPS61045	Boost	LCD drive	450	1.8-6.0	30	1000	x				x	x		x
TPS61100	Boost + LDO	200	1500	0.8-3.3	1.5-5.5	800	x	120	x	x			x	x
TPS61120	Boost + LDO	500	1600	1.8-5.5	2.5-5.5	600	x	200	x	x			x	x

IMPORTANT NOTICE

Texas Instruments Incorporated and its subsidiaries (TI) reserve the right to make corrections, modifications, enhancements, improvements, and other changes to its products and services at any time and to discontinue any product or service without notice. Customers should obtain the latest relevant information before placing orders and should verify that such information is current and complete. All products are sold subject to TI's terms and conditions of sale supplied at the time of order acknowledgment.

TI warrants performance of its hardware products to the specifications applicable at the time of sale in accordance with TI's standard warranty. Testing and other quality control techniques are used to the extent TI deems necessary to support this warranty. Except where mandated by government requirements, testing of all parameters of each product is not necessarily performed.

TI assumes no liability for applications assistance or customer product design. Customers are responsible for their products and applications using TI components. To minimize the risks associated with customer products and applications, customers should provide adequate design and operating safeguards.

TI does not warrant or represent that any license, either express or implied, is granted under any TI patent right, copyright, mask work right, or other TI intellectual property right relating to any combination, machine, or process in which TI products or services are used. Information published by TI regarding third-party products or services does not constitute a license from TI to use such products or services or a warranty or endorsement thereof. Use of such information may require a license from a third party under the patents or other intellectual property of the third party, or a license from TI under the patents or other intellectual property of TI.

Reproduction of information in TI data books or data sheets is permissible only if reproduction is without alteration and is accompanied by all associated warranties, conditions, limitations, and notices. Reproduction of this information with alteration is an unfair and deceptive business practice. TI is not responsible or liable for such altered documentation.

Resale of TI products or services with statements different from or beyond the parameters stated by TI for that product or service voids all express and any implied warranties for the associated TI product or service and is an unfair and deceptive business practice. TI is not responsible or liable for any such statements.

Mailing Address:

Texas Instruments
Post Office Box 655303
Dallas, Texas 75265