

TPS62110EVM-101

This user's guide describes the characteristics, operation, and use of the TPS62110EVM evaluation module (EVM). This EVM is designed to help the user easily evaluate and test the operation and functionality of the TPS62110. This User's Guide includes setup instructions for the hardware, a schematic diagram, a bill of materials (BOM), and PCB layout drawings for the evaluation module.

Contents

1	Introduction	1
2	Setup	2
3	Board Layout	3
4	Schematic and Bill of Materials	6
5	Related Documentation From Texas Instruments.....	7

List of Figures

1	Assembly Layer	3
2	Top Layer Routing	4
3	Bottom Layer Routing	5
4	TPS62110EVM-101 Schematic.....	6

List of Tables

1	Performance Specification Summary	2
2	TPS62110EVM-101 Bill of Materials	7

1 Introduction

The Texas Instruments TPS62110 is a 1.5-A synchronous step-down converter in a 16-pin QFN package. Both fixed and adjustable output voltage units are available.

1.1 Background

The TPS62110EVM-101 uses the TPS62110 adjustable version and is set to 3.3 V output. The EVM operates with full rated performance with an input voltage between 3.6 V and 17 V.

1.2 Performance Specification

Table 1 provides a summary of the TPS62110EVM-101 performance specifications. All specifications are given for an ambient temperature of 25°C.

Table 1. Performance Specification Summary

Specification	Test Conditions	Min	Typ	Max	Unit
Input Voltage		3.6		17	V
Output Voltage	I _{out} = 10 mA to 1500 mA	3.267	3.3	3.333	V
Output Current		0		1500	mA
Low Battery Output (LBO)	V _{IN}	5.8	6.0	6.2	V
Power Good (PG)	V _{OUT}		3.25		V

1.3 Modifications

The PWB for this EVM is designed to accommodate both the fixed and adjustable versions of this IC. If the fixed version is installed, replace R1 with a 0-Ω resistor; R1 and C3 are open. If additional filtering is desired, C5 can be added.

1.3.1 Adjustable Output IC U1 Operation

U1 is configured for evaluation of the adjustable output version. This unit is configured for 3.3 V. Resistors R1 and R2 are used to set the output voltage between 1.2 V and 16 V. See the TPS62110 datasheet (SLVS585) for recommended values. The feedforward capacitor C3 may also need to be changed. For more information see the data sheet.

1.3.2 Fixed Output Operation

U1 can be replaced with the fixed version for evaluation. For fixed-version operation, replace R1 with a 0-Ω resistor; R2 and C3 positions remain unpopulated.

2 Setup

This section describes how to properly use the TPS62110EVM-101.

2.1 Input / Output Connector Descriptions

J1–VIN	Positive input connection from the input supply for U1
J2–GND	Return connection from the input supply for U1, common with J4.
J3–VOUT	Output voltage connection
J4–GND	Output return connection, common with J2
J5–LBO/PG	Low battery output (LBO) pulled up to V _{out} ; low indicates LBI is below its threshold. Power good (PG), low indicates output voltage is less than 98.4% of the normal value.
JP1–SYNC PFM/PWM	Input for synchronization to external clock signal. High forces low-noise PWM mode, low enables power save PFM/PWM mode.
JP2–EN	Enable pin, low on the EN turns unit off.

2.2 Setup

To operate the EVM, simply connect an input supply to the appropriate pins, and then connect a load to the appropriate pins. Maximum recommended load is 1.5 A or 2.2 Ω . Input supply of 6 V to 17 V is recommended.

3 Board Layout

This section provides the TPS62110EVM-101 board layout and illustrations.

3.1 Layout

Figure 1 shows the board layout for the TPS62110EVM-101 PWB.

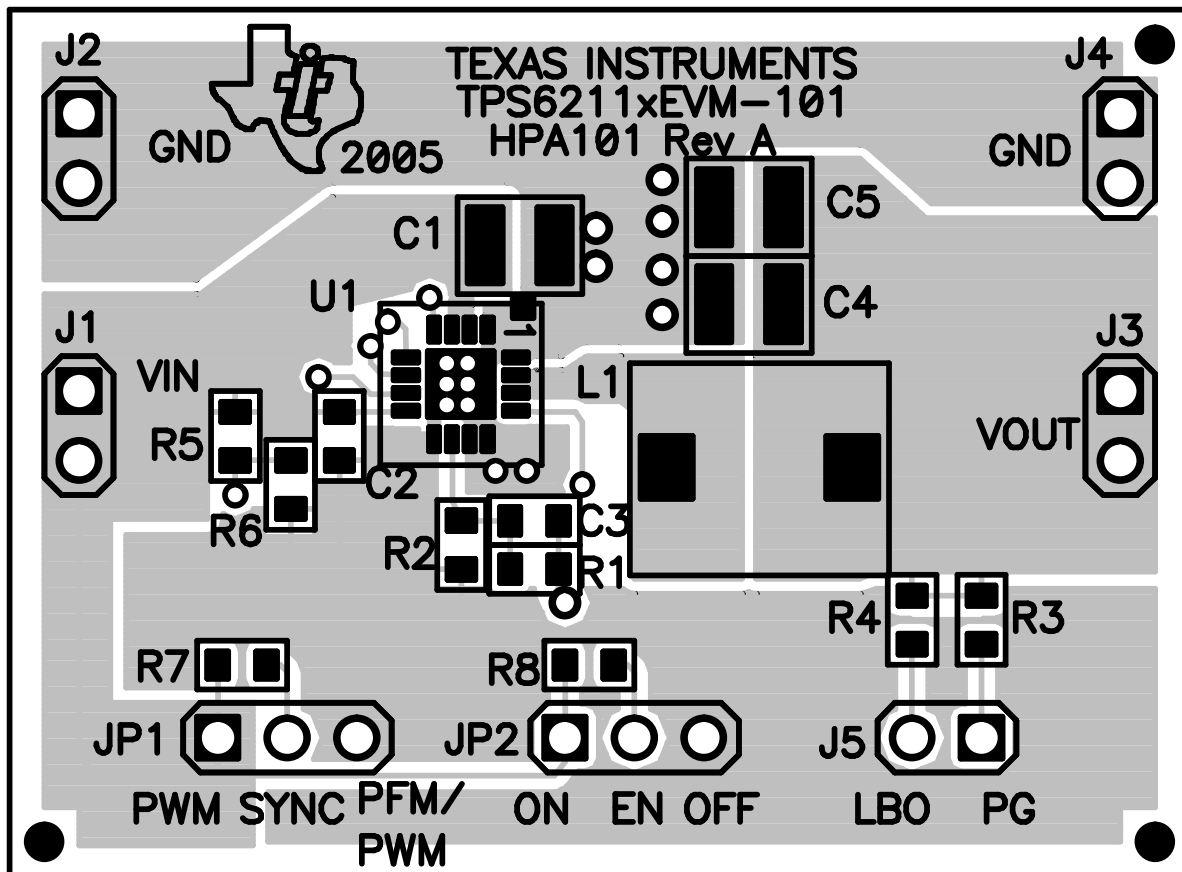


Figure 1. Assembly Layer

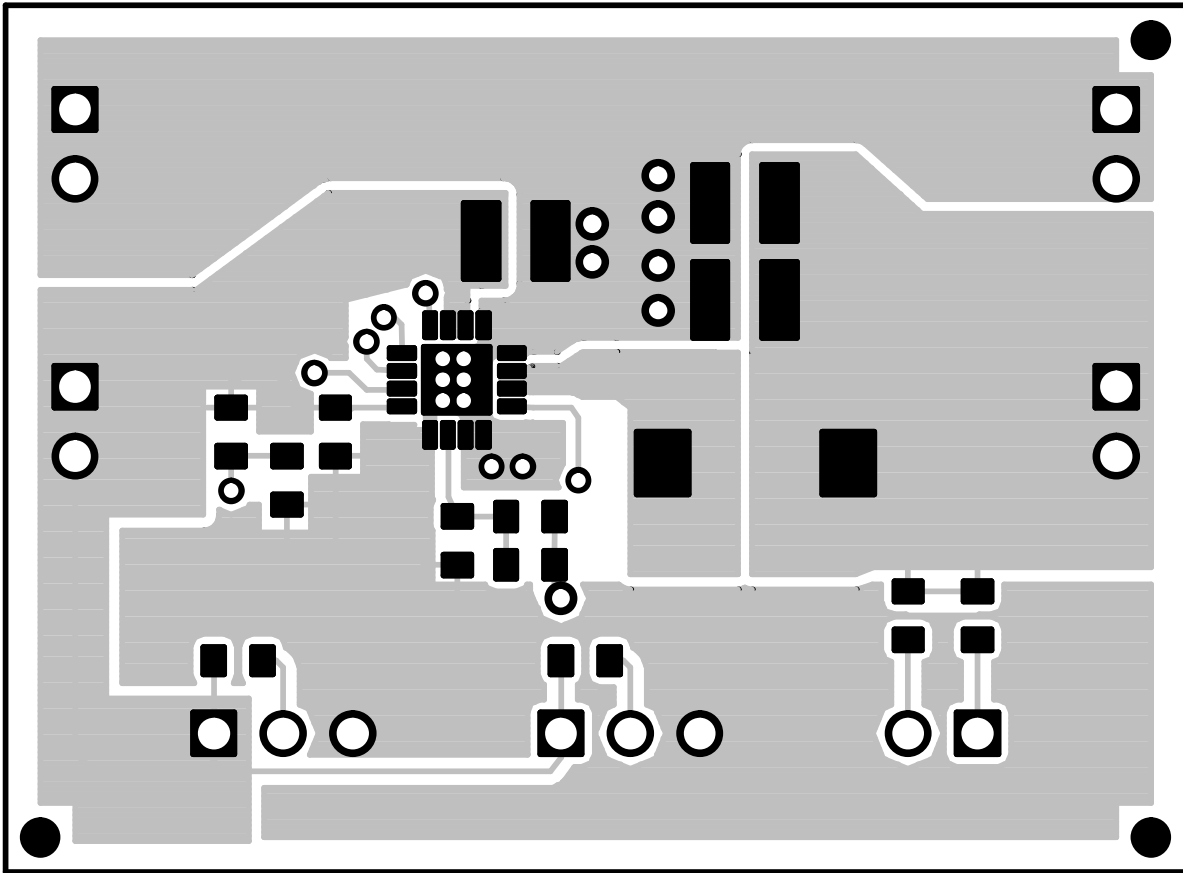


Figure 2. Top Layer Routing

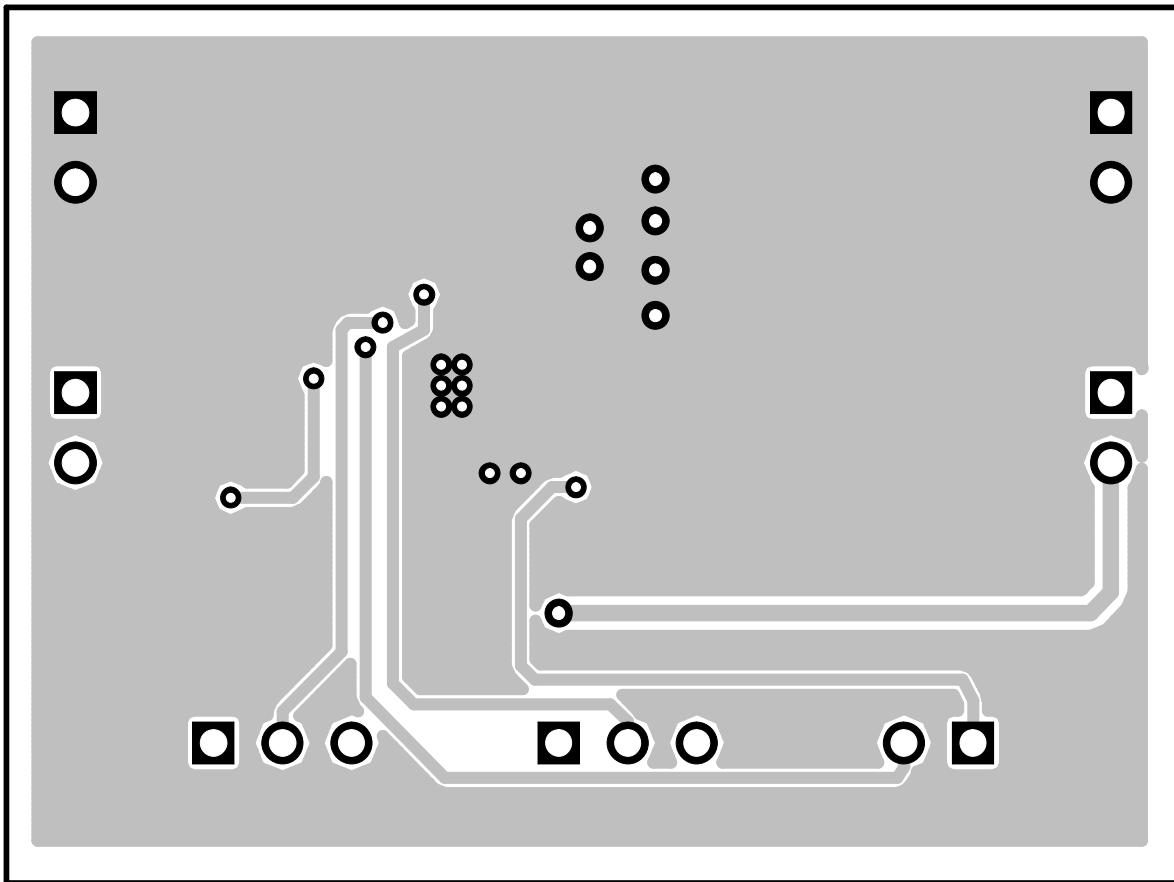


Figure 3. Bottom Layer Routing

4 Schematic and Bill of Materials

This section provides the TPS62110EVM-101 schematic and bill of materials.

4.1 Schematic

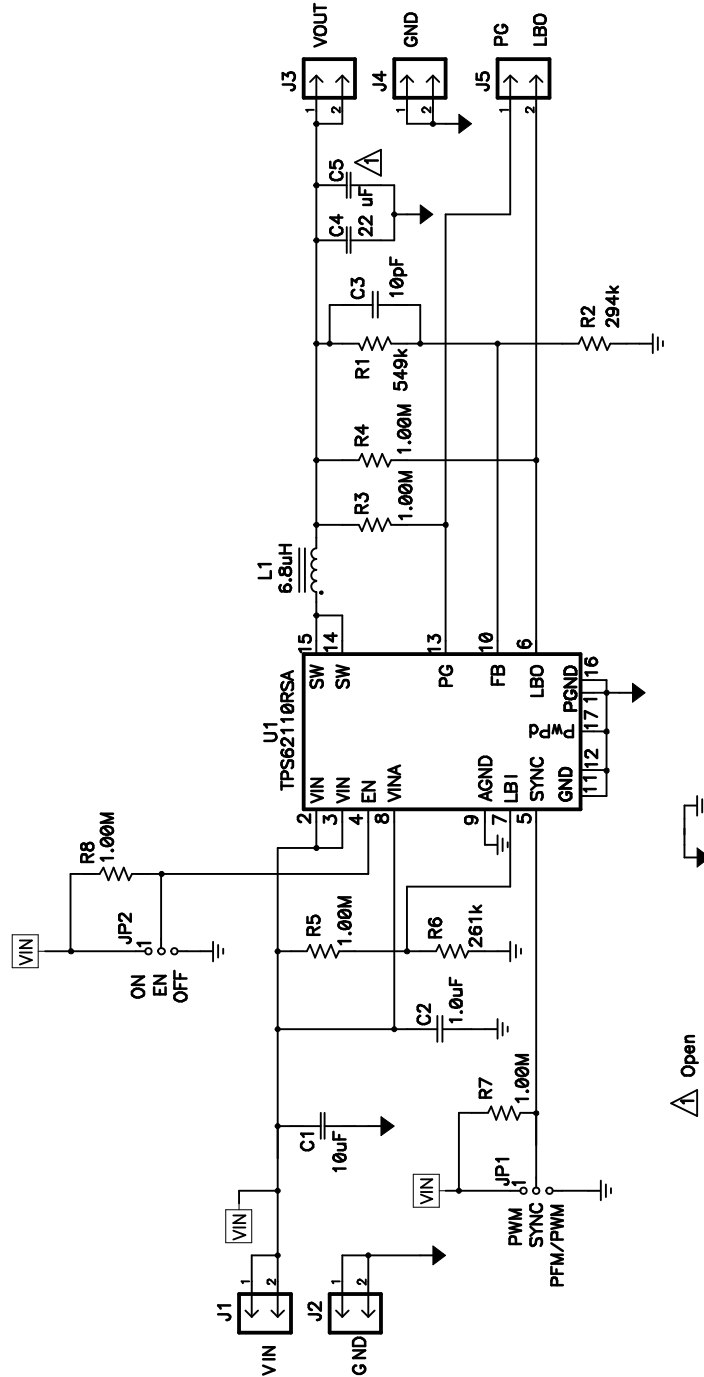


Figure 4. TPS62110EVM-101 Schematic

4.2 Bill of Materials

Table 2. TPS62110EVM-101 Bill of Materials

COUNT	Ref Des	DESCRIPTION	SIZE	PART NUMBER	MFR
1	C1	Capacitor, Ceramic, 10- μ F, 25-V, X5R, 10%	1210	C3225X5R1E106K	TDK
1	C2	Capacitor, Ceramic, 1.0- μ F, 16-V, X7R, 10%	0603	C1608X7R1C105K	TDK
1	C3	Capacitor, Ceramic, 10-pF, 50-V, C0G, 5%	0603	C1608C0G1H100DB	TDK
1	C4	Capacitor, Ceramic, 22- μ F, 16-V, X7R, 20%	1210	C3225X7R1C226M	TDK
0	C5	Capacitor, Ceramic, xx- μ F, xx-V	0805		
5	J1–J5	Header, 2-pin, 100-mil spacing, (36-pin strip)	0.100 × 2	PTC36SAAN	Sullins
2	JP1, JP2	Header, 3-pin, 100-mil spacing, (36-pin strip)	0.100 × 3	PTC36SAAN	Sullins
1	L1	Inductor, SMT, 6.8- μ H, 1.6-A, 49.2-m Ω	0.276 sq	SLF7032T-6R8M1R6	TDK
1	R1	Resistor, Chip, 549 k Ω , 1/16-W, 1%	0603	Std	Std
1	R2	Resistor, Chip, 294 k Ω , 1/16-W, 1%	0603	Std	Std
5	R3–R8	Resistor, Chip, 1.00 M Ω , 1/16-W, 1%	0603	Std	Std
1	R6	Resistor, Chip, 261 k Ω , 1/16-W, 1%	0603	Std	Std
1	U1	IC, Synchronous Step-Down Converter, 17V, 1.5A	QFN-16	TPS62110RSA	TI
1	–	PCB, 1.7-Inch × 1.25-Inch × 0.062-Inch		HPA101	Any
2	–	Shunt, 100-mil, black	0.100	929950-00	3M

5 Related Documentation From Texas Instruments

1. TPS62110 data sheet (SLVS585)

FCC Warnings

This equipment is intended for use in a laboratory test environment only. It generates, uses, and can radiate radio frequency energy and has not been tested for compliance with the limits of computing devices pursuant to subpart J of part 15 of FCC rules, which are designed to provide reasonable protection against radio frequency interference. Operation of this equipment in other environments may cause interference with radio communications, in which case the user at his own expense will be required to take whatever measures may be required to correct this interference.

EVM IMPORTANT NOTICE

Texas Instruments (TI) provides the enclosed product(s) under the following conditions:

This evaluation kit being sold by TI is intended for use for **ENGINEERING DEVELOPMENT OR EVALUATION PURPOSES ONLY** and is not considered by TI to be fit for commercial use. As such, the goods being provided may not be complete in terms of required design-, marketing-, and/or manufacturing-related protective considerations, including product safety measures typically found in the end product incorporating the goods. As a prototype, this product does not fall within the scope of the European Union directive on electromagnetic compatibility and therefore may not meet the technical requirements of the directive.

Should this evaluation kit not meet the specifications indicated in the EVM User's Guide, the kit may be returned within 30 days from the date of delivery for a full refund. **THE FOREGOING WARRANTY IS THE EXCLUSIVE WARRANTY MADE BY SELLER TO BUYER AND IS IN LIEU OF ALL OTHER WARRANTIES, EXPRESSED, IMPLIED, OR STATUTORY, INCLUDING ANY WARRANTY OF MERCHANTABILITY OR FITNESS FOR ANY PARTICULAR PURPOSE.**

The user assumes all responsibility and liability for proper and safe handling of the goods. Further, the user indemnifies TI from all claims arising from the handling or use of the goods. Please be aware that the products received may not be regulatory compliant or agency certified (FCC, UL, CE, etc.). Due to the open construction of the product, it is the user's responsibility to take any and all appropriate precautions with regard to electrostatic discharge.

EXCEPT TO THE EXTENT OF THE INDEMNITY SET FORTH ABOVE, NEITHER PARTY SHALL BE Liable to the other FOR ANY INDIRECT, SPECIAL, INCIDENTAL, OR CONSEQUENTIAL DAMAGES.

TI currently deals with a variety of customers for products, and therefore our arrangement with the user **is not exclusive.**

TI assumes **no liability for applications assistance, customer product design, software performance, or infringement of patents or services described herein.**

Please read the EVM User's Guide and, specifically, the EVM Warnings and Restrictions notice in the EVM User's Guide prior to handling the product. This notice contains important safety information about temperatures and voltages. For further safety concerns, please contact the TI application engineer.

Persons handling the product must have electronics training and observe good laboratory practice standards.

No license is granted under any patent right or other intellectual property right of TI covering or relating to any machine, process, or combination in which such TI products or services might be or are used.

Mailing Address: Texas Instruments, Post Office Box 655303, Dallas, Texas 75265
Copyright © 2005, Texas Instruments Incorporated

EVM WARNINGS AND RESTRICTIONS

It is important to operate this EVM within the input voltage range of 3.6 V to 17 V. Maximum recommended load is 1.5 A or 2.2 Ω .

Exceeding the specified input range may cause unexpected operation and/or irreversible damage to the EVM. If there are questions concerning the input range, please contact a TI field representative prior to connecting the input power.

During normal operation, some circuit components may have case temperatures greater than 50°C. The EVM is designed to operate properly with certain components above 50°C as long as the input and output ranges are maintained. These components include but are not limited to linear regulators, switching transistors, pass transistors, and current sense resistors. These types of devices can be identified using the EVM schematic located in the EVM User's Guide. When placing measurement probes near these devices during operation, please be aware that these devices may be very warm to the touch.

Mailing Address: Texas Instruments, Post Office Box 655303, Dallas, Texas 75265
Copyright © 2005, Texas Instruments Incorporated

IMPORTANT NOTICE

Texas Instruments Incorporated and its subsidiaries (TI) reserve the right to make corrections, modifications, enhancements, improvements, and other changes to its products and services at any time and to discontinue any product or service without notice. Customers should obtain the latest relevant information before placing orders and should verify that such information is current and complete. All products are sold subject to TI's terms and conditions of sale supplied at the time of order acknowledgment.

TI warrants performance of its hardware products to the specifications applicable at the time of sale in accordance with TI's standard warranty. Testing and other quality control techniques are used to the extent TI deems necessary to support this warranty. Except where mandated by government requirements, testing of all parameters of each product is not necessarily performed.

TI assumes no liability for applications assistance or customer product design. Customers are responsible for their products and applications using TI components. To minimize the risks associated with customer products and applications, customers should provide adequate design and operating safeguards.

TI does not warrant or represent that any license, either express or implied, is granted under any TI patent right, copyright, mask work right, or other TI intellectual property right relating to any combination, machine, or process in which TI products or services are used. Information published by TI regarding third-party products or services does not constitute a license from TI to use such products or services or a warranty or endorsement thereof. Use of such information may require a license from a third party under the patents or other intellectual property of the third party, or a license from TI under the patents or other intellectual property of TI.

Reproduction of information in TI data books or data sheets is permissible only if reproduction is without alteration and is accompanied by all associated warranties, conditions, limitations, and notices. Reproduction of this information with alteration is an unfair and deceptive business practice. TI is not responsible or liable for such altered documentation.

Resale of TI products or services with statements different from or beyond the parameters stated by TI for that product or service voids all express and any implied warranties for the associated TI product or service and is an unfair and deceptive business practice. TI is not responsible or liable for any such statements.

Following are URLs where you can obtain information on other Texas Instruments products and application solutions:

Products		Applications	
Amplifiers	amplifier.ti.com	Audio	www.ti.com/audio
Data Converters	dataconverter.ti.com	Automotive	www.ti.com/automotive
DSP	dsp.ti.com	Broadband	www.ti.com/broadband
Interface	interface.ti.com	Digital Control	www.ti.com/digitalcontrol
Logic	logic.ti.com	Military	www.ti.com/military
Power Mgmt	power.ti.com	Optical Networking	www.ti.com/opticalnetwork
Microcontrollers	microcontroller.ti.com	Security	www.ti.com/security
		Telephony	www.ti.com/telephony
		Video & Imaging	www.ti.com/video
		Wireless	www.ti.com/wireless

Mailing Address: Texas Instruments
Post Office Box 655303 Dallas, Texas 75265