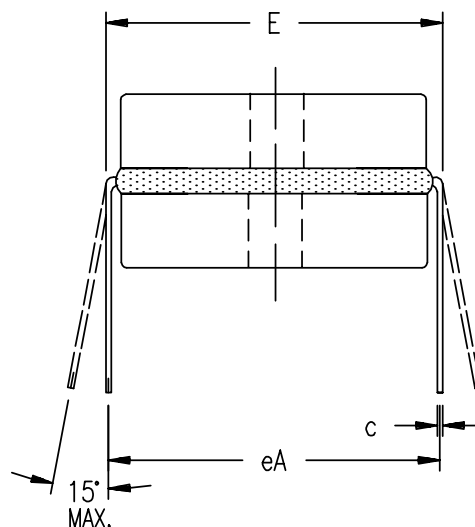
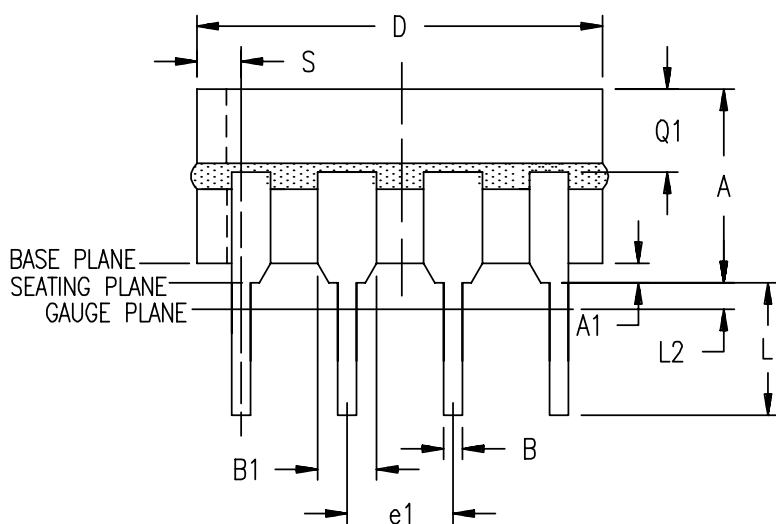
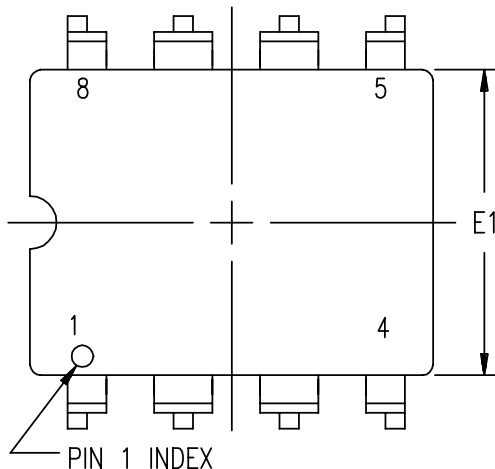


Ceramic DIP Package - DD8



SYMBOL	INCHES	
	MIN.	MAX.
A	0.150	0.170
A ₁	0.020	0.050
B	0.015	0.020
B ₁	0.050	0.060
c	0.009	0.012
D	0.375	0.405
E	0.300	0.320
E ₁	0.280	0.300
e ₁	0.100 BSC	
e _A	0.300 BSC	
L	0.125	0.150
L ₂	0	0.030
Q ₁	0.040	0.075

NOTES:

1. ALL DIMENSIONS AND TOLERANCES CONFORM TO ANSI Y14.5M-1982.
2. LEAD FINISH: SOLDER DIPPED
3. CONFORMS TO JEDEC MO-001-AN EXCEPT BODY WIDTH.

8-PIN CERAMIC DIP (DD8)