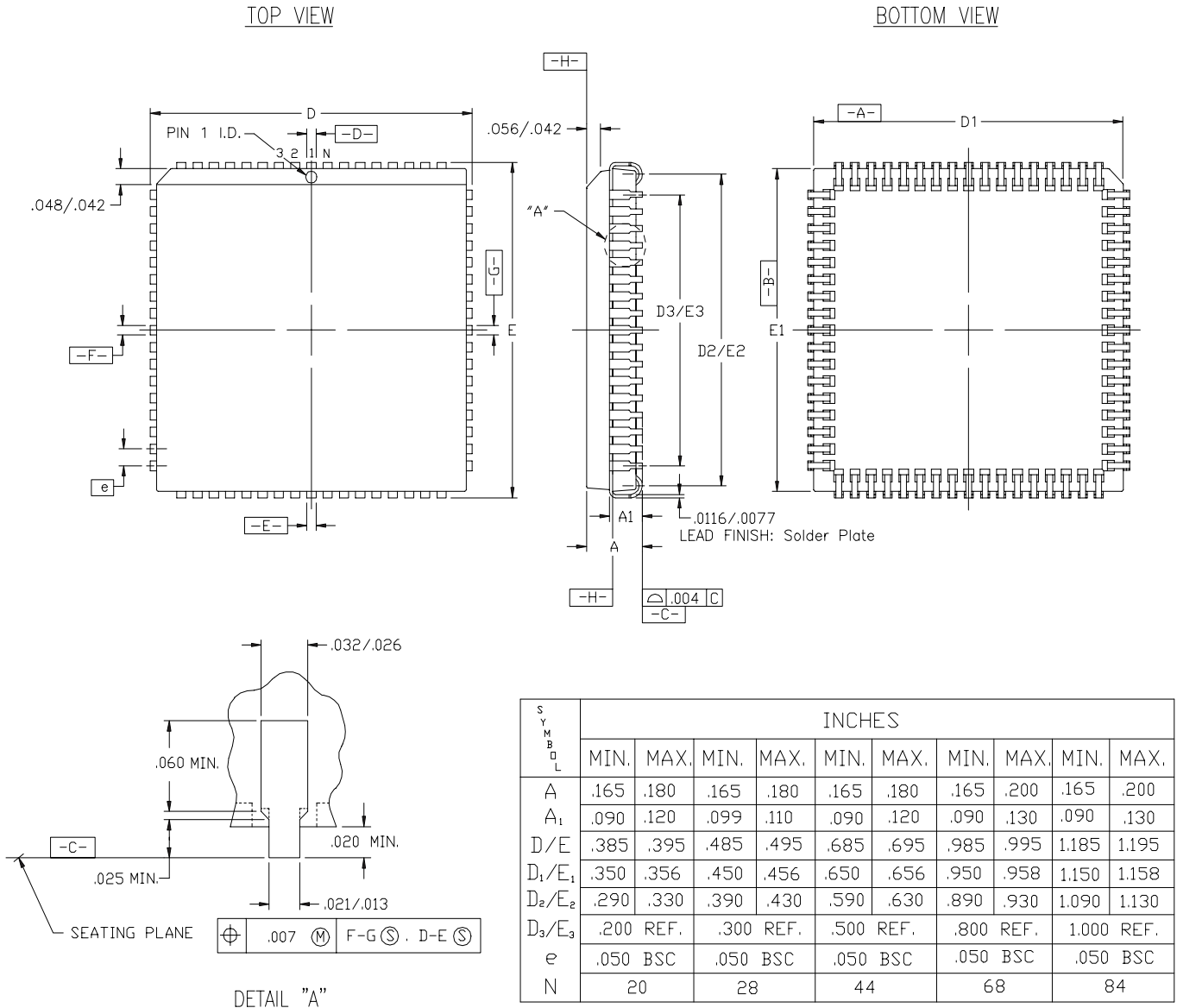


PLCC Packages - PC20, PC28, PC44, PC68, PC84



NOTES:

1. ALL DIMENSIONS AND TOLERANCES CONFORM TO ANSI Y14.5M-1982.
2. DIMENSIONS 'D1' AND 'E1' DO NOT INCLUDE MOLD FLASH OR PROTRUSIONS. MOLD FLASH OR PROTRUSIONS SHALL NOT EXCEED .010 PER SIDE.
3. 'N' IS NUMBER OF TERMINALS.
4. CONFORM TO JEDEC MO-047
5. TOP OF PACKAGE MAY BE SMALLER THAN BOTTOM BY .010".

20, 28, 44, 68 and 84-PIN PLCC (PC20 THRU PC84)