

## Features

- In-system programmable 3.3V PROMs for configuration of Xilinx FPGAs
  - Endurance of 20,000 program/erase cycles
  - Program/erase over full commercial/industrial voltage and temperature range
- IEEE Std 1149.1 boundary-scan (JTAG) support
- Simple interface to the FPGA; could be configured to use only one user I/O pin
- Cascadable for storing longer or multiple bitstreams
- Dual configuration modes
  - Serial Slow/Fast configuration (up to 33 MHz)
  - Parallel (up to 264 Mbps at 33 MHz)
- Low-power advanced CMOS FLASH process
- 5V tolerant I/O pins accept 5V, 3.3V and 2.5V signals.
- 3.3V or 2.5V output capability
- Available in PC20, SO20, PC44 and VQ44 packages.
- Design support using the Xilinx Alliance and Foundation series software packages.
- JTAG command initiation of standard FPGA configuration.

## Description

Xilinx introduces the XC18V00 series of in-system programmable configuration PROMs. Initial devices in this 3.3V family are a 4-megabit, a 2-megabit, a 1-megabit, a 512-Kbit, and a 256-Kbit PROM that provide an easy-to-use, cost-effective method for re-programming and storing large Xilinx FPGA or CPLD configuration bitstreams.

When the FPGA is in Master Serial mode, it generates a configuration clock that drives the PROM. A short access time after the rising CCLK, data is available on the PROM DATA (D0) pin that is connected to the FPGA D<sub>IN</sub> pin. The FPGA generates the appropriate number of clock pulses to complete the configuration. When the FPGA is in Slave Serial mode, the PROM and the FPGA are clocked by an external clock.

When the FPGA is in Express or SelectMAP Mode, an external oscillator will generate the configuration clock that drives the PROM and the FPGA. After the rising CCLK edge, data are available on the PROMs DATA (D0-D7) pins. The data will be clocked into the FPGA on the following rising edge of the CCLK. Neither Express nor SelectMAP utilize a Length Count, so a free-running oscillator may be used. See [Figure 6](#).

Multiple devices can be concatenated by using the  $\overline{CEO}$  output to drive the  $\overline{CE}$  input of the following device. The clock inputs and the DATA outputs of all PROMs in this chain are interconnected. All devices are compatible and can be cascaded with other members of the family or with the XC1700L one-time programmable Serial PROM family.

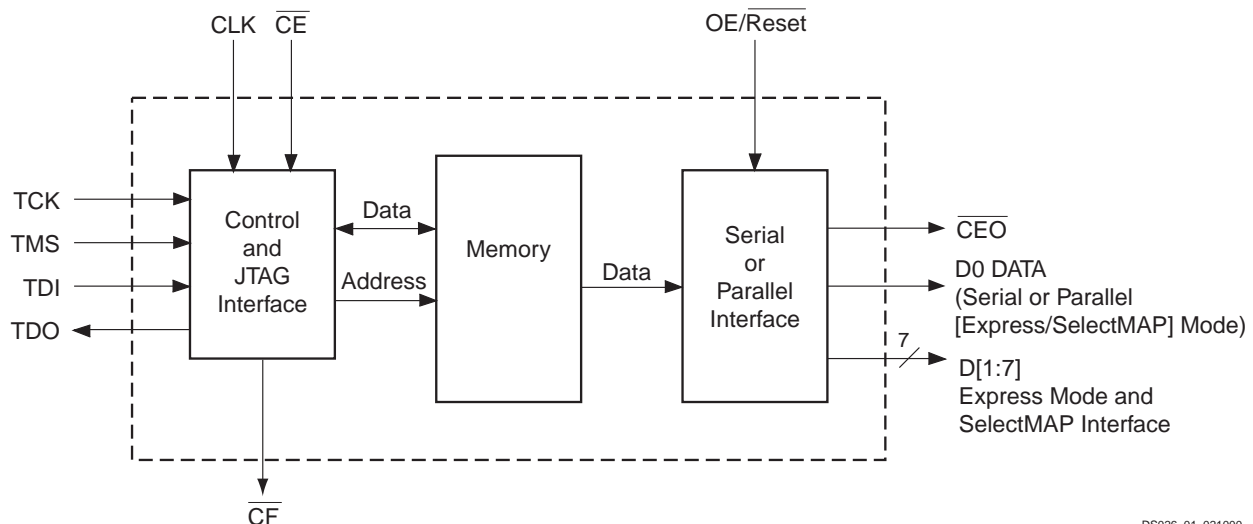


Figure 1: XC18V00 Series Block Diagram

DS026\_01\_021000

## Pinout and Pin Description

Table 1: Pin Names and Descriptions (pins not listed are “no connect”)

Pin Name	Boundary Scan Order	Function	Pin Description	44-pin VQFP	44-pin PLCC	20-pin SOIC and PLCC	
D0	4	DATA OUT	D0 is the DATA output pin to provide data for configuring an FPGA in serial mode.	40	2	1	
	3	OUTPUT ENABLE					
D1	6	DATA OUT	D0-D7 are the output pins to provide parallel data for configuring a Xilinx FPGA in Express/SelectMap mode.	29	35	16	
	5	OUTPUT ENABLE					
D2	2	DATA OUT		42	4	2	
	1	OUTPUT ENABLE					
D3	8	DATA OUT		27	33	15	
	7	OUTPUT ENABLE					
D4	24	DATA OUT		9	15	7 <sup>(1)</sup>	
	23	OUTPUT ENABLE					
D5	10	DATA OUT		25	31	14	
	9	OUTPUT ENABLE					
D6	17	DATA OUT		14	20	9	
	16	OUTPUT ENABLE					
D7	14	DATA OUT		19	25	12	
	13	OUTPUT ENABLE					
CLK	0	DATA IN		Each rising edge on the CLK input increments the internal address counter if both $\overline{CE}$ is Low and OE/RESET is High.	43	5	3
$\overline{OE/RESET}$	20	DATA IN		When Low, this input holds the address counter reset and the DATA output is in a high-impedance state. This is a bidirectional open-drain pin that is held Low while the PROM is reset. Polarity is NOT programmable.	13	19	8
	19	DATA OUT					
	18	OUTPUT ENABLE					
$\overline{CE}$	15	DATA IN	When $\overline{CE}$ is High, this pin puts the device into standby mode and resets the address counter. The DATA output pin is in a high-impedance state, and the device is in low power standby mode.	15	21	10	

**Table 1: Pin Names and Descriptions (pins not listed are “no connect”) (Continued)**

Pin Name	Boundary Scan Order	Function	Pin Description	44-pin VQFP	44-pin PLCC	20-pin SOIC and PLCC
CF	22	DATA OUT	Allows JTAG CONFIG instruction to initiate FPGA configuration without powering down FPGA. This is an open-drain output that is pulsed Low by the JTAG CONFIG command.	10	16	7 <sup>(1)</sup>
	21	OUTPUT ENABLE				
CEO	13	DATA OUT	Chip Enable Output ( $\overline{CEO}$ ) is connected to the $\overline{CE}$ input of the next PROM in the chain. This output is Low when $\overline{CE}$ is Low and $OE/\overline{RESET}$ input is High, AND the internal address counter has been incremented beyond its Terminal Count (TC) value. When $OE/\overline{RESET}$ goes Low, $\overline{CEO}$ stays High until the PROM is brought out of reset by bringing $OE/\overline{RESET}$ High.	21	27	13
	14	OUTPUT ENABLE				
GND			GND is the ground connection.	6, 18, 28 & 41	3, 12, 24 & 34	11
TMS		MODE SELECT	The state of TMS on the rising edge of TCK determines the state transitions at the Test Access Port (TAP) controller. TMS has an internal 50K ohm resistive pull-up on it to provide a logic "1" to the device if the pin is not driven.	5	11	5
TCK		CLOCK	This pin is the JTAG test clock. It sequences the TAP controller and all the JTAG test and programming electronics.	7	13	6
TDI		DATA IN	This pin is the serial input to all JTAG instruction and data registers. TDI has an internal 50K ohm resistive pull-up on it to provide a logic "1" to the system if the pin is not driven.	3	9	4
TDO		DATA OUT	This pin is the serial output for all JTAG instruction and data registers. TDO has an internal 50K ohm resistive pull-up on it to provide a logic "1" to the system if the pin is not driven.	31	37	17
V <sub>CC</sub>			Positive 3.3V supply voltage for internal logic and input buffers.	17, 35 & 38	23, 41 & 44	18 & 20
V <sub>CCO</sub>			Positive 3.3V or 2.5V supply voltage connected to the output voltage drivers.	8, 16, 26 & 36	14, 22, 32 & 42	19

**Notes:**

- Pin 7 is  $\overline{CF}$  in Serial Mode, D4 in Express Mode for 20-pin packages.

## Xilinx FPGAs and Compatible PROMs

Device	Configuration Bits	PROM
XCV50	559,200	XC18V01
XCV100	781,216	XC18V01
XCV150	1,040,096	XC18V01
XCV200	1,335,840	XC18V02
XCV300	1,751,808	XC18V02
XCV400	2,546,048	XC18V04
XCV600	3,607,968	XC18V04
XCV800	4,715,616	XC18V04 + XC18V512
XCV1000	6,127,744	XC18V04 + XC18V02
XCV50E	630,048	XC18V01
XCV100E	863,840	XC18V01
XCV200E	1,442,106	XC18V02
XCV300E	1,875,648	XC18V02
XCV400E	2,693,440	XC18V04
XCV405E	3,340,400	XC18V04
XCV600E	3,961,632	XC18V04
XCV812E	6,519,648	2 of XC18V04
XCV1000E	6,587,520	2 of XC18V04
XCV1600E	8,308,992	2 of XC18V04
XCV2000E	10,159,648	3 of XC18V04
XCV2600E	12,922,336	4 of XC18V04
XCV3200E	16,283,712	4 of XC18V04

## Capacity

Devices	Configuration Bits
XC18V04	4,194,304
XC18V02	2,097,152
XC18V01	1,048,576
XC18V512	524,288
XC18V256	262,144

## In-System Programming

In-System Programmable PROMs can be programmed individually, or two or more can be daisy-chained together and programmed in-system via the standard 4-pin JTAG protocol as shown in [Figure 2](#). In-system programming offers quick and efficient design iterations and eliminates unnecessary package handling or socketing of devices. The Xilinx development system provides the programming data sequence using either Xilinx JTAG Programmer software and a download cable, a third-party JTAG development system, a JTAG-compatible board tester, or a simple microprocessor interface that emulates the JTAG instruction sequence. The JTAG Programmer software also outputs serial vector format (SVF) files for use with any tools that accept SVF format and with automatic test equipment.

All outputs are held in a high-impedance state or held at clamp levels during in-system programming.

### OE/RESET

The ISP programming algorithm requires issuance of a reset that will cause OE to go Low.

## External Programming

Xilinx reprogrammable PROMs can also be programmed by the Xilinx HW-130 device programmer. This provides the added flexibility of using pre-programmed devices in board design and boundary-scan manufacturing tools, with an in-system programmable option for future enhancements and design changes.

## Reliability and Endurance

Xilinx in-system programmable products provide a guaranteed endurance level of 10,000 in-system program/erase cycles and a minimum data retention of ten years. Each device meets all functional, performance, and data retention specifications within this endurance limit.

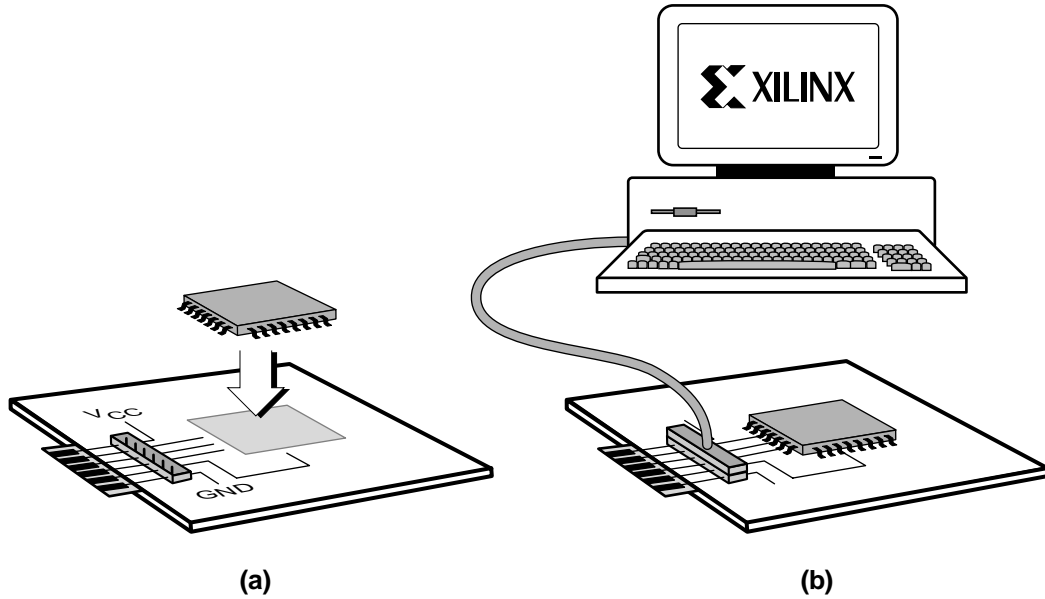
## Design Security

The Xilinx in-system programmable PROM devices incorporate advanced data security features to fully protect the programming data against unauthorized reading. [Table 2](#) shows the security setting available.

The read security bit can be set by the user to prevent the internal programming pattern from being read or copied via JTAG. When set, it allows device erase. Erasing the entire device is the only way to reset the read security bit.

*Table 2: Data Security Options*

Default = Reset	Set
Read Allowed Program/Erase Allowed	Read Inhibited via JTAG Erase Allowed



DS026\_02\_011100

Figure 2: In-System Programming Operation (a) Solder Device to PCB and (b) Program Using Download Cable

### IEEE 1149.1 Boundary-Scan (JTAG)

The XC18V00 family is fully compliant with the IEEE Std. 1149.1 Boundary-Scan, also known as JTAG. A Test Access Port (TAP) and registers are provided to support all required boundary scan instructions, as well as many of the optional instructions specified by IEEE Std. 1149.1. In addition, the JTAG interface is used to implement in-system programming (ISP) to facilitate configuration, erasure, and verification operations on the XC18V00 device.

Table 3 lists the required and optional boundary-scan instructions supported in the XC18V00. Refer to the IEEE Std. 1149.1 specification for a complete description of boundary-scan architecture and the required and optional instructions.

Table 3: Boundary Scan Instructions

Boundary-Scan Command	Binary Code [7:0]	Description
<b>Required Instructions</b>		
BYPASS	11111111	Enables BYPASS
SAMPLE/PRELOAD	00000001	Enables boundary-scan SAMPLE/PRELOAD operation
EXTEST	00000000	Enables boundary-scan EXTEST operation
<b>Optional Instructions</b>		
CLAMP	11111010	Enables boundary-scan CLAMP operation

Table 3: Boundary Scan Instructions

Boundary-Scan Command	Binary Code [7:0]	Description
HIGHZ	11111100	all outputs in high-impedance state simultaneously
IDCODE	11111110	Enables shifting out 32-bit IDCODE
USERCODE	11111101	Enables shifting out 32-bit USERCODE
<b>XC18V00 Specific Instructions</b>		
CONFIG	11101110	Initiates FPGA configuration by pulsing CF pin Low

### Instruction Register

The Instruction Register (IR) for the XC18V00 is eight bits wide and is connected between TDI and TDO during an instruction scan sequence. In preparation for an instruction scan sequence, the instruction register is parallel loaded with a fixed instruction capture pattern. This pattern is shifted out onto TDO (LSB first), while an instruction is shifted into the instruction register from TDI. The detailed composition of the instruction capture pattern is illustrated in Figure 3.

The ISP Status field, IR(4), contains logic "1" if the device is currently in ISP mode; otherwise, it will contain logic "0". The Security field, IR(3), will contain logic "1" if the device

has been programmed with the security option turned on; otherwise, it will contain logic "0".

	<b>IR[7:5]</b>	<b>IR[4]</b>	<b>IR[3]</b>	<b>IR[2]</b>	<b>IR[1:0]</b>	
TDI->	0 0 0	ISP Status	Security	0	0 1	->TD O

**Notes:**

1. IR(1:0) = 01 is specified by IEEE Std. 1149.1

**Figure 3: Instruction Register Values Loaded into IR as Part of an Instruction Scan Sequence**

### Boundary Scan Register

The boundary-scan register is used to control and observe the state of the device pins during the EXTEST, SAMPLE/PRELOAD, and CLAMP instructions. Each output pin on the XC18V00 has two register stages that contribute to the boundary-scan register, while each input pin only has one register stage.

For each output pin, the register stage nearest to TDI controls and observes the output state, and the second stage closest to TDO controls and observes the High-Z enable state of the pin.

For each input pin, the register stage controls and observes the input state of the pin.

### Identification Registers

The IDCODE is a fixed, vendor-assigned value that is used to electrically identify the manufacturer and type of the device being addressed. The IDCODE register is 32 bits wide. The IDCODE register can be shifted out for examination by using the IDCODE instruction. The IDCODE is available to any other system component via JTAG.

The IDCODE register has the following binary format:

v v v v : f f f f : f f f f : a a a a : a a a a : c c c c : c c c c : c c c 1

where

v = the die version number

f = the family code (50h for XC18V00 family)

a = the ISP PROM product ID (06h for the XC18V04)

c = the company code (49h for Xilinx)

Note: The LSB of the IDCODE register is always read as logic "1" as defined by IEEE Std. 1149.1

Table 4 lists the IDCODE register values for the XC18V00 devices.

**Table 4: IDCODES Assigned to XC18V00 Devices**

ISP-PROM	IDCODE
XC18V01	05024093h
XC18V02	05025093h
XC18V04	05026093h
XC18V256	05022093h
XC18V512	05023093h

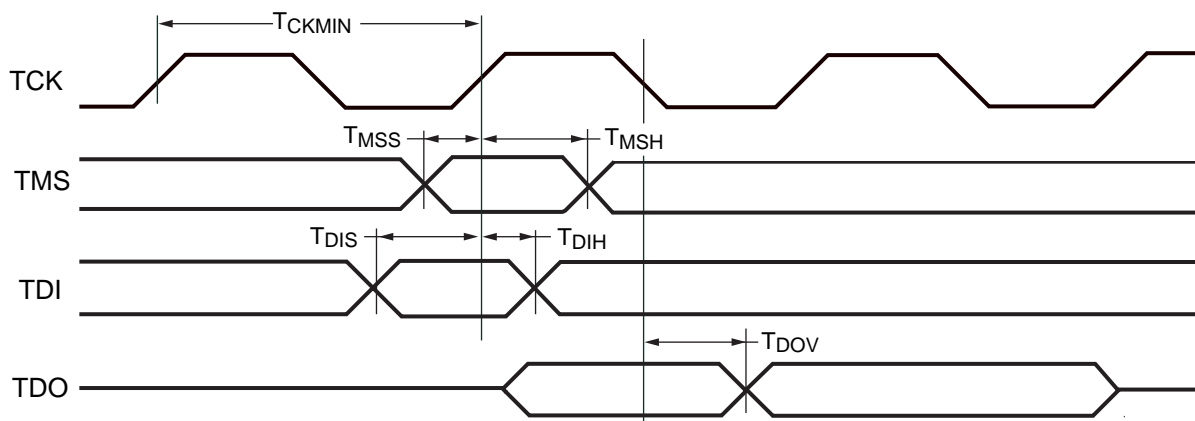
The USERCODE instruction gives access to a 32-bit user programmable scratch pad typically used to supply information about the device's programmed contents. By using the USERCODE instruction, a user-programmable identification code can be shifted out for examination. This code is loaded into the USERCODE register during programming of the XC18V00 device. If the device is blank or was not loaded during programming, the USERCODE register will contain FFFFFFFFh.

### XC18V00 TAP Characteristics

The XC18V00 family performs both in-system programming and IEEE 1149.1 boundary-scan (JTAG) testing via a single 4-wire Test Access Port (TAP). This simplifies system designs and allows standard Automatic Test Equipment to perform both functions. The AC characteristics of the XC18V00 TAP are described as follows.

### TAP Timing

Figure 4 shows the timing relationships of the TAP signals. These TAP timing characteristics are identical for both boundary-scan and ISP operations.



DS026\_04\_020300

Figure 4: Test Access Port Timing

### TAP AC Parameters

Table 5 shows the timing parameters for the TAP waveforms shown in Figure 4

Table 5: Test Access Port Timing Parameters

Symbol	Parameter	Min	Max	Units
$T_{CKMIN1}$	TCK minimum clock period	100	-	ns
$T_{CKMIN2}$	TCK minimum clock period, Bypass Mode	50	-	ns
$T_{MSS}$	TMS setup time	10	-	ns
$T_{MSH}$	TMS hold time	25	-	ns
$T_{DIS}$	TDI setup time	10	-	ns
$T_{DIH}$	TDI hold time	25	-	ns
$T_{DOV}$	TDO valid delay	-	25	ns

## Connecting Configuration PROMs

Connecting the FPGA device with the configuration PROM (see [Figure 6](#)).

- The DATA output(s) of the PROM(s) drives the  $D_{IN}$  input of the lead FPGA device.
- The Master FPGA CCLK output drives the CLK input(s) of the PROM(s) (in Master Serial mode only).
- The  $\overline{CEO}$  output of a PROM drives the  $\overline{CE}$  input of the next PROM in a daisy chain (if any).
- The  $\overline{OE}/\overline{RESET}$  input of all PROMs is best driven by the  $\overline{INIT}$  output of the lead FPGA device. This connection assures that the PROM address counter is reset before the start of any (re)configuration, even when a reconfiguration is initiated by a  $V_{CC}$  glitch.
- The PROM  $\overline{CE}$  input can be driven from the DONE pin. The  $\overline{CE}$  input of the first (or only) PROM can be driven by the DONE output of the first FPGA device, provided that DONE is not permanently grounded.  $\overline{CE}$  can also be permanently tied Low, but this keeps the DATA output active and causes an unnecessary supply current of 10 mA maximum.
- Express/SelectMap mode is similar to slave serial mode. The DATA is clocked out of the PROM one byte per CCLK instead of one bit per CCLK cycle. See FPGA data sheets for special configuration requirements.

## Initiating FPGA Configuration

The XC18V00 devices incorporate a pin named  $\overline{CF}$  that is controllable through the JTAG CONFIG instruction. Executing the CONFIG instruction through JTAG pulses the  $\overline{CF}$  low for 300-500 ns, which resets the FPGA and initiates configuration.

The  $\overline{CF}$  pin must be connected to the  $\overline{PROGRAM}$  pin on the FPGA(s) to use this feature.

The JTAG Programmer software can also issue a JTAG CONFIG command to initiate FPGA configuration through the "Load FPGA" setting.

## Selecting Configuration Modes

The XC18V00 accommodates serial and parallel methods of configuration. The configuration modes are selectable through a user control register in the XC18V00 device. This control register is accessible through JTAG, and is set using

the "Parallel mode" setting on the Xilinx JTAG Programmer software. Serial output is the default programming mode.

## Master Serial Mode Summary

The I/O and logic functions of the Configurable Logic Block (CLB) and their associated interconnections are established by a configuration program. The program is loaded either automatically upon power up, or on command, depending on the state of the three FPGA mode pins. In Master Serial mode, the FPGA automatically loads the configuration program from an external memory. Xilinx PROMs are designed to accommodate the Master Serial mode.

Upon power-up or reconfiguration, an FPGA enters the Master Serial mode whenever all three of the FPGA mode-select pins are Low ( $M0=0$ ,  $M1=0$ ,  $M2=0$ ). Data is read from the PROM sequentially on a single data line. Synchronization is provided by the rising edge of the temporary signal CCLK, which is generated by the FPGA during configuration.

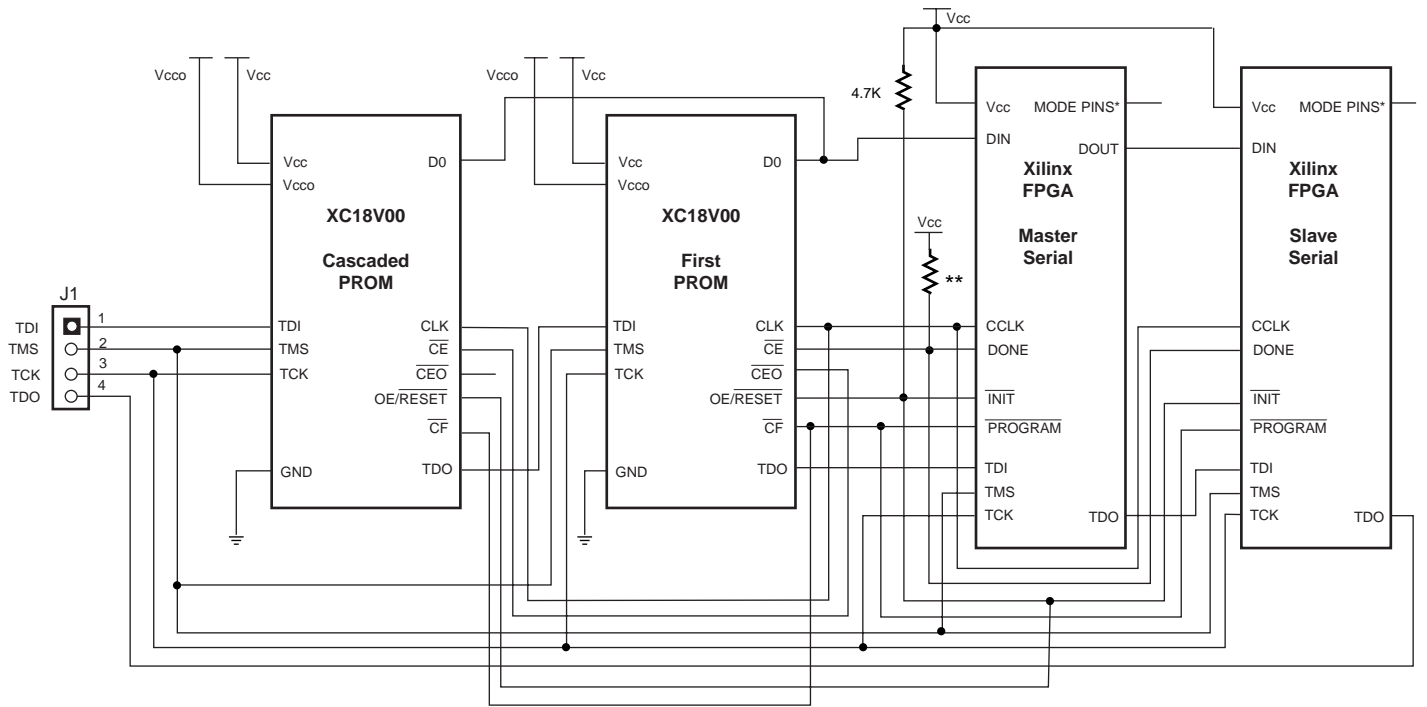
Master Serial Mode provides a simple configuration interface. Only a serial data line, a clock line, and two control lines are required to configure an FPGA. Data from the PROM is read sequentially, accessed via the internal address and bit counters which are incremented on every valid rising edge of CCLK. If the user-programmable, dual-function  $D_{IN}$  pin on the FPGA is used only for configuration, it must still be held at a defined level during normal operation. The Xilinx FPGA families take care of this automatically with an on-chip pull-up resistor.

## Cascading Configuration PROMs

For multiple FPGAs configured as a serial daisy-chain, or a single FPGA requiring larger configuration memories in a serial or SelectMAP configuration mode, cascaded PROMs provide additional memory ([Figure 5](#)). Multiple XC18V00 devices can be concatenated by using the  $\overline{CEO}$  output to drive the  $\overline{CE}$  input of the downstream device. The clock inputs and the data outputs of all XC18V00 devices in the chain are interconnected. After the last bit from the first PROM is read, the next clock signal to the PROM asserts its  $\overline{CEO}$  output Low and drives its DATA line to a high-impedance state. The second PROM recognizes the Low level on its  $\overline{CE}$  input and enables its DATA output. See [Figure 6](#).

After configuration is complete, the address counters of all cascaded PROMs are reset if the PROM  $\overline{OE}/\overline{RESET}$  pin goes Low.

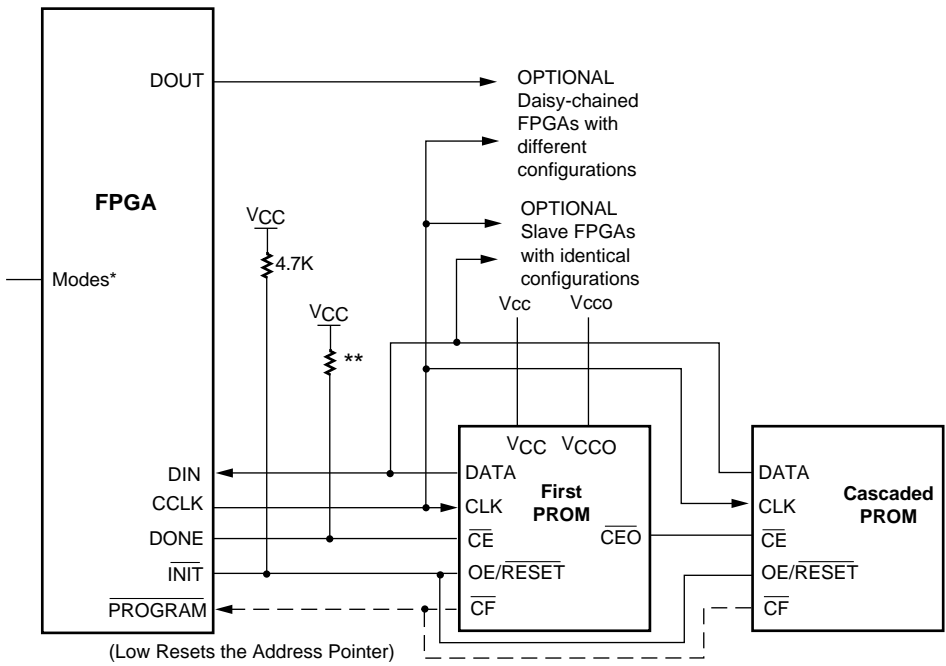




\* For Mode pin connections, refer to appropriate FPGA data sheet.  
 \*\* Virtex, Virtex-E is 300 ohms, all others are 4.7K.

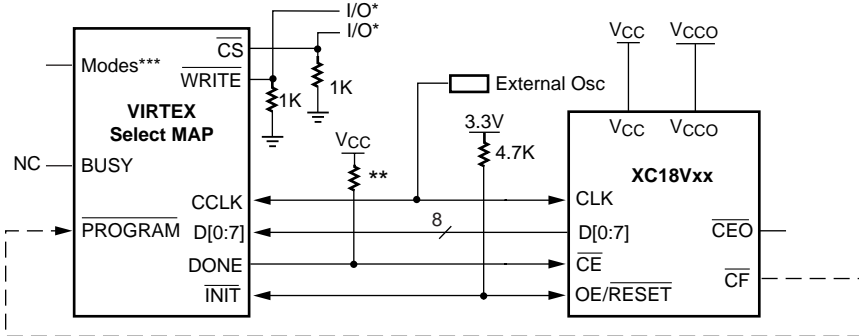
DS026\_08\_021000

Figure 5: JTAG Chain for Configuring Devices in Master Serial Mode



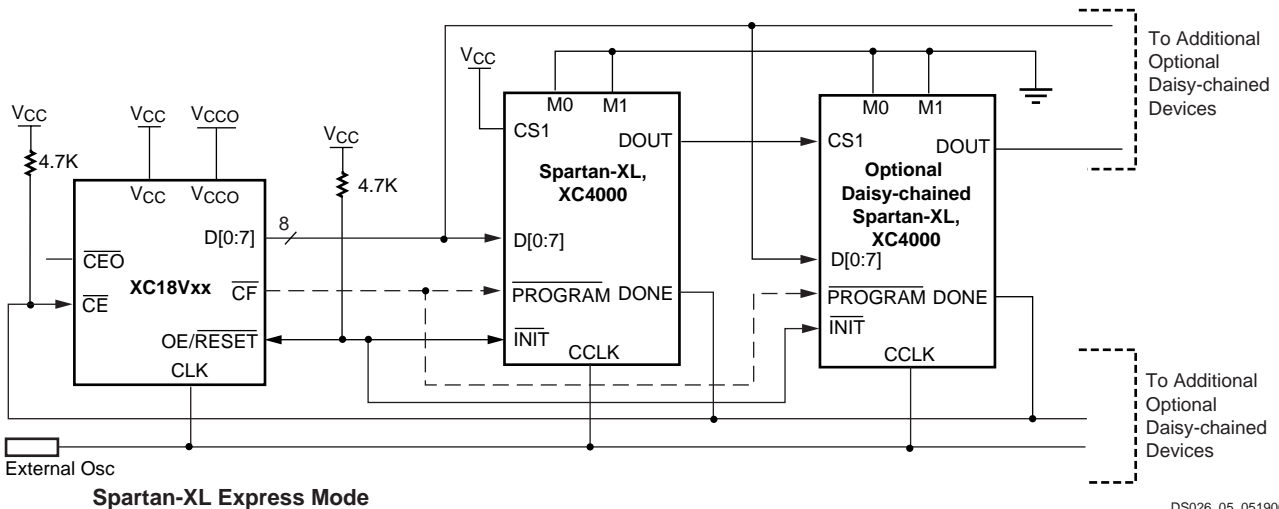
(Low Resets the Address Pointer)  
 \*For Mode pin connections, refer to the appropriate FPGA data sheet.  
 \*\*Virtex, Virtex-E is 300 ohms, all others are 4.7K.

**Master Serial Mode**



\*CS and WRITE must be pulled down to be used as I/O. One option is shown.  
 \*\*Virtex, Virtex-E is 300 ohms, all others are 4.7K.  
 \*\*\*For Mode pin connections, refer to the appropriate FPGA data sheet.

**Virtex Select MAP Mode**



**Spartan-XL Express Mode**

DS026\_05\_051900

Figure 6: (a) Master Serial Mode (b) Virtex Select MAP Mode (c) Spartan-XL Express Mode (dotted lines indicates optional connection)

## 5V Tolerant I/Os

The I/Os on each re-programmable PROM are fully 5V tolerant even through the core power supply is 3.3V. This allows 5V CMOS signals to connect directly to the PROM inputs without damage. In addition, the 3.3V  $V_{CC}$  power supply can be applied before or after 5V signals are applied to the I/Os. In mixed 5V/3.3V/2.5V systems, the user pins, the core power supply ( $V_{CC}$ ), and the output power supply ( $V_{CCO}$ ) may have power applied in any order. This makes the PROM devices immune to power supply sequencing issues.

## Reset Activation

On power up,  $\overline{OE/RESET}$  is held low until the XC18V00 is active (1 ms) and able to supply data after receiving a CCLK pulse from the FPGA.  $\overline{OE/RESET}$  is connected to an external resistor to pull  $\overline{OE/RESET}$  HIGH releasing the FPGA

$\overline{INIT}$  and allowing configuration to begin.  $\overline{OE/RESET}$  is held low until the XC18V00 voltage reaches the operating voltage range. If the power drops below 2.0V, the PROM will reset.  $\overline{OE/RESET}$  polarity is NOT programmable.

## Standby Mode

The PROM enters a low-power standby mode whenever  $\overline{CE}$  is asserted High. The output remains in a high-impedance state regardless of the state of the OE input. JTAG pins TMS, TDI and TDO can be in a high-impedance state or High.

## Customer Control Pins

The XC18V00 PROMs have various control bits accessible by the customer. These can be set after the array has been programmed using "Skip User Array" in Xilinx JTAG Programmer Software.

Table 6: Truth Table for PROM Control Inputs

Control Inputs		Internal Address	Outputs		
OE/RESET	CE		DATA	CEO	I <sub>CC</sub>
High	Low	If address $\leq$ TC <sup>(1)</sup> : increment If address $>$ TC <sup>(1)</sup> : don't change	Active High-Z	High Low	Active Reduced
Low	Low	Held reset	High-Z	High	Active
High	High	Held reset	High-Z	High	Standby
Low	High	Held reset	High-Z	High	Standby

### Notes:

1. TC = Terminal Count = highest address value. TC + 1 = address 0.

## Absolute Maximum Ratings<sup>(1,2)</sup>

Symbol	Description	Value	Units
$V_{CC}$	Supply voltage relative to GND	-0.5 to +4.0	V
$V_{IN}$	Input voltage with respect to GND	-0.5 to +5.5	V
$V_{TS}$	Voltage applied to High-Z output	-0.5 to +5.5	V
$T_{STG}$	Storage temperature (ambient)	-65 to +150	°C
$T_{SOL}$	Maximum soldering temperature (10s @ 1/16 in.)	+260	°C
$T_J$	Junction temperature	+150	°C

### Notes:

- Maximum DC undershoot below GND must be limited to either 0.5V or 10 mA, whichever is easier to achieve. During transitions, the device pins may undershoot to -2.0V or overshoot to +7.0V, provided this over- or undershoot lasts less than 10 ns and with the forcing current being limited to 200 mA.
- Stresses beyond those listed under Absolute Maximum Ratings may cause permanent damage to the device. These are stress ratings only, and functional operation of the device at these or any other conditions beyond those listed under Operating Conditions is not implied. Exposure to Absolute Maximum Ratings conditions for extended periods of time may affect device reliability.

## Recommended Operating Conditions

Symbol	Parameter	Min	Max	Units	
$V_{CCINT}$	Internal voltage supply ( $T_A = 0^\circ\text{C}$ to $+70^\circ\text{C}$ )	Commercial	3.0	3.6	V
	Internal voltage supply ( $T_A = -40^\circ\text{C}$ to $+85^\circ\text{C}$ )	Industrial	3.0	3.6	V
$V_{CCO}$	Supply voltage for output drivers for 3.3V operation	3.0	3.6	V	
	Supply voltage for output drivers for 2.5V operation	2.3	2.7	V	
$V_{IL}$	Low-level input voltage	0	0.8	V	
$V_{IH}$	High-level input voltage	2.0	5.5	V	
$V_O$	Output voltage	0	$V_{CCO}$	V	

## Quality and Reliability Characteristics

Symbol	Description	Min	Max	Units
$T_{DR}$	Data retention	20	-	Years
$N_{PE}$	Program/erase cycles (Endurance)	20,000	-	Cycles
$V_{ESD}$	Electrostatic discharge (ESD)	2,000	-	Volts

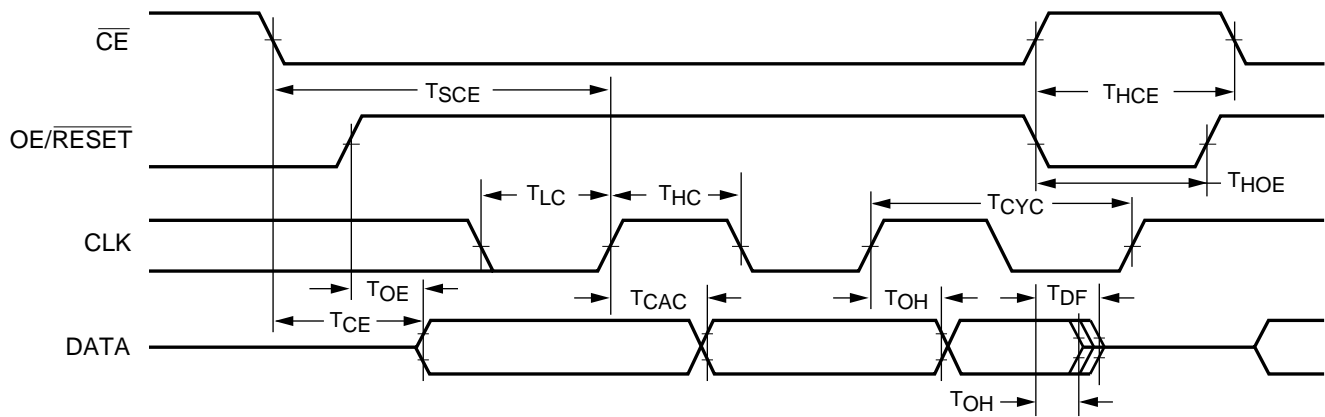
## DC Characteristics Over Operating Conditions

Symbol	Parameter	Test Conditions	Min	Max	Units
$V_{OH}$	High-level output voltage for 3.3V outputs	$I_{OH} = -4 \text{ mA}$	2.4	-	V
	High-level output voltage for 2.5V outputs	$I_{OH} = -500 \mu\text{A}$	90% $V_{CCO}$	-	V
$V_{OL}$	Low-level output voltage for 3.3V outputs	$I_{OL} = 8 \text{ mA}$	-	0.4	V
	Low-level output voltage for 2.5V outputs	$I_{OL} = 500 \mu\text{A}$	-	0.4	V
$I_{CC}$	Supply current, active mode	25 MHz	-	25	mA
$I_{CCS}$	Supply current, standby mode		-	10	mA
$I_{ILJ}$	JTAG pins TMS, TDI, and TDO	$V_{CC} = \text{MAX}$ $V_{IN} = \text{GND}$	-100	-	$\mu\text{A}$
$I_{IL}$	Input leakage current	$V_{CC} = \text{Max}$ $V_{IN} = \text{GND or } V_{CC}$	-10	10	$\mu\text{A}$
$I_{IH}$	Input and output High-Z leakage current	$V_{CC} = \text{Max}$ $V_{IN} = \text{GND or } V_{CC}$	-10	10	$\mu\text{A}$
$C_{IN}$ and $C_{OUT}$	Input and output capacitance	$V_{IN} = \text{GND}$ $f = 1.0 \text{ MHz}$	-	10	pF

**Notes:**

- 18V01/18V512/18V256 only, cascadable.
- 18V01/18V512/18V256 only, non-cascadable, no brown-out protection.

## AC Characteristics Over Operating Conditions for XC18V04 and XC18V02



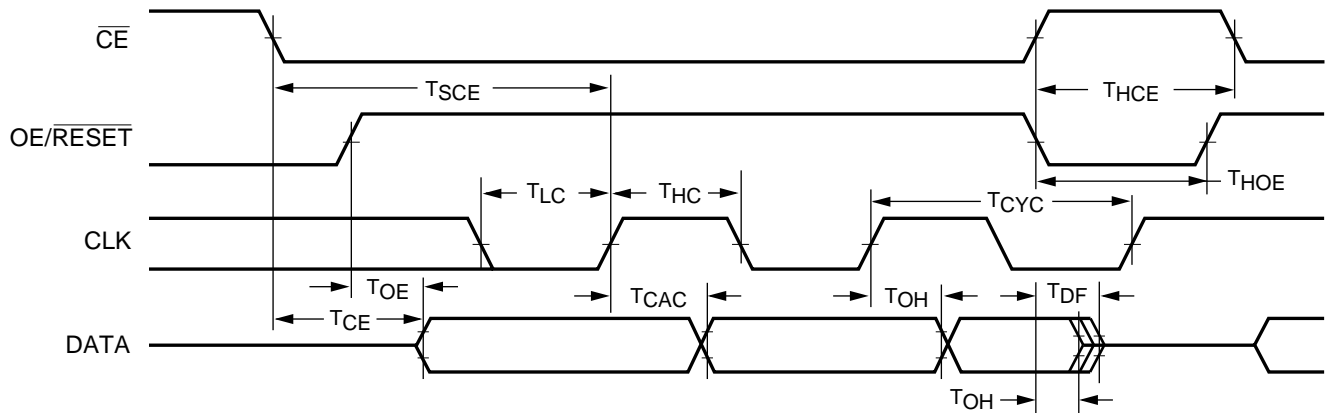
DS026\_06\_012000

Symbol	Description	Min	Max	Units
$T_{OE}$	OE/RESET to data delay	-	10	ns
$T_{CE}$	CE to data delay	-	20	ns
$T_{CAC}$	CLK to data delay	-	20	ns
$T_{OH}$	Data hold from CE, OE/RESET, or CLK	0	-	ns
$T_{DF}$	CE or OE/RESET to data float delay <sup>(2)</sup>	-	25	ns
$T_{CYC}$	Clock periods	50	-	ns
$T_{LC}$	CLK Low time <sup>(3)</sup>	10	-	ns
$T_{HC}$	CLK High time <sup>(3)</sup>	10	-	ns
$T_{SCE}$	CE setup time to CLK (to guarantee proper counting) <sup>(3)</sup>	25	-	ms
$T_{HCE}$	CE High time (to guarantee proper counting)	2	-	$\mu$ s
$T_{HOE}$	OE/RESET hold time (guarantees counters are reset)	25	-	ns

### Notes:

1. AC test load = 50 pF.
2. Float delays are measured with 5 pF AC loads. Transition is measured at  $\pm 200$  mV from steady state active levels.
3. Guaranteed by design, not tested.
4. All AC parameters are measured with  $V_{IL} = 0.0V$  and  $V_{IH} = 3.0V$ .
5. If  $T_{HCE}$  High < 2  $\mu$ s,  $T_{CE} = 2 \mu$ s.

## AC Characteristics Over Operating Conditions for XC18V01, XC18V512, and XC18V256



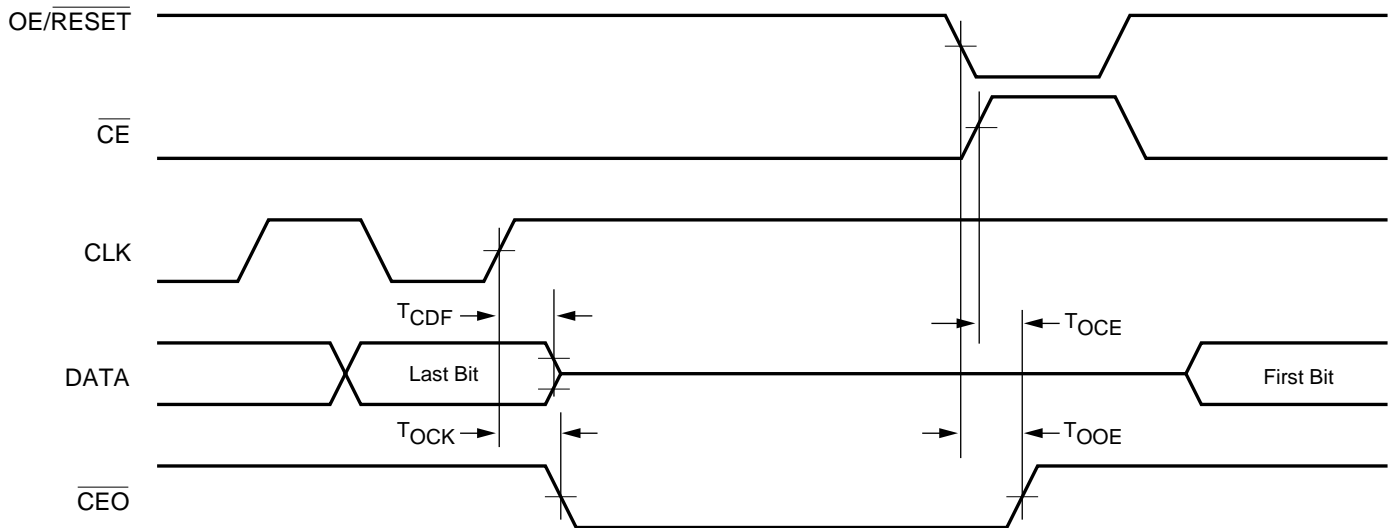
DS026\_06\_012000

Symbol	Description	Min	Max	Units
$T_{OE}$	$\overline{OE/RESET}$ to data delay	-	10	ns
$T_{CE}$	$\overline{CE}$ to data delay	-	15	ns
$T_{CAC}$	CLK to data delay	-	15	ns
$T_{OH}$	Data hold from $\overline{CE}$ , $\overline{OE/RESET}$ , or CLK	0	-	ns
$T_{DF}$	$\overline{CE}$ or $\overline{OE/RESET}$ to data float delay <sup>(2)</sup>	-	25	ns
$T_{CYC}$	Clock periods	30	-	ns
$T_{LC}$	CLK Low time <sup>(3)</sup>	10	-	ns
$T_{HC}$	CLK High time <sup>(3)</sup>	10	-	ns
$T_{SCE}$	$\overline{CE}$ setup time to CLK (to guarantee proper counting) <sup>(3)</sup>	20	-	ms
$T_{HCE}$	$\overline{CE}$ hold time to CLK (to guarantee proper counting)	2	-	ms
$T_{HOE}$	$\overline{OE/RESET}$ hold time (guarantees counters are reset)	20	-	ns

**Notes:**

- AC test load = 50 pF.
- Float delays are measured with 5 pF AC loads. Transition is measured at  $\pm 200$  mV from steady state active levels.
- Guaranteed by design, not tested.
- All AC parameters are measured with  $V_{IL} = 0.0V$  and  $V_{IH} = 3.0V$ .
- If  $T_{HCE}$  High < 2  $\mu s$ ,  $T_{CE} = 2 \mu s$ .

## AC Characteristics Over Operating Conditions When Cascading for XC18V04 and XC18V02



DS026\_07\_020300

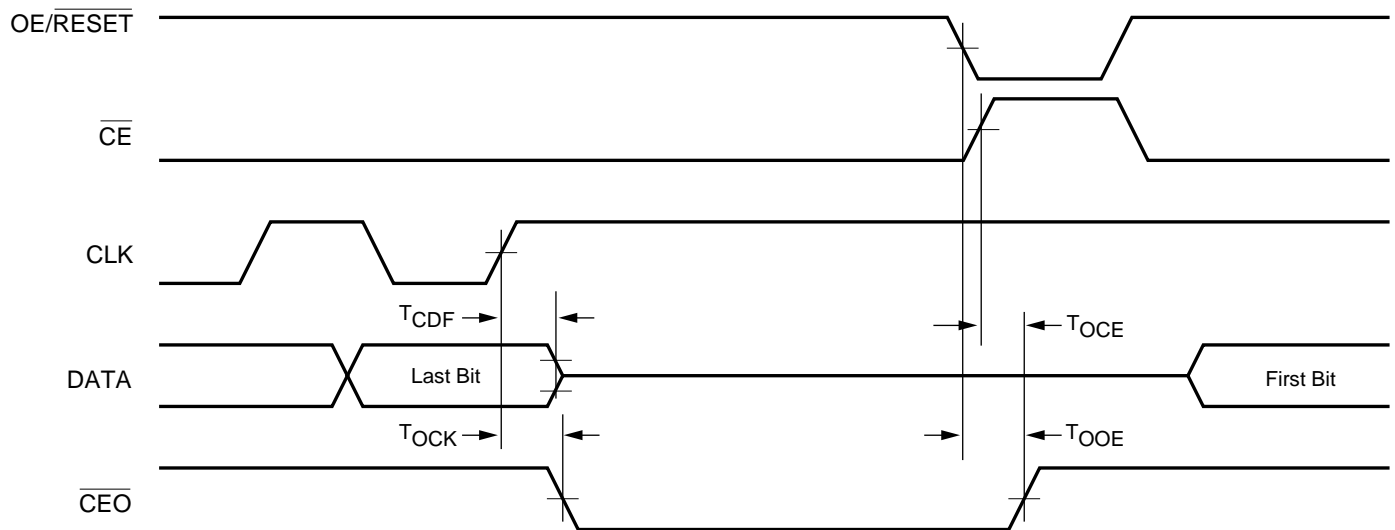
Symbol	Description	Min	Max	Units
T <sub>CDF</sub>	CLK to data float delay <sup>(2,3)</sup>	-	25	ns
T <sub>OCK</sub>	CLK to $\overline{\text{CEO}}$ delay <sup>(3)</sup>	-	20	ns
T <sub>OCE</sub>	CE to $\overline{\text{CEO}}$ delay <sup>(3)</sup>	-	20	ns
T <sub>OOE</sub>	OE/RESET to $\overline{\text{CEO}}$ delay <sup>(3)</sup>	-	20	ns

**Notes:**

1. AC test load = 50 pF.
2. Float delays are measured with 5 pF AC loads. Transition is measured at ±200 mV from steady state active levels.
3. Guaranteed by design, not tested.
4. All AC parameters are measured with V<sub>L</sub> = 0.0V and V<sub>IH</sub> = 3.0V.



## AC Characteristics Over Operating Conditions When Cascading for XC18V01, XC18V512, and XC18V256



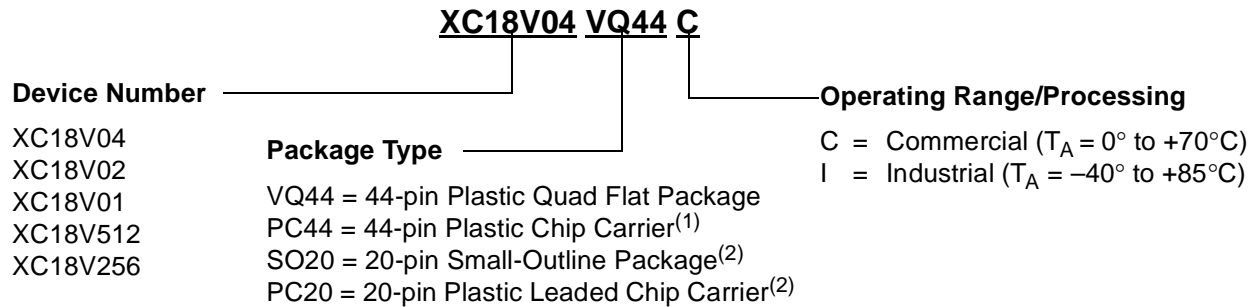
DS026\_07\_020300

Symbol	Description	Min	Max	Units
T <sub>CDF</sub>	CLK to data float delay <sup>(2,3)</sup>	-	25	ns
T <sub>OCK</sub>	CLK to CEO delay <sup>(3)</sup>	-	20	ns
T <sub>OCE</sub>	CE to CEO delay <sup>(3)</sup>	-	20	ns
T <sub>OOE</sub>	OE/RESET to CEO delay <sup>(3)</sup>	-	20	ns

**Notes:**

1. AC test load = 50 pF.
2. Float delays are measured with 5 pF AC loads. Transition is measured at ±200 mV from steady state active levels.
3. Guaranteed by design, not tested.
4. All AC parameters are measured with V<sub>L</sub> = 0.0V and V<sub>IH</sub> = 3.0V.

## Ordering Information



**Notes:**

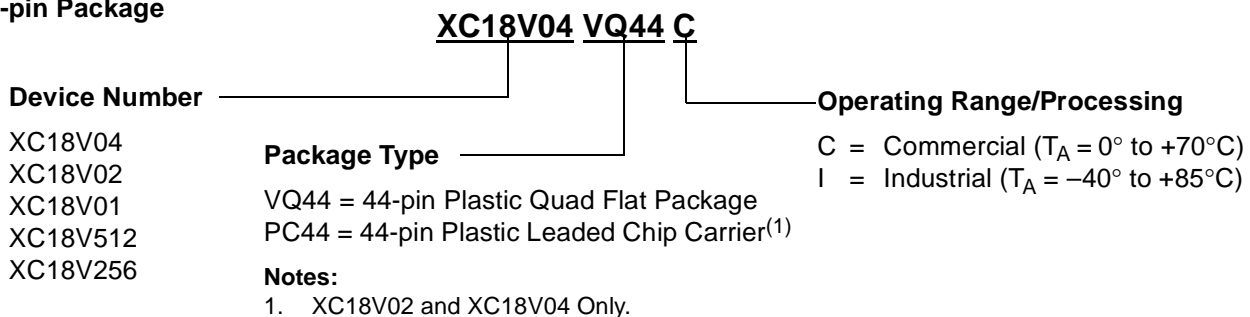
1. XC18V04 and XC18V02 only.
2. XC18V01, XC18V512, and XC18V256 only.

## Valid Ordering Combinations

XC18V04VQ44C	XC18V02VQ44C	XC18V01VQ44C	XC18V512VQ44C	XC18V256VQ44C
XC18V04PC44C	XC18V02PC44C	XC18V01PC20C	XC18V512PC20C	XC18V256PC20C
		XC18V01SO20C	XC18V512SO20C	XC18V256SO20C
XC18V04VQ44I	XC18V02VQ44I	XC18V01VQ44I	XC18V512VQ44I	XC18V256VQ44I
XC18V04PC44I	XC18V02PC44I	XC18V01PC20I	XC18V512PC20I	XC18V256PC20I
		XC18V01SO20I	XC18V512SO20I	XC18V256SO20I

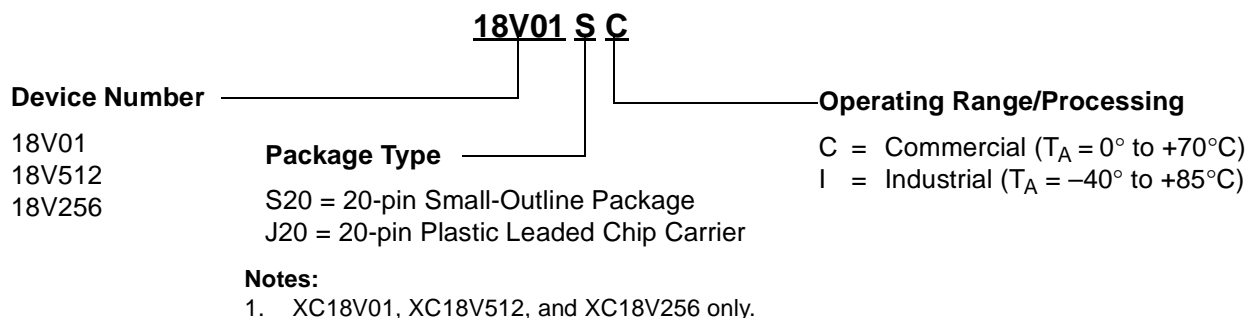
## Marking Information

### 44-pin Package



### 20-pin Package<sup>(1)</sup>

Due to the small size of the commercial serial PROM packages, the complete ordering part number cannot be marked on the package. The XC prefix is deleted and the package code is simplified. Device marking is as follows:



## Revision History

The following table shows the revision history for this document.

Date	Version	Revision
2/9/99	1.0	First publication of this early access specification
8/23/99	1.1	Edited text, changed marking, added $\overline{CF}$ and parallel load
9/1/99	1.2	Corrected JTAG order, Security and Endurance data.
9/16/99	1.3	Corrected SelectMAP diagram, control inputs, reset polarity. Added JTAG and $\overline{CF}$ description, 256 Kbit and 128 Kbit devices.
01/20/00	2.0	Added Q44 Package, changed XC18xx to XC18Vxx
02/18/00	2.1	Updated JTAG configuration, AC and DC characteristics
04/04/00	2.2	Removed stand alone resistor on INIT pin in Figure 5. Added Virtex-E and EM parts to FPGA table.
06/29/00	2.3	Removed XC18V128 and updated format. Added AC characteristics for XC18V01, XC18V512, and XC18V256 densities.
11/13/00	2.4	Features: changed 264 MHz to 264 Mbps at 33 MHz; AC Spec.: $T_{SCE}$ units to ns, $T_{HCE}$ CE High time units to $\mu$ s. Removed Standby Mode statement: "The lower power standby modes available on some XC18V00 devices are set by the user in the programming software". Changed 10,000 cycles endurance to 20,000 cycles.