

Features

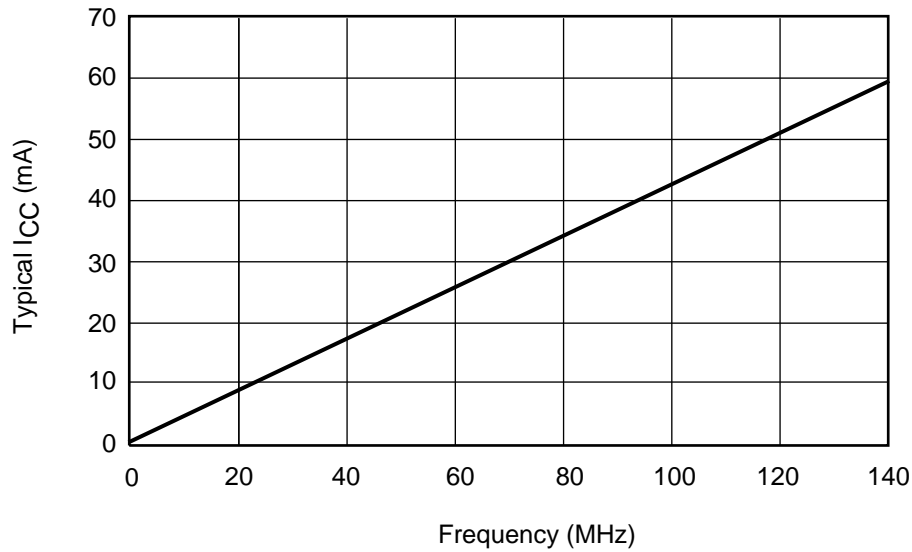
- 6.0 ns pin-to-pin logic delays
- System frequencies up to 145 MHz
- 128 macrocells with 3,200 usable gates
- Available in small footprint packages
 - 144-pin TQFP (108 user I/O pins)
 - 144-ball CS BGA (108 user I/O)
 - 100-pin VQFP (84 user I/O)
- Optimized for 3.3V systems
 - Ultra low power operation
 - 5V tolerant I/O pins with 3.3V core supply
 - Advanced 0.35 micron five metal layer reprogrammable process
 - FZP[™] CMOS design technology
- Advanced system features
 - In-system programming
 - Input registers
 - Predictable timing model
 - Up to 23 available clocks per function block
 - Excellent pin retention during design changes
 - Full IEEE Standard 1149.1 boundary-scan (JTAG)
 - Four global clocks
 - Eight product term control terms per function block
- Fast ISP programming times
- Port Enable pin for additional I/O
- 2.7V to 3.6V supply voltage at industrial temperature range
- Programmable slew rate control per output
- Security bit prevents unauthorized access
- Refer to XPLA3 family data sheet (DS012) for architecture description

Description

The XCR3128XL is a 3.3V 128 macrocell CPLD targeted at power sensitive designs that require leading edge programmable logic solutions. A total of eight function blocks provide 3,200 usable gates. Pin-to-pin propagation delays are 6.0 ns with a maximum system frequency of 145 MHz.

TotalCMOS[™] Design Technique for Fast Zero Power

Xilinx offers a TotalCMOS CPLD, both in process technology and design technique. Xilinx employs a cascade of CMOS gates to implement its sum of products instead of the traditional sense amp approach. This CMOS gate implementation allows Xilinx to offer CPLDs that are both high performance and low power, breaking the paradigm that to have low power, you must have low performance. Refer to [Figure 1](#) and [Table 1](#) showing the I_{CC} vs. Frequency of our XCR3128XL TotalCMOS CPLD (data taken with eight up/down, loadable 16-bit counters at 3.3V, 25°C).



DS016_01_112100

Figure 1: Typical I_{CC} vs. Frequency at V_{CC} = 3.3V, 25°C

Table 1: Typical I_{CC} vs. Frequency at V_{CC} = 3.3V, 25°C

Frequency (MHz)	0	1	5	10	20	40	60	80	100	120	140
Typical I _{CC} (mA)	0	0.5	2.2	4.4	8.7	17.1	25.3	33.6	41.6	49.7	57.7

DC Electrical Characteristics Over Recommended Operating Conditions⁽¹⁾

Symbol	Parameter	Test Conditions	Min.	Max.	Unit
V _{OH}	Output High voltage for 3.3V outputs	I _{OH} = -8 mA	2.4	-	V
V _{OL}	Output Low voltage for 3.3V outputs	I _{OL} = 8 mA	-	0.4	V
I _{IL}	Input leakage current	V _{IN} = GND or V _{CC}	-10	10	μA
I _{IH}	I/O High-Z leakage current	V _{IN} = GND or V _{CC}	-10	10	μA
I _{CCSB}	Standby current	V _{CC} = 3.6V	-	100	μA
I _{CC}	Dynamic current ^(2,3)	f = 1 MHz	-	1	mA
		f = 50 MHz	-	30	mA
C _{IN}	Input pin capacitance ⁽⁴⁾	f = 1 MHz	-	8	pF
C _{CLK}	Clock input capacitance ⁽⁴⁾	f = 1 MHz	-	12	pF
C _{I/O}	I/O pin capacitance ⁽⁴⁾	f = 1 MHz	-	10	pF

Notes:

1. See XPLA3 family data sheet (DS012) for recommended operating conditions.
2. See Table 1, Figure 1 for typical values.
3. This parameter measured with a 16-bit, loadable up/down counter loaded into every function block, with all outputs disabled and unloaded. Inputs are tied to V_{CC} or ground. This parameter guaranteed by design and characterization, not testing.
4. Typical values, not tested.

AC Electrical Characteristics Over Recommended Operating Conditions^(1,2)

Symbol	Parameter	-6		-7		-10		Unit
		Min.	Max.	Min.	Max.	Min.	Max.	
T_{PD1}	Propagation delay time (single p-term)	-	5.5	-	7.0	-	9.1	ns
T_{PD2}	Propagation delay time (OR array) ⁽³⁾	-	6.0	-	7.5	-	10.0	ns
T_{CO}	Clock to output (global synchronous pin clock)	-	4.0		5.0	-	6.5	ns
$T_{SUF}^{(4)}$	Setup time fast	2.0	-	2.5	-	3.0	-	ns
$T_{SU}^{(4)}$	Setup time	4.0	-	4.8	-	6.3	-	ns
$T_H^{(4)}$	Hold time	0	-	0	-	0	-	ns
$T_{WLH}^{(4)}$	Global Clock pulse width (High or Low)	2.5	-	3.0	-	4.0	-	ns
$T_{tPLH}^{(4)}$	P-term clock pulse width	4.0	-	5.0	-	6.0	-	ns
$T_R^{(4)}$	Input rise time	-	20.0	-	20.0	-	20.0	ns
$T_L^{(4)}$	Input fall time	-	20.0	-	20.0	-	20.0	ns
$f_{SYSTEM}^{(4)}$	Maximum system frequency	-	145	-	119	-	95	MHz
$T_{CONFIG}^{(4)}$	Configuration time ⁽⁵⁾	-	20.0	-	20.0	-	20.0	μ s
$T_{POE}^{(4)}$	P-term OE to output enabled	-	7.5	-	9.3	-	11.2	ns
$T_{POD}^{(4)}$	P-term OE to output disabled ⁽⁶⁾	-	7.5	-	9.3	-	11.2	ns
$T_{PCO}^{(4)}$	P-term clock to output	-	6.5	-	8.3	-	10.7	ns
$T_{PAO}^{(4)}$	P-term set/reset to output valid	-	8.0	-	9.3	-	11.2	ns
		Advance		Preliminary				

Notes:

1. Specifications measured with one output switching.
2. See XPLA3 family data sheet (DS012) for recommended operating conditions.
3. See [Figure 3](#) for derating.
4. These parameters guaranteed by design and/or characterization, not testing.
5. Typical current draw during configuration is 9 mA at 3.6V.
6. Output $C_L = 5$ pF.

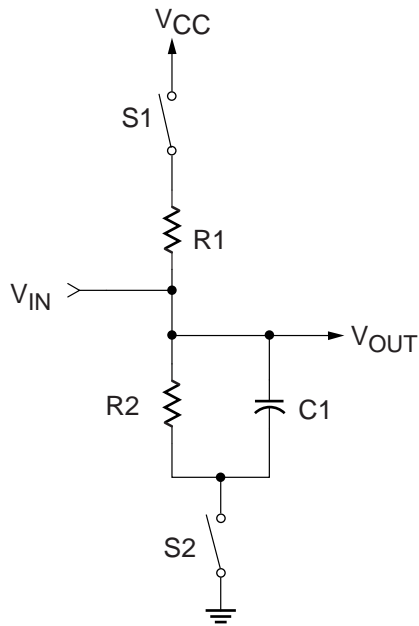
Internal Timing Parameters^(1,2)

Symbol	Parameter	-6		-7		-10		Unit	
		Min. ⁽³⁾	Max. ⁽³⁾	Min.	Max.	Min.	Max.		
Buffer Delays									
T _{IN}	Input buffer delay	-	1.3	-	1.6	-	2.2	ns	
T _{FIN}	Fast Input buffer delay	-	1.8	-	2.5	-	3.1	ns	
T _{GCK}	Global Clock buffer delay	-	0.8	-	1.0	-	1.3	ns	
T _{OUT}	Output buffer delay	-	2.2	-	2.7	-	3.6	ns	
T _{EN}	Output buffer enable/disable delay	-	4.0	-	5.0	-	5.7	ns	
Internal Register and Combinatorial Delays									
T _{LDI}	Latch transparent delay	-	1.3	-	1.6	-	2.0	ns	
T _{SUI}	Register setup time	1.0	-	1.0	-	1.2	-	ns	
T _{HI}	Register hold time	4.0	-	5.5	-	6.7	-	ns	
T _{ECSU}	Register clock enable setup time	2.0	-	2.5	-	3.0	-	ns	
T _{ECHO}	Register clock enable hold time	3.0	-	4.5	-	5.5	-	ns	
T _{COI}	Register clock to putput delay	-	1.0	-	1.3	-	1.6	ns	
T _{AOI}	Register async. S/R to output delay	-	2.5	-	2.3	-	2.1	ns	
T _{RAI}	Register async. recovery	-	4.0	-	5.0	-	6.0	ns	
T _{LOGI1}	Internal logic delay (single p-term)	-	2.0	-	2.7	-	3.3	ns	
T _{LOGI2}	Internal logic delay (PLA OR term)	-	2.5	-	3.2	-	4.2	ns	
Feedback Delays									
T _F	ZIA delay	-	1.7	-	2.1	-	3.0	ns	
Time Adders									
T _{LOGI3}	Fold-back NAND delay	-	6.0	-	7.5	-	9.5	ns	
T _{UDA}	Universal delay	-	1.7	-	2.2	-	2.7	ns	
T _{SLEW}	Slew rate limited delay	-	4.0	-	5.0	-	6.0	ns	
				Advance		Preliminary			

Notes:

1. These parameters guaranteed by design and/or characterization, not testing.
2. See XPLA family data sheet (DS012) for timing model.
3. Contact Xilinx for update on advance specification.

Switching Characteristics



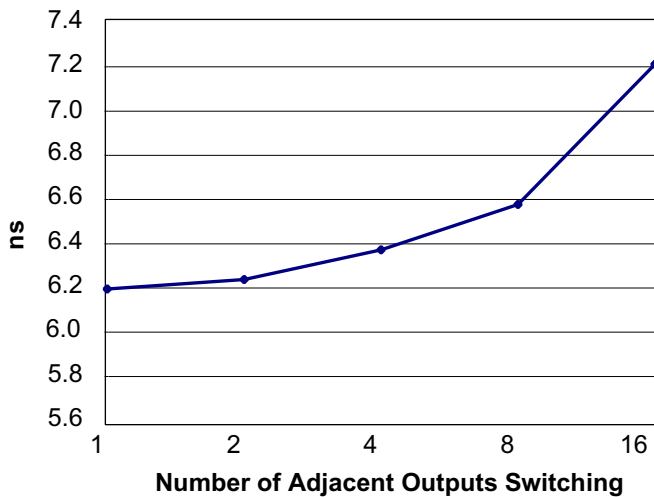
Component	Values
R1	390Ω
R2	390Ω
C1	35 pF

Measurement	S1	S2
T _{POE} (High)	Open	Closed
T _{POE} (Low)	Closed	Open
T _P	Closed	Closed

Note: For T_{POD}, C1 = 5 pF

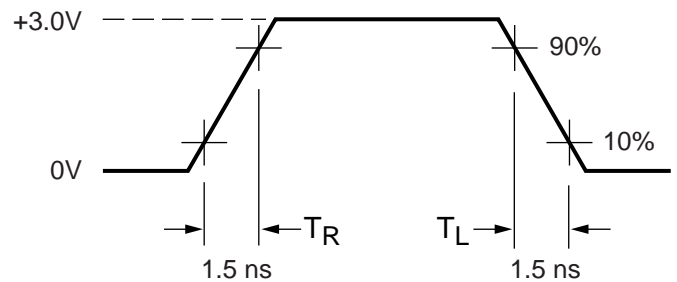
DS016_03_050200

Figure 2: AC Load Circuit



DS016_04_042800

Figure 3: Derating Curve for T_{PD2}



Measurements:

All circuit delays are measured at the +1.5V level of inputs and outputs, unless otherwise specified.

DS016_05_042800

Figure 4: Voltage Waveform

Pin Descriptions

Table 2: XCR3128XL I/O Pins

Function Block	Macrocell	VQ100	CS144	TQ144
1	1	-	B12	106
1	2	73 ⁽¹⁾	D11 ⁽¹⁾	104 ⁽¹⁾
1	3	72	D12	102
1	4	71	D13	101
1	5	70	E10	100
1	6	69	E11	99
1	7	68	E12	98
1	8	-	-	-
1	9	-	-	-
1	10	-	-	-
1	11	67	E13	97
1	12	-	F10	96
1	13	65	F12	94
1	14	64	F13	93
1	15	63	G10	92
1	16	-	G11	91
2	1	75	A13	107
2	2	76	A12	109
2	3	77	B11	110
2	4	78	A11	111
2	5	79	D10	112
2	6	80	C10	113
2	7	81	B10	114
2	8	-	-	-
2	9	-	-	-
2	10	-	-	-
2	11	83	D9	116
2	12	84	C9	117
2	13	85	B9	118
2	14	-	A9	119
2	15	-	D8	120
2	16	-	C8	121
3	1	-	G13	90
3	2	62 ⁽¹⁾	G12 ⁽¹⁾	89 ⁽¹⁾
3	3	61	H13	88
3	4	60	H12	87

Table 2: XCR3128XL I/O Pins (Continued)

Function Block	Macrocell	VQ100	CS144	TQ144
3	5	-	H11	86
3	6	58	J13	84
3	7	57	J12	83
3	8	-	-	-
3	9	-	-	-
3	10	-	-	-
3	11	56	J11	82
3	12	55	J10	81
3	13	54	K13	80
3	14	53	K12	79
3	15	52	K11	78
3	16	-	K10	77
4	1	-	M8	60
4	2	40	L8	61
4	3	41	K8	62
4	4	42	N9	63
4	5	44	L9	65
4	6	45	K9	66
4	7	46	N10	67
4	8	-	-	-
4	9	-	-	-
4	10	-	-	-
4	11	47	M10	68
4	12	48	L10	69
4	13	49	N11	70
4	14	50	M11	71
4	15	-	L11	72
4	16	-	M12	74
5	1	2	A1	1
5	2	1	A2	143
5	3	100	C3	142
5	4	99	B3	141
5	5	98	A3	140
5	6	97	C4	139
5	7	96	B4	138
5	8	-	-	-
5	9	-	-	-

Table 2: XCR3128XL I/O Pins (Continued)

Function Block	Macrocell	VQ100	CS144	TQ144
5	10	-	-	-
5	11	-	A4	137
5	12	-	D5	136
5	13	94	B5	134
5	14	93	A5	133
5	15	92	D6	132
5	16	-	C6	131
6	1	-	B1	2
6	2	4 ⁽¹⁾	D2 ⁽¹⁾	4 ⁽¹⁾
6	3	5	D1	5
6	4	6	E4	6
6	5	7	E3	7
6	6	8	E2	8
6	7	9	E1	9
6	8	-	-	-
6	9	-	-	-
6	10	-	-	-
6	11	10	F4	10
6	12	-	F3	11
6	13	-	F2	12
6	14	12	G2	14
6	15	13	G1	15
6	16	14	G3	16
7	1	-	N7	56
7	2	37	M7	55
7	3	36	N6	54
7	4	35	M6	53
7	5	33	M5	46
7	6	32	L5	45
7	7	31	K5	44
7	8	-	-	-
7	9	-	-	-
7	10	-	-	-
7	11	30	N4	42
7	12	29	M4	41
7	13	28	L4	40
7	14	27	K4	39

Table 2: XCR3128XL I/O Pins (Continued)

Function Block	Macrocell	VQ100	CS144	TQ144
7	15	-	N3	38
7	16	-	M3	37
8	1	-	H1	18
8	2	15 ⁽¹⁾	H2 ⁽¹⁾	20 ⁽¹⁾
8	3	16	H3	21
8	4	17	H4	22
8	5	-	J1	23
8	6	19	J3	25
8	7	20	J4	26
8	8	-	-	-
8	9	-	-	-
8	10	-	-	-
8	11	21	K1	27
8	12	22	K2	28
8	13	23	K3	29
8	14	24	L1	30
8	15	25	M2	31
8	16	-	N1	32

Notes:

- JTAG pins

Table 3: XCR3128XL Global, JTAG, Port Enable, Power, and No Connect Pins

Pin Type	VQ100	CS144	TQ144
IN0 / CLK0	90	D7	128
IN1 / CLK1	89	C7	127
IN2 / CLK2	88	A7	126
IN3 / CLK3	87	B7	125
TCK	62	G12	89
TDI	4	D2	4
TDO	73	D11	104
TMS	15	H2	20
PORT_EN	11 ⁽¹⁾	F1 ⁽¹⁾	13 ⁽¹⁾
Vcc	3, 18, 34, 39, 51, 66, 82, 91	A10, B2, B6, B8, D4, F11, J2, K6, K7, L13, N5, N12	24, 50, 51, 58, 73, 76, 95, 115, 123, 130, 144

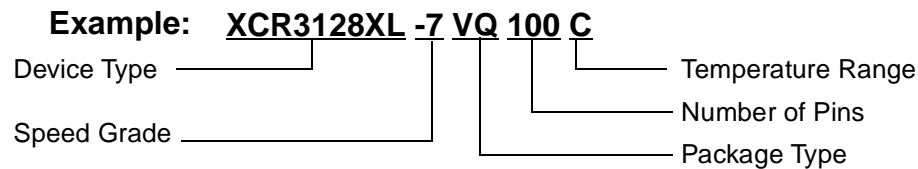
Table 3: XCR3128XL Global, JTAG, Port Enable, Power, and No Connect Pins

Pin Type	VQ100	CS144	TQ144
GND	26, 38, 43, 59, 74, 86, 95	A6, A8, C5, C13, D3, G4, H10, L6, L7, M9, N2, N8	3, 17, 33, 52, 57, 59, 64, 85, 105, 124, 129, 135
No Connects	-	B13, C1, C2, C11, C12, L2, L3, L12, M1, M13, N13	19, 34, 35, 36, 43, 47, 48, 49, 75, 103, 108, 122

Notes:

1. Port Enable is brought High to enable JTAG pins when JTAG pins are used as I/O. See family data sheet for full explanation.

Ordering Information



Device Ordering Options

Speed		Package		Temperature	
-10	10 ns pin-to-pin delay	VQ100	100-pin Very Thin Quad Flat Package	C = Commercial	T _A = 0°C to +70°C V _{CC} = 3.0V to 3.6V
-7	7.5 ns pin-to-pin delay	CS144	144-ball Chip Scale Package	I = Industrial	T _A = -40°C to +85°C V _{CC} = 2.7V to 3.6V
-6	6 ns pin-to-pin delay	TQ144	144-pin Thin Quad Flat Pack		

Component Availability

Pins		100	144	144
Type		Plastic VQFP	Plastic TQFP	Plastic BGA
Code		VQ100	TQ144	CS144
XCR3128XL	-6	(C)	(C)	(C)
	-7	C, (I)	C, (I)	C, (I)
	-10	C,I	C,I	C,I

Notes:

1. Parenthesis indicate future planned products. Please contact Xilinx for up-to-date information.

Revision History

The following table shows the revision history for this document..

Date	Version	Revision
04/07/00	1.0	Initial Xilinx release.
05/03/00	1.1	Minor updates and added Boundary Scan to pinout table.
11/20/00	1.2	Updated pinout tables.
12/08/00	1.3	Updated pinout tables.
01/17/010	1.4	Removed Timing Model.