

Introduction to CMOS VLSI Design

Lecture 2: MIPS Processor Example

David Harris



Harvey Mudd College
Spring 2004

Outline

- Design Partitioning
- MIPS Processor Example
 - Architecture
 - Microarchitecture
 - Logic Design
 - Circuit Design
 - Physical Design
- Fabrication, Packaging, Testing

Activity 2

- Sketch a stick diagram for a 4-input NOR gate

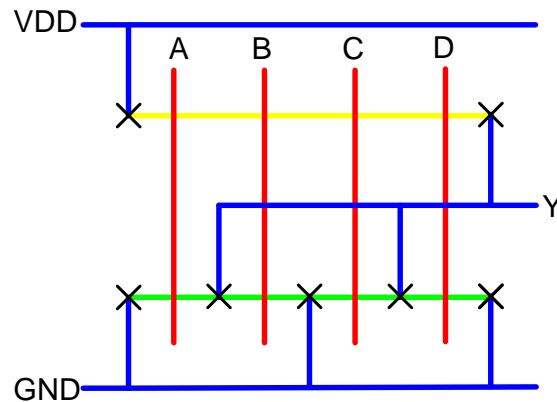
2: MIPS Processor Example

CMOS VLSI Design

Slide 3

Activity 2

- Sketch a stick diagram for a 4-input NOR gate



2: MIPS Processor Example

CMOS VLSI Design

Slide 4

Coping with Complexity

- ❑ How to design System-on-Chip?
 - Many millions (soon billions!) of transistors
 - Tens to hundreds of engineers
- ❑ Structured Design
- ❑ Design Partitioning

2: MIPS Processor Example

CMOS VLSI Design

Slide 5

Structured Design

- ❑ **Hierarchy**: Divide and Conquer
 - Recursively system into modules
- ❑ **Regularity**
 - Reuse modules wherever possible
 - Ex: Standard cell library
- ❑ **Modularity**: well-formed interfaces
 - Allows modules to be treated as black boxes
- ❑ **Locality**
 - Physical and temporal

2: MIPS Processor Example

CMOS VLSI Design

Slide 6

Design Partitioning

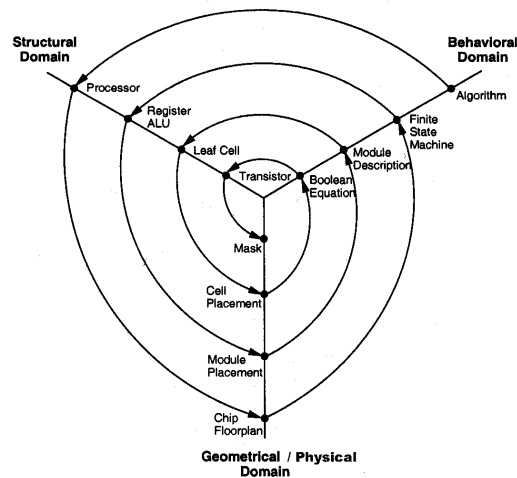
- ❑ **Architecture:** User's perspective, what does it do?
 - Instruction set, registers
 - MIPS, x86, Alpha, PIC, ARM, ...
- ❑ **Microarchitecture**
 - Single cycle, multicycle, pipelined, superscalar?
- ❑ **Logic:** how are functional blocks constructed
 - Ripple carry, carry lookahead, carry select adders
- ❑ **Circuit:** how are transistors used
 - Complementary CMOS, pass transistors, domino
- ❑ **Physical:** chip layout
 - Datapaths, memories, random logic

2: MIPS Processor Example

CMOS VLSI Design

Slide 7

Gajski Y-Chart



2: MIPS Processor Example

CMOS VLSI Design

Slide 8

MIPS Architecture

- ❑ Example: subset of MIPS processor architecture
 - Drawn from Patterson & Hennessy
- ❑ MIPS is a 32-bit architecture with 32 registers
 - Consider 8-bit subset using 8-bit datapath
 - Only implement 8 registers (\$0 - \$7)
 - \$0 hardwired to 00000000
 - 8-bit program counter

Instruction Set

Table 1.7 MIPS instruction set (subset supported)

Instruction	Function	Encoding	op	funct
add \$1, \$2, \$3	addition: \$1 → \$2 + \$3	R	000000	100000
sub \$1, \$2, \$3	subtraction: \$1 → \$2 - \$3	R	000000	100010
and \$1, \$2, \$3	bitwise and: \$1 → \$2 and \$3	R	000000	100100
or \$1, \$2, \$3	bitwise or: \$1 → \$2 or \$3	R	000000	100101
slt \$1, \$2, \$3	set less than: \$1 → 1 if \$2 < \$3 \$1 → 0 otherwise	R	000000	101010
addi \$1, \$2, imm	add immediate: \$1 → \$2 + imm	I	001000	n/a
beq \$1, \$2, imm	branch if equal: PC → PC + imm ^a	I	000100	n/a
j destination	jump: PC → PC + imm ^a	J	000010	n/a
lb \$1, imm(\$2)	load byte: \$1 → mem[\$2 + imm]	I	100000	n/a
sb \$1, imm(\$2)	store byte: mem[\$2 + imm] → \$1	I	110000	n/a

Instruction Encoding

- ❑ 32-bit instruction encoding
 - Requires four cycles to fetch on 8-bit datapath

format	example	encoding					
R	add \$rd, \$ra, \$rb	6 0	5 ra	5 rb	5 rd	5 0	6 funct
I	beq \$ra, \$rb, imm	6 op	5 ra	5 rb	16 imm		
J	j dest	6 op	26 dest				

Fibonacci (C)

$$f_0 = 1; f_{-1} = -1$$

$$f_n = f_{n-1} + f_{n-2}$$

$$f = 1, 1, 2, 3, 5, 8, 13, \dots$$

```
int fib(void)
{
    int n = 8;          /* compute nth Fibonacci number */
    int f1 = 1, f2 = -1; /* last two Fibonacci numbers */

    while (n != 0) {    /* count down to n = 0 */
        f1 = f1 + f2;
        f2 = f1 - f2;
        n = n - 1;
    }
    return f1;
}
```

Fibonacci (Assembly)

- ❑ 1st statement: $n = 8$
- ❑ How do we translate this to assembly?

Fibonacci (Assembly)

```
# fib.asm
# Register usage: $3: n $4: f1 $5: f2
# return value written to address 255
fib:  addi $3, $0, 8      # initialize n=8
      addi $4, $0, 1     # initialize f1 = 1
      addi $5, $0, -1    # initialize f2 = -1
loop: beq $3, $0, end    # Done with loop if n = 0
      add $4, $4, $5     # f1 = f1 + f2
      sub $5, $4, $5     # f2 = f1 - f2
      addi $3, $3, -1    # n = n - 1
      j loop             # repeat until done
end:  sb $4, 255($0)     # store result in address 255
```

Fibonacci (Binary)

- ❑ 1st statement: addi \$3, \$0, 8
- ❑ How do we translate this to machine language?
 - Hint: use instruction encodings below

format	example	encoding					
R	add \$rd, \$ra, \$rb	6 0	5 ra	5 rb	5 rd	5 0	6 funct
I	beq \$ra, \$rb, imm	6 op	5 ra	5 rb	16 imm		
J	j dest	6 op	26 dest				

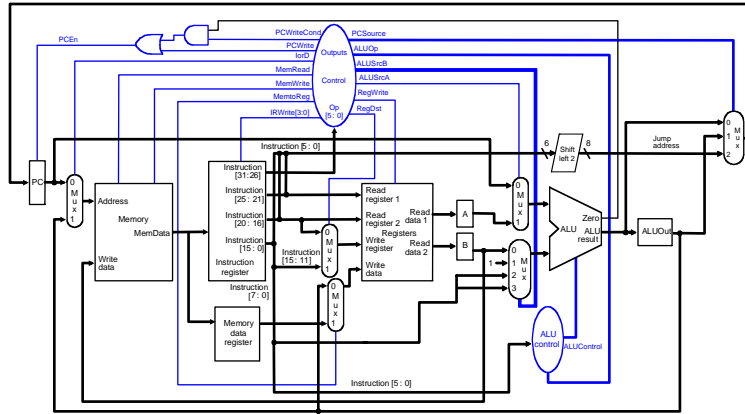
Fibonacci (Binary)

- ❑ Machine language program

Instruction	Binary Encoding	Hexadecimal Encoding
addi \$3, \$0, 8	001000 00000 00011 0000000000001000	20030008
addi \$4, \$0, 1	001000 00000 00100 0000000000000001	20040001
addi \$5, \$0, -1	001000 00000 00101 1111111111111111	2005ffff
beq \$3, \$0, end	000100 00011 00000 0000000000000101	10600005
add \$4, \$4, \$5	000000 00100 00101 00100 00000 100000	00852020
sub \$5, \$4, \$5	000000 00100 00101 00101 00000 100010	00852822
addi \$3, \$3, -1	001000 00011 00011 1111111111111111	2063ffff
j loop	000010 00000000000000000000000000000011	08000003
sb \$4, 255(\$0)	110000 00000 00100 0000000011111111	a00400ff

MIPS Microarchitecture

□ Multicycle μ architecture from Patterson & Hennessy

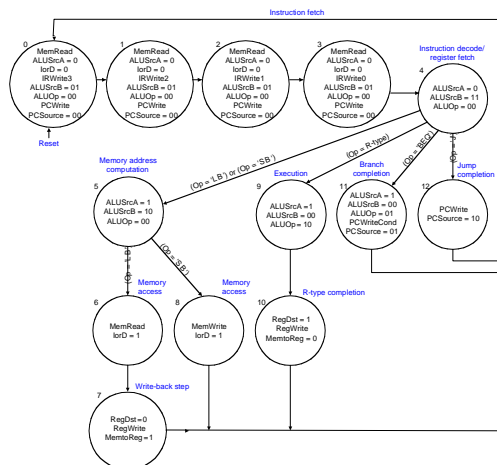


2: MIPS Processor Example

CMOS VLSI Design

Slide 17

Multicycle Controller



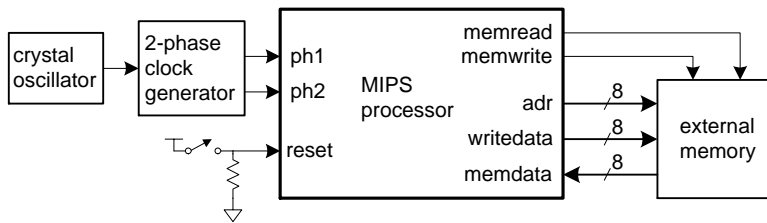
2: MIPS Processor Example

CMOS VLSI Design

Slide 18

Logic Design

- ❑ Start at top level
 - Hierarchically decompose MIPS into units
- ❑ Top-level interface

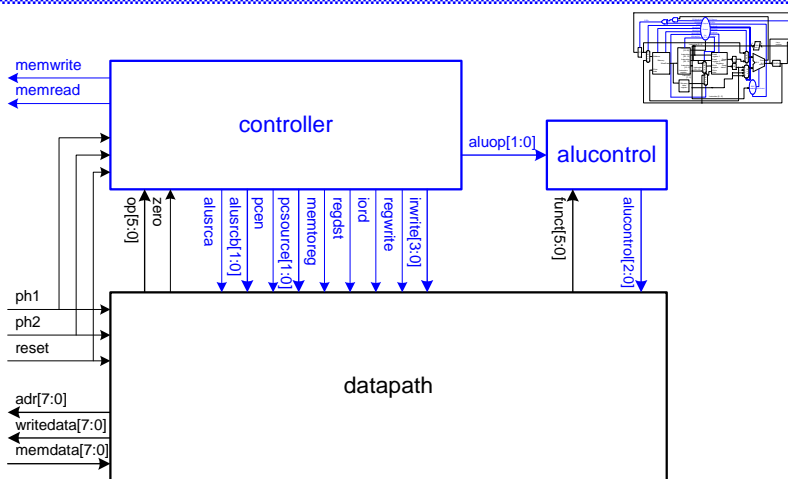


2: MIPS Processor Example

CMOS VLSI Design

Slide 19

Block Diagram

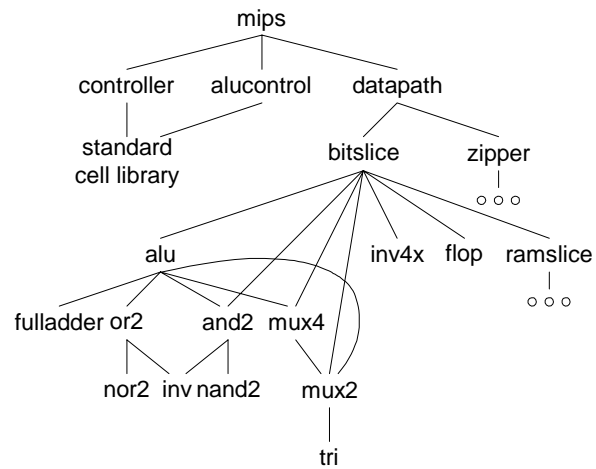


2: MIPS Processor Example

CMOS VLSI Design

Slide 20

Hierarchical Design



2: MIPS Processor Example

CMOS VLSI Design

Slide 21

HDLs

- ❑ Hardware Description Languages
 - Widely used in logic design
 - Verilog and VHDL
- ❑ Describe hardware using code
 - Document logic functions
 - Simulate logic before building
 - Synthesize code into gates and layout
 - Requires a library of standard cells

2: MIPS Processor Example

CMOS VLSI Design

Slide 22

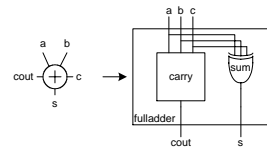
Verilog Example

```
module fulladder(input a, b, c,  
                output s, cout);
```

```
    sum          s1(a, b, c, s);  
    carry        c1(a, b, c, cout);  
endmodule
```

```
module carry(input a, b, c,  
             output cout)
```

```
assign cout = (a&b) | (a&c) | (b&c);  
endmodule
```



2: MIPS Processor Example

CMOS VLSI Design

Slide 23

Circuit Design

- How should logic be implemented?
 - NANDs and NORs vs. ANDs and ORs?
 - Fan-in and fan-out?
 - How wide should transistors be?
- These choices affect speed, area, power
- Logic synthesis makes these choices for you
 - Good enough for many applications
 - Hand-crafted circuits are still better

2: MIPS Processor Example

CMOS VLSI Design

Slide 24

Example: Carry Logic

```
❑ assign cout = (a&b) | (a&c) | (b&c);
```

Transistors? Gate Delays?

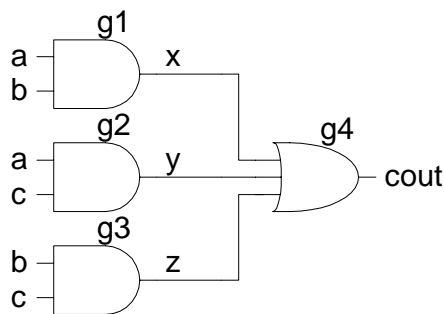
2: MIPS Processor Example

CMOS VLSI Design

Slide 25

Example: Carry Logic

```
❑ assign cout = (a&b) | (a&c) | (b&c);
```



Transistors? Gate Delays?

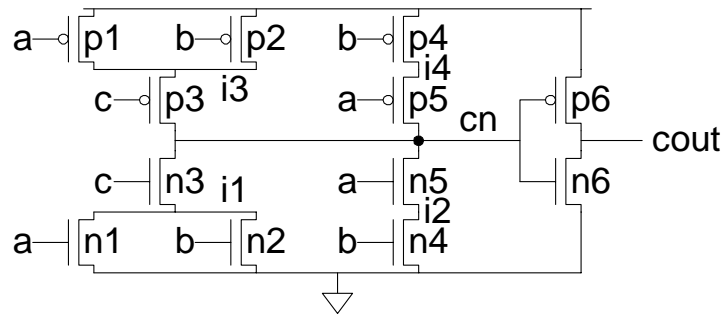
2: MIPS Processor Example

CMOS VLSI Design

Slide 26

Example: Carry Logic

```
assign cout = (a&b) | (a&c) | (b&c);
```



Transistors? Gate Delays?

Gate-level Netlist

```
module carry(input a, b, c,
             output cout)
```

```
  wire x, y, z;
```

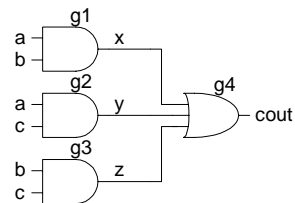
```
  and g1(x, a, b);
```

```
  and g2(y, a, c);
```

```
  and g3(z, b, c);
```

```
  or g4(cout, x, y, z);
```

```
endmodule
```



Transistor-Level Netlist

```

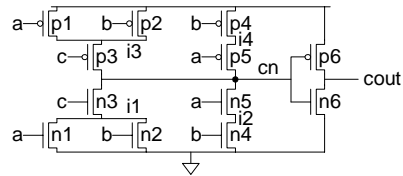
module carry(input  a, b, c,
             output cout)

    wire      i1, i2, i3, i4, cn;

    tranif1 n1(i1, 0, a);
    tranif1 n2(i1, 0, b);
    tranif1 n3(cn, i1, c);
    tranif1 n4(i2, 0, b);
    tranif1 n5(cn, i2, a);
    tranif0 p1(i3, 1, a);
    tranif0 p2(i3, 1, b);
    tranif0 p3(cn, i3, c);
    tranif0 p4(i4, 1, b);
    tranif0 p5(cn, i4, a);
    tranif1 n6(cout, 0, cn);
    tranif0 p6(cout, 1, cn);

endmodule

```



2: MIPS Processor Example

CMOS VLSI Design

Slide 29

SPICE Netlist

```

.SUBCKT CARRY A B C COUT VDD GND
MN1 I1 A GND GND NMOS W=1U L=0.18U AD=0.3P AS=0.5P
MN2 I1 B GND GND NMOS W=1U L=0.18U AD=0.3P AS=0.5P
MN3 CN C I1 GND NMOS W=1U L=0.18U AD=0.5P AS=0.5P
MN4 I2 B GND GND NMOS W=1U L=0.18U AD=0.15P AS=0.5P
MN5 CN A I2 GND NMOS W=1U L=0.18U AD=0.5P AS=0.15P
MP1 I3 A VDD VDD PMOS W=2U L=0.18U AD=0.6P AS=1 P
MP2 I3 B VDD VDD PMOS W=2U L=0.18U AD=0.6P AS=1P
MP3 CN C I3 VDD PMOS W=2U L=0.18U AD=1P AS=1P
MP4 I4 B VDD VDD PMOS W=2U L=0.18U AD=0.3P AS=1P
MP5 CN A I4 VDD PMOS W=2U L=0.18U AD=1P AS=0.3P
MN6 COUT CN GND GND NMOS W=2U L=0.18U AD=1P AS=1P
MP6 COUT CN VDD VDD PMOS W=4U L=0.18U AD=2P AS=2P
CI1 I1 GND 2FF
CI3 I3 GND 3FF
CA A GND 4FF
CB B GND 4FF
CC C GND 2FF
CCN CN GND 4FF
CCOUT COUT GND 2FF
.ENDS

```

2: MIPS Processor Example

CMOS VLSI Design

Slide 30

Physical Design

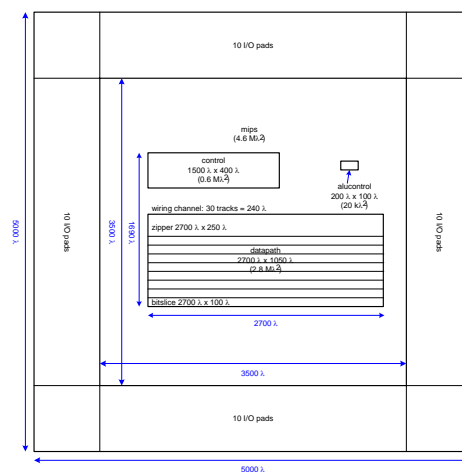
- ❑ Floorplan
- ❑ Standard cells
 - Place & route
- ❑ Datapaths
 - Slice planning
- ❑ Area estimation

2: MIPS Processor Example

CMOS VLSI Design

Slide 31

MIPS Floorplan

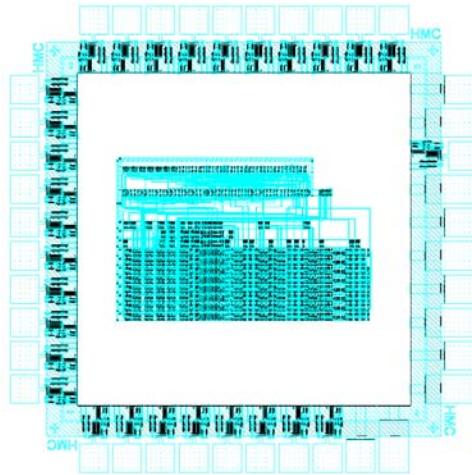


2: MIPS Processor Example

CMOS VLSI Design

Slide 32

MIPS Layout



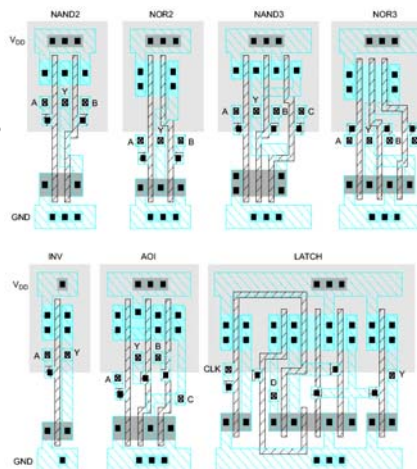
2: MIPS Processor Example

CMOS VLSI Design

Slide 33

Standard Cells

- Uniform cell height
- Uniform well height
- M1 V_{DD} and GND rails
- M2 Access to I/Os
- Well / substrate taps
- Exploits regularity



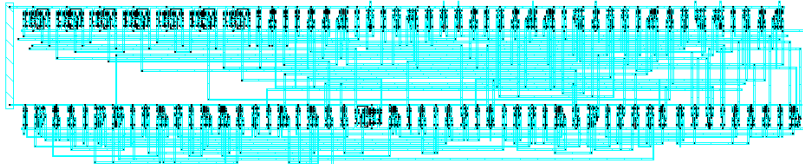
2: MIPS Processor Example

CMOS VLSI Design

Slide 34

Synthesized Controller

- ❑ Synthesize HDL into gate-level netlist
- ❑ Place & Route using standard cell library



2: MIPS Processor Example

CMOS VLSI Design

Slide 35

Pitch Matching

- ❑ Synthesized controller area is mostly wires
 - Design is smaller if wires run through/over cells
 - Smaller = faster, lower power as well!
- ❑ Design snap-together cells for datapaths and arrays
 - Plan wires into cells
 - Connect by abutment
 - Exploits locality
 - Takes lots of effort

A	A	A	A	B
A	A	A	A	B
A	A	A	A	B
A	A	A	A	B
C		C		D

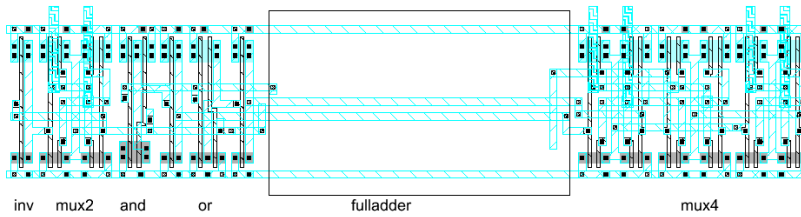
2: MIPS Processor Example

CMOS VLSI Design

Slide 36

MIPS ALU

- ❑ Arithmetic / Logic Unit is part of bitslice



2: MIPS Processor Example

CMOS VLSI Design

Slide 39

Area Estimation

- ❑ Need area estimates to make floorplan
 - Compare to another block you already designed
 - Or estimate from transistor counts
 - Budget room for large wiring tracks
 - Your mileage may vary!

Table 1.10 Typical layout densities

Element	Area
random logic (2-level metal process)	1000 – 1500 λ^2 / transistor
datapath	250 – 750 λ^2 / transistor or 6 WL + 360 λ^2 / transistor
SRAM	1000 λ^2 / bit
DRAM (in a DRAM process)	100 λ^2 / bit
ROM	100 λ^2 / bit

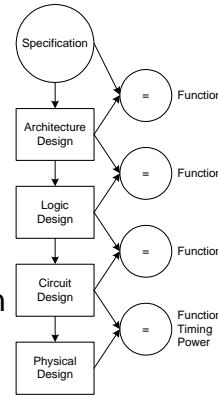
2: MIPS Processor Example

CMOS VLSI Design

Slide 40

Design Verification

- ❑ Fabrication is slow & expensive
 - MOSIS 0.6 μ m: \$1000, 3 months
 - State of art: \$1M, 1 month
- ❑ Debugging chips is very hard
 - Limited visibility into operation
- ❑ Prove design is right before building!
 - Logic simulation
 - Ckt. simulation / formal verification
 - Layout vs. schematic comparison
 - Design & electrical rule checks
- ❑ Verification is > 50% of effort on most chips!



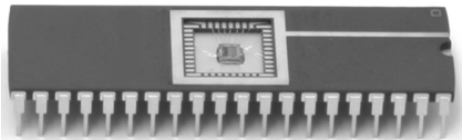
2: MIPS Processor Example

CMOS VLSI Design

Slide 41

Fabrication & Packaging

- ❑ Tapeout final layout
- ❑ Fabrication
 - 6, 8, 12" wafers
 - Optimized for throughput, not latency (10 weeks!)
 - Cut into individual dice
- ❑ Packaging
 - Bond gold wires from die I/O pads to package



2: MIPS Processor Example

CMOS VLSI Design

Slide 42

Testing

- ❑ Test that chip operates
 - Design errors
 - Manufacturing errors
- ❑ A single dust particle or wafer defect kills a die
 - Yields from 90% to < 10%
 - Depends on die size, maturity of process
 - Test each part before shipping to customer