

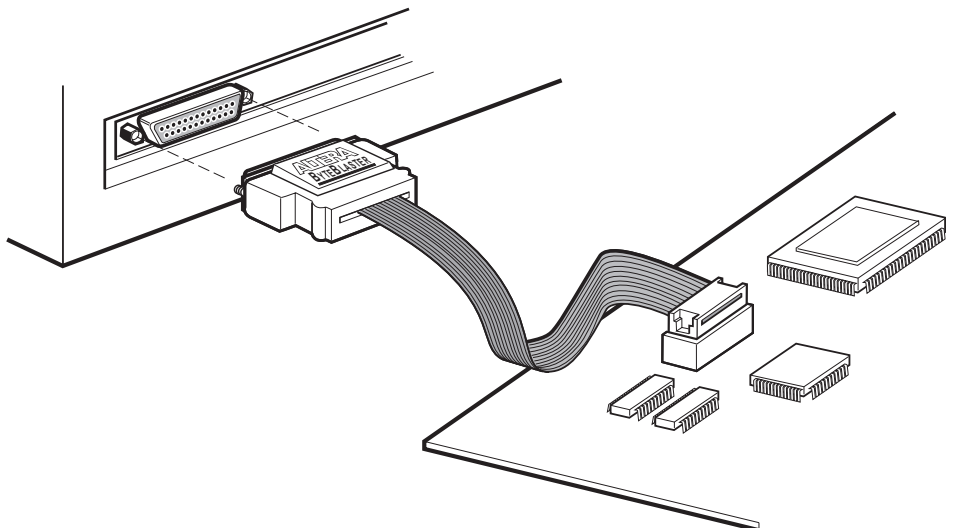
Features

- Allows PC users to perform the following functions:
 - Program MAX® 9000 (including MAX 9000A), MAX 7000S, and MAX 7000A devices in-system via a standard parallel port
 - Configure FLEX® 10K, FLEX 8000, and FLEX 6000 devices in-circuit via a standard parallel port
- Provides a fast and low-cost method for in-system programming
- Downloads data from the MAX+PLUS® II development software
- Interfaces with a standard 25-pin parallel port on PCs
- Uses 10-pin circuit board connector, which is identical to that of the BitBlaster™ serial download cable

Functional Description

The ByteBlaster™ parallel port download cable (ordering code: PL-BYTEBLASTER) is a hardware interface to a standard PC parallel port (also known as an LPT port). This cable channels configuration data to FLEX 10K, FLEX 8000, and FLEX 6000 devices, as well as programming data to MAX 9000, MAX 7000S, and MAX 7000A devices. Because design changes are downloaded directly to the device, prototyping is easy and multiple design iterations can be accomplished in quick succession. See [Figure 1](#).

Figure 1. ByteBlaster Parallel Port Download Cable



Download Modes

The ByteBlaster cable provides two download modes:

- Passive serial (PS) mode—Used for configuring FLEX 10K, FLEX 8000, and FLEX 6000 devices
- JTAG mode—Industry-standard Joint Test Action Group (JTAG) boundary-scan test (BST) circuitry (compliant with IEEE Std. 1149.1-1990) implemented for configuring FLEX 10K or programming MAX 9000, MAX 7000S, and MAX 7000A devices

ByteBlaster Connections

The ByteBlaster cable has a 25-pin male header that connects to the PC parallel port, and a 10-pin female plug that connects to the circuit board. Data is downloaded from the PC's parallel port through the ByteBlaster download cable to the circuit board via the connections discussed in this section.



To configure/program 3.3-V devices (e.g., FLEX 10KA and MAX 7000A devices) using the ByteBlaster cable, connect the cable's VCC pin to a 5.0-V power supply and the device to a 3.3-V power supply. FLEX 10KA and MAX 7000A devices have 5.0-V tolerant inputs, so the ByteBlaster cable's 5.0-V output will not harm these 3.0-V devices. The pull-up resistors should be connected to the 5.0-V power supply.

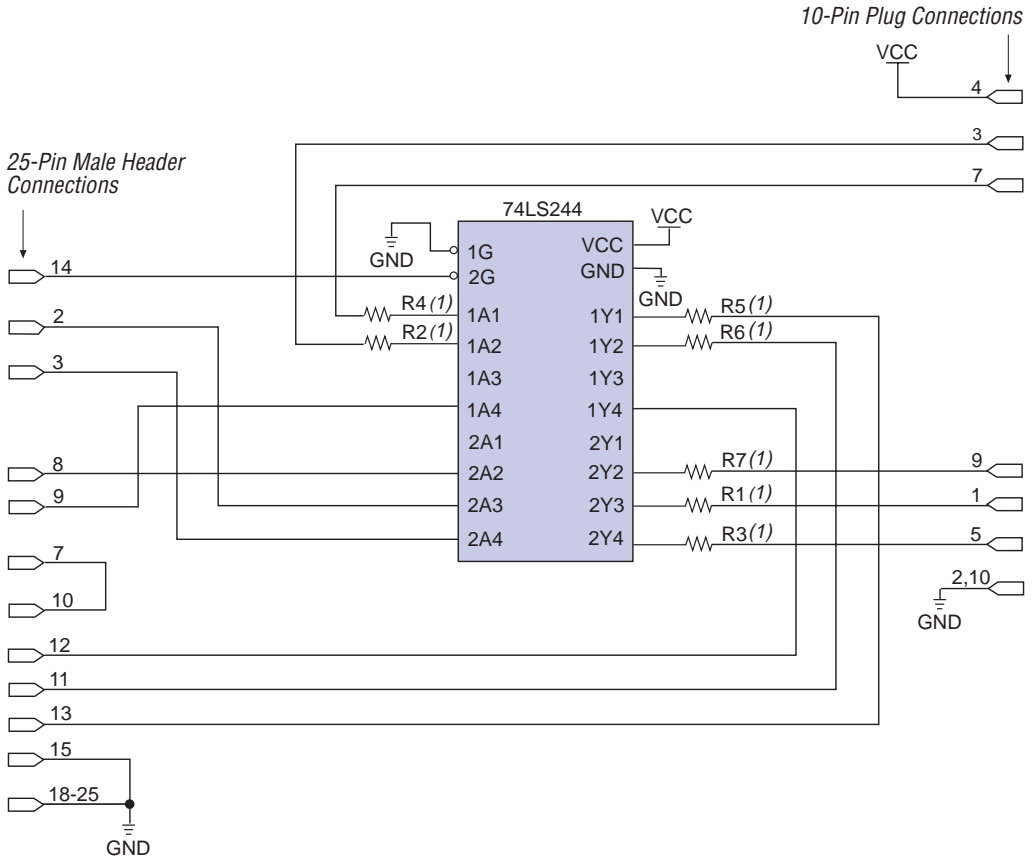
ByteBlaster Header & Plug Connections

The 25-pin male header connects to a parallel port with a standard parallel cable. [Table 1](#) identifies the pins and the download modes.

Pin	JTAG Mode Signal Name	PS Mode Signal Name
2	TCK	DCLK
3	TMS	nCONFIG
8	TDI	DATA0
11	TDO	CONF_DONE
13	NC	nSTATUS
15	GND	GND
18 to 25	GND	GND

Figure 2 shows a schematic of the ByteBlaster download cable.

Figure 2. ByteBlaster Schematic



Note:
 (1) All resistors are 33 Ω.

The 10-pin female plug connects to a 10-pin male header on the circuit board containing the target device(s). Figure 3 shows the dimensions of the female plug.

Figure 3. ByteBlaster 10-Pin Female Plug Dimensions

Dimensions are shown in inches. The spacing between pin centers is 0.1 inch.

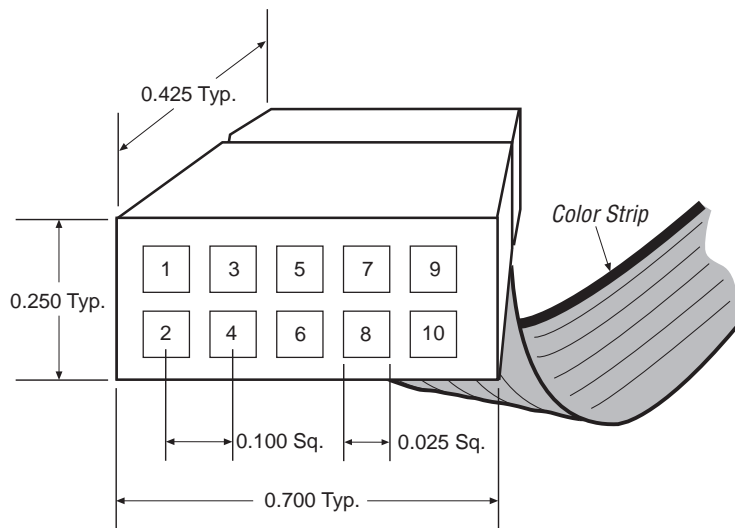


Table 2 identifies the 10-pin female plug's pin names for the corresponding download mode.

Pin	JTAG Mode		PS Mode	
	Signal Name	Description	Signal Name	Description
1	TCK	Clock signal	DCLK	Clock signal
2	GND	Signal ground	GND	Signal ground
3	TDO	Data from device	CONFIG_DONE	Configuration control
4	VCC	Power supply	VCC	Power supply
5	TMS	JTAG state machine control	nCONFIG	Configuration control
6	—	No connect	—	No connect
7	—	No connect	nSTATUS	Configuration status
8	—	No connect	—	No connect
9	TDI	Data to device	DATA0	Data to device
10	GND	Signal ground	GND	Signal ground



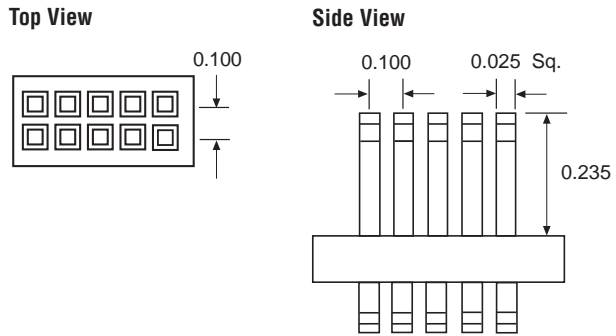
The circuit board must supply V_{CC} and ground to the ByteBlaster cable.

Circuit Board Header Connection

The ByteBlaster 10-pin female plug connects to a 10-pin male header on the circuit board. The 10-pin male header has two rows of five pins, which are connected to the device's programming or configuration pins. The ByteBlaster cable receives power and downloads data via the male header. Figure 4 shows the dimensions of a typical 10-pin male header.

Figure 4. 10-Pin Male Header Dimensions

Dimensions are shown in inches.



Operating Conditions

The following tables summarize the absolute maximum ratings, recommended operating conditions, and DC operating conditions for the ByteBlaster cable.

ByteBlaster Cable Absolute Maximum Ratings

Symbol	Parameter	Conditions	Min	Max	Unit
V_{CC}	Supply voltage	With respect to ground		7.0	V
V_I	DC input voltage	With respect to ground		7.0	V

ByteBlaster Cable Recommended Operating Conditions

Symbol	Parameter	Conditions	Min	Max	Unit
V_{CC}	Supply voltage, 5.0-V operation		4.75	5.25	V

ByteBlaster Cable DC Operating Conditions

Symbol	Parameter	Conditions	Min	Max	Unit
V_{IH}	High-level input voltage		2.0		V
V_{IL}	Low-level input voltage			0.8	V
V_{OH}	5.0-V high-level TTL output voltage	$I_{OH} = 3 \text{ mA}$, $V_{CC} = 4.75 \text{ V}$	2.3		V
V_{OL}	Low-level output voltage	$I_{OL} = 4 \text{ mA DC}$, $V_{CC} = 4.75 \text{ V}$		0.53	V
I_{CC}	Operating current			50	mA

Passive Serial Mode

This section discusses PS configuration for single and multiple FLEX devices. In PS configuration the data is sent to the FLEX device serially by the data source; in this case, the data source is the ByteBlaster download cable. The data is synchronized to a clock that is supplied by the data source.

PS Configuration of a Single FLEX Device

Single FLEX 10K, FLEX 8000, or FLEX 6000 devices can be configured using the PS configuration scheme and the MAX+PLUS II Programmer. Devices are configured with an SRAM Object File (.sof), which is generated automatically during project compilation. For more information, refer to [“Software Instructions” on page 310](#).

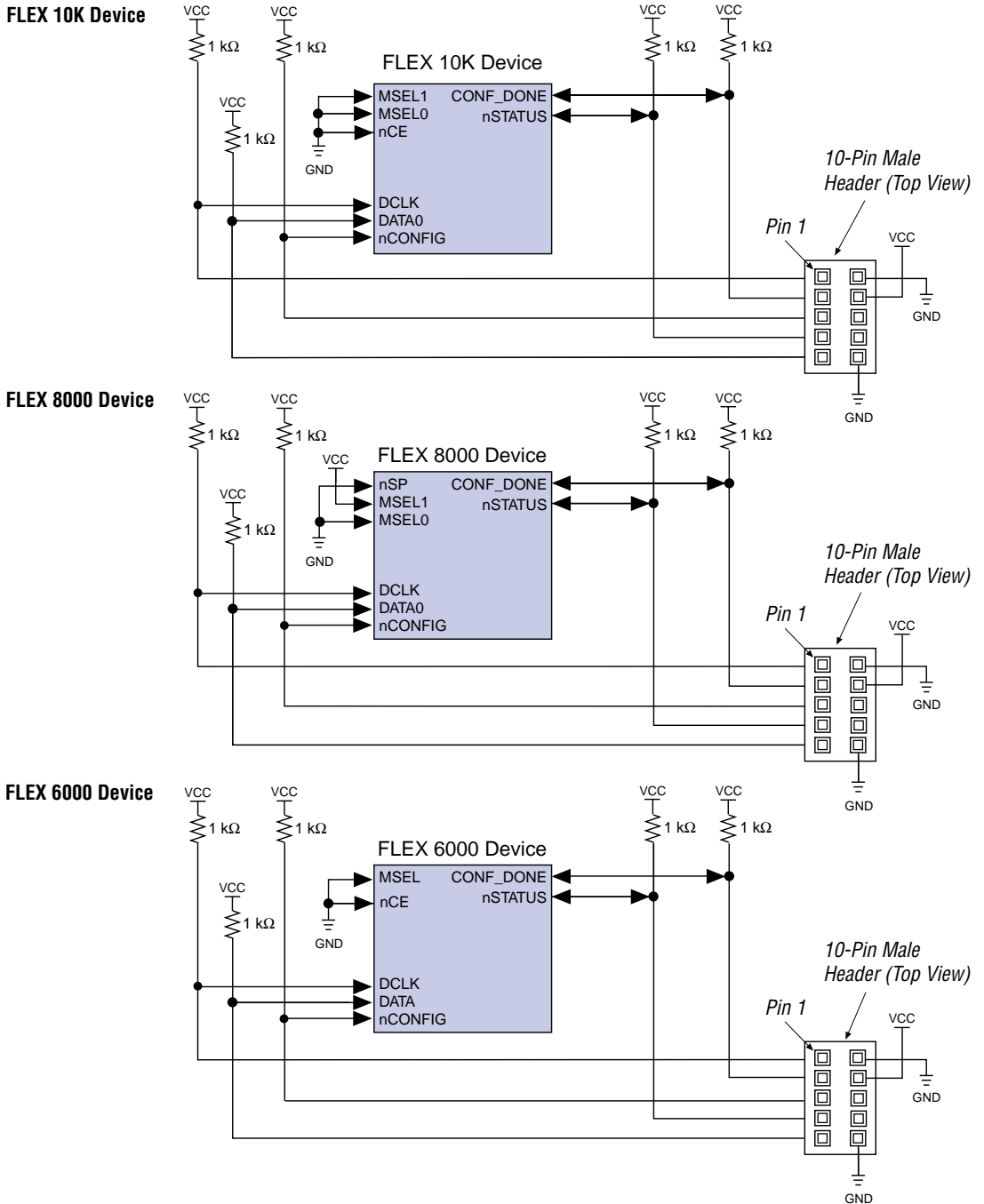
[Figure 5](#) shows how the ByteBlaster cable interfaces with a single FLEX 10K, FLEX 8000, or FLEX 6000 device. If the DATA0 pin is used in user mode, it must be isolated during configuration.



Go to the following sources for additional information:

- [Application Note 59 \(Configuring FLEX 10K Devices\)](#)
- [Application Note 33 \(Configuring FLEX 8000 Devices\)](#)
- [Application Note 38 \(Configuring Multiple FLEX 8000 Devices\)](#)
- [Application Note 87 \(Configuring FLEX 6000 Devices\)](#)
- Search for *“Configuring a Single Device with the BitBlaster, ByteBlaster, or FLEX Download Cable”* in MAX+PLUS II Help

Figure 5. Single FLEX Device Configuration with the ByteBlaster Cable



PS Configuration of Multiple FLEX Devices

Multiple FLEX 10K, FLEX 8000, or FLEX 6000 devices can be configured via the ByteBlaster cable in PS mode using the MAX+PLUS II Programmer. See [Figures 6, 7, and 8](#).

Figure 6. FLEX 10K Multi-Device PS Configuration with the ByteBlaster Cable

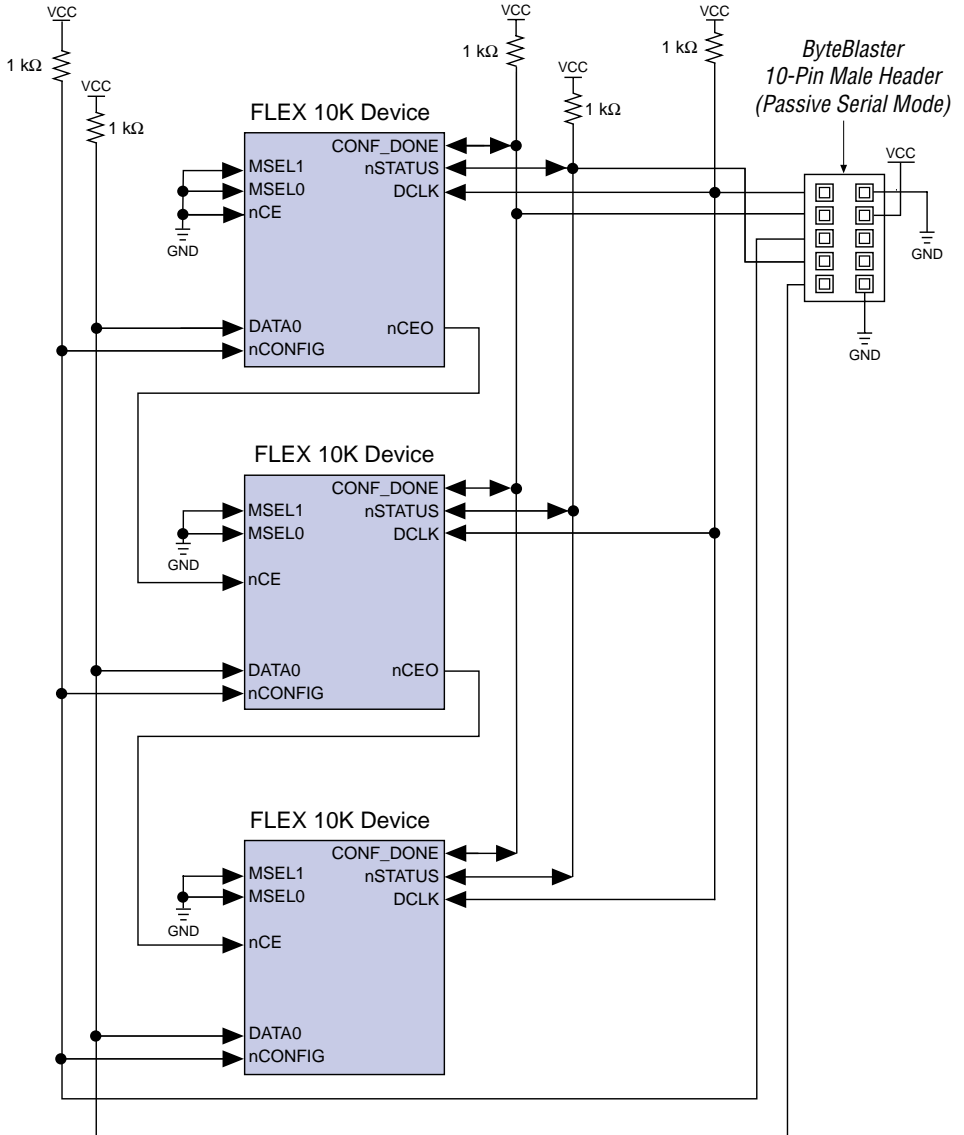


Figure 7. FLEX 8000 Multi-Device PS Configuration with the ByteBlaster Cable

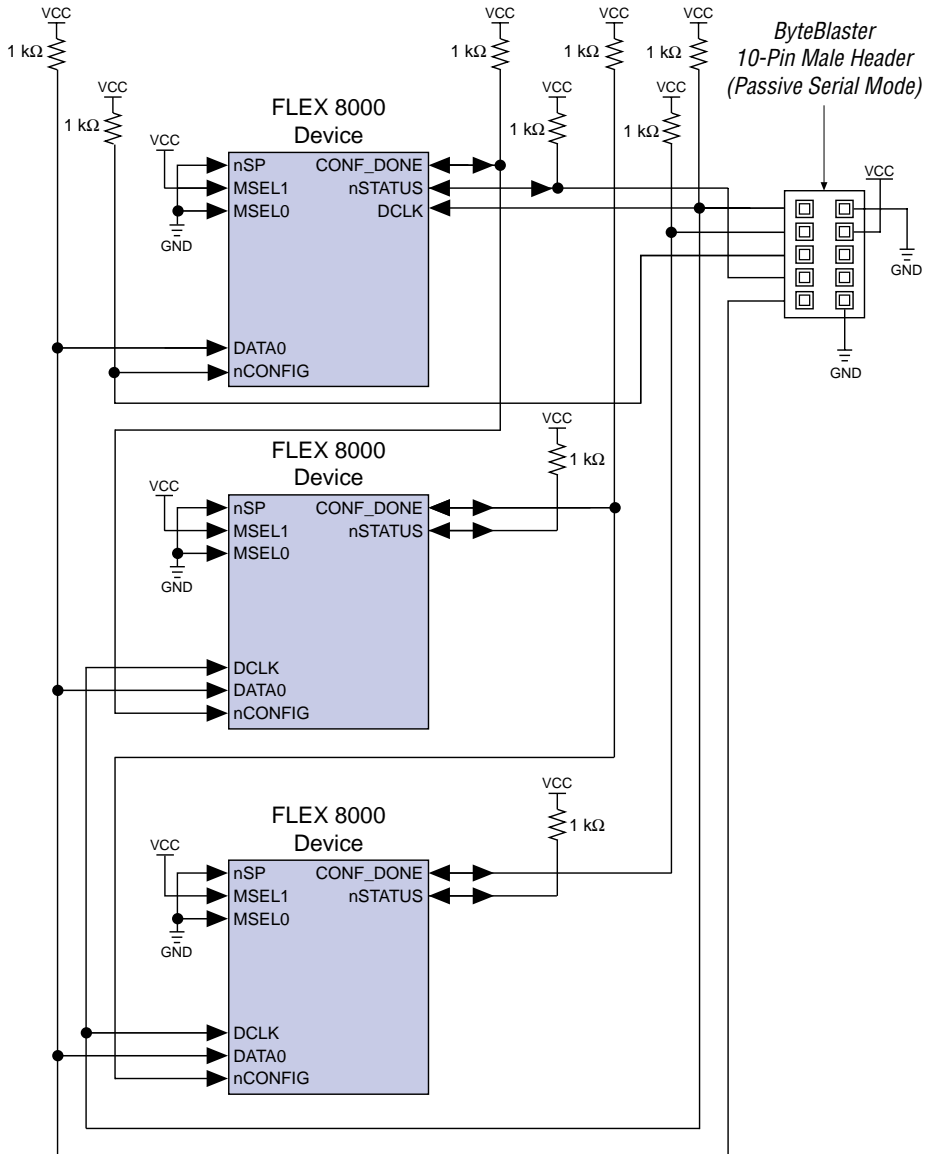
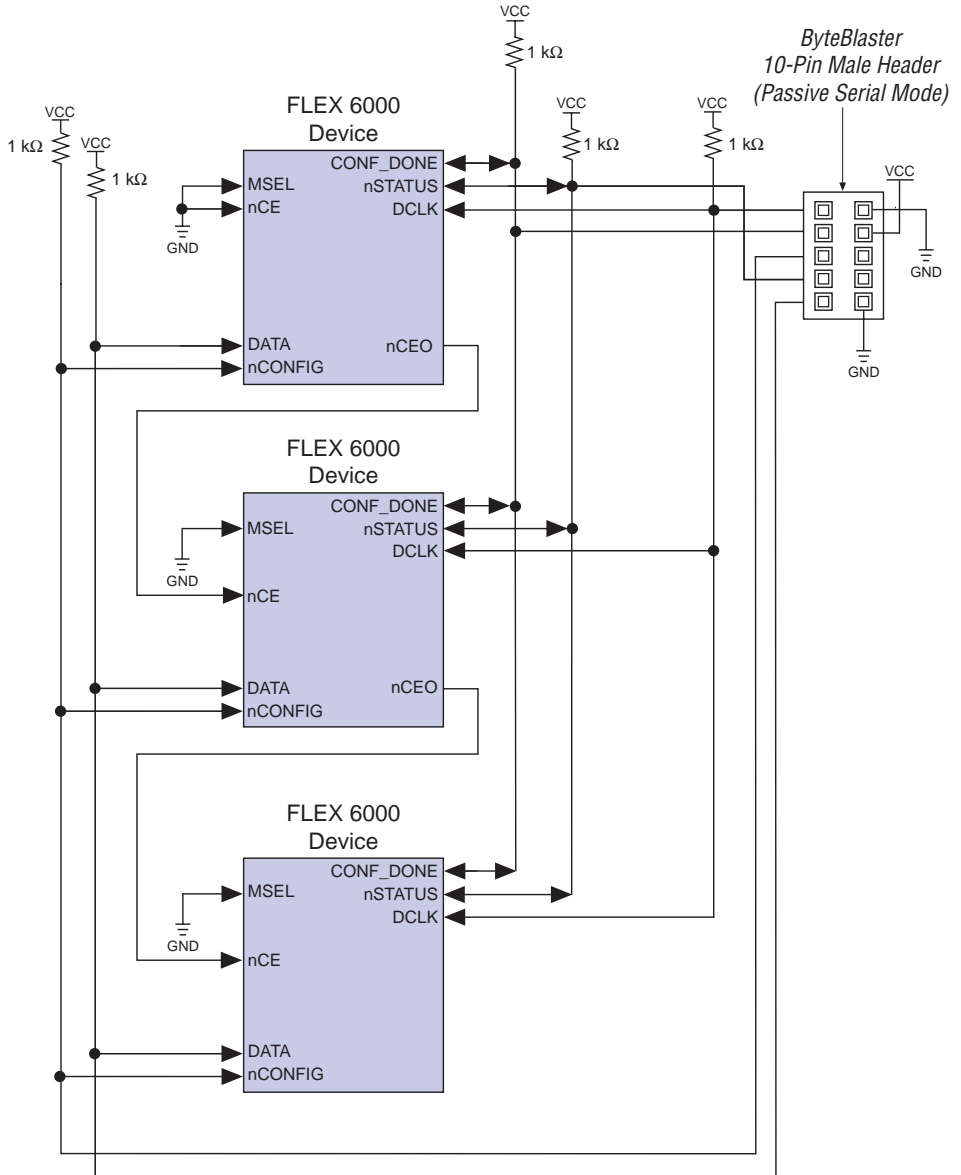


Figure 8. FLEX 6000 Multi-Device PS Configuration with the ByteBlaster Cable



FLEX 10K and FLEX 6000 devices can also be configured in the same configuration chain. The nCEO pin of a FLEX 10K device can be connected to the nCE pin of a FLEX 6000 device and vice versa. The CONF_DONE and nSTATUS pins of all the devices in the configuration chain need to be tied together.



Search for “Configuring Multiple FLEX Devices in a FLEX Chain with the BitBlaster, ByteBlaster, or FLEX Download Cable” in MAX+PLUS II Help.

JTAG Mode

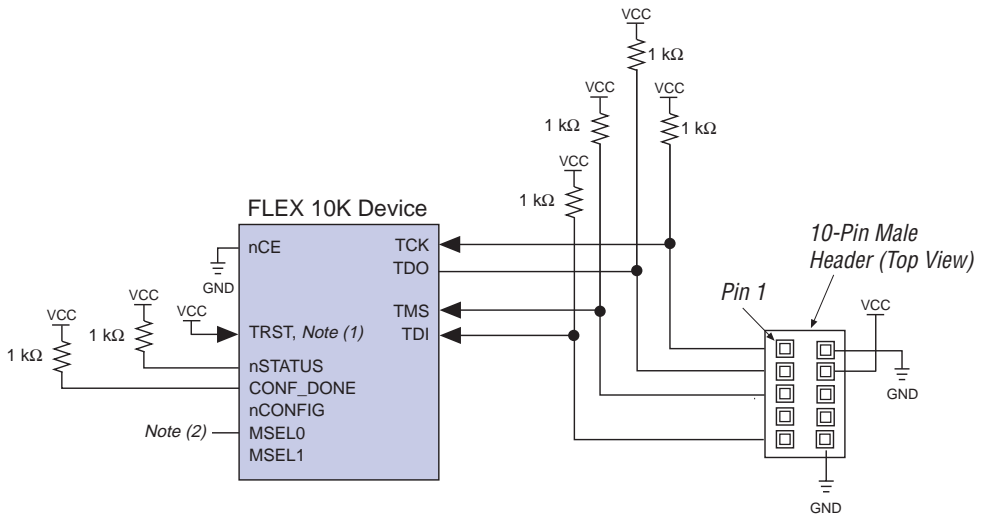
For in-system programming and in-circuit reconfiguration in JTAG mode, the ByteBlaster cable connects to devices on the circuit board via any standard parallel port. This section discusses the following topics:

- JTAG configuration of a single FLEX 10K device
- JTAG programming of a single MAX 9000, MAX 7000S, or MAX 7000A device
- JTAG programming and configuration of multiple devices

JTAG Configuration of a Single FLEX 10K Device

The MAX+PLUS II software downloads the SRAM Object File (.sof), created during compilation, directly to the device via the ByteBlaster cable. Refer to “[Software Instructions](#)” on page 310 for more information. Devices are configured via the JTAG pins: TCK, TMS, TDI, and TDO. [Figure 9](#) shows how the ByteBlaster cable interfaces with a single FLEX 10K device. All other I/O pins are tri-stated in this configuration.

Figure 9. JTAG Configuration of a Single FLEX 10K Device



Notes:

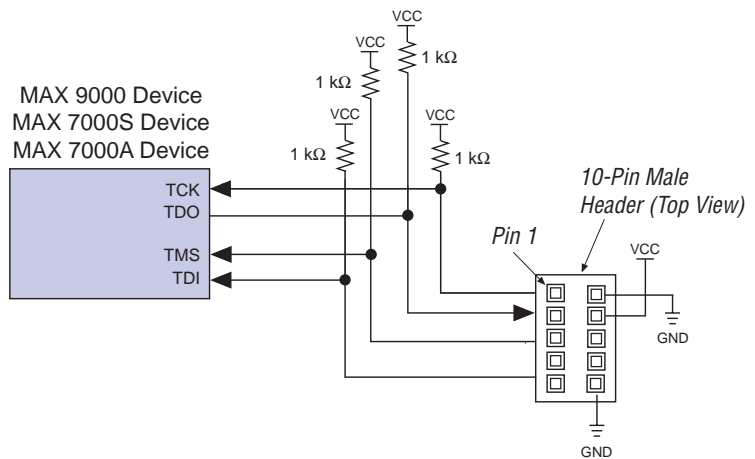
- (1) FLEX 10K devices in 144-pin TQFP packages do not have a TRST pin. Therefore, the TRST pin can be ignored when using these devices. The nCONFIG, MSEL0, and MSEL1 pins should be connected to support a FLEX configuration scheme. If only JTAG configuration is used, connect nCONFIG to V_{CC} , and MSEL0 and MSEL1 to ground.
- (2) The nCONFIG, MSEL0, and MSEL1 pins should be connected to support a FLEX configuration scheme. If only JTAG configuration is used, connect nCONFIG to V_{CC} , and MSEL0 and MSEL1 to ground.

JTAG Programming of a Single MAX 9000, MAX 7000S or MAX 7000A Device

The MAX+PLUS II software downloads the Programmer Object File (.pof) created during compilation directly to the device via the ByteBlaster cable. Refer to “[Software Instructions](#)” on page 310 in this data sheet for more information.

Devices are programmed via the device JTAG pins: TCK, TMS, TDI, and TDO. [Figure 10](#) shows how the ByteBlaster cable interfaces with a MAX 9000, MAX 7000S, or MAX 7000A device. The I/O pins are tri-stated during in-system programming.

Figure 10. MAX 9000, MAX 7000S & MAX 7000A Device Programming with the ByteBlaster Cable

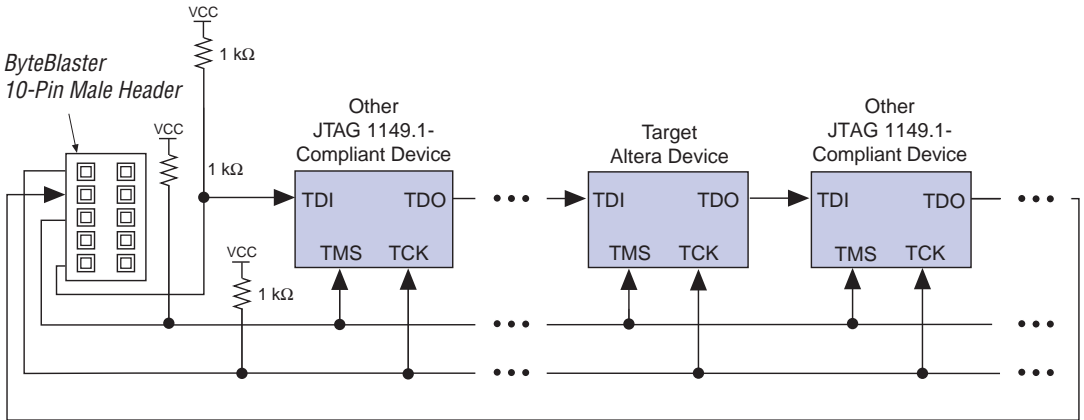


Search for “Programming a Single Device with the BitBlaster or ByteBlaster” in MAX+PLUS II Help for more information.

JTAG Programming & Configuration of Multiple Devices

When programming a JTAG chain of devices, one JTAG-compatible plug, such as the ByteBlaster 10-pin female plug, is connected to several devices. The number of devices in the JTAG chain is limited only by the drive capability of the ByteBlaster cable. Refer to “[ByteBlaster Cable DC Operating Conditions](#)” on page 302. However, when more than 5 devices are connected in a JTAG chain, Altera recommends buffering the TCK, TDI, and TMS pins.

JTAG-chain device programming is ideal when the circuit board contains multiple devices, or when the circuit board is tested using JTAG boundary-scan testing. Refer to [Figure 11](#).

Figure 11. JTAG-Chain Device Programming & Configuration with the ByteBlaster Cable

If FLEX 10K devices are part of the JTAG configuration chain, the `nCONFIG`, `MSEL0`, `MSEL1`, `CONF_DONE`, and `nSTATUS` pins should be connected as shown in [Figure 9](#); this setup only applies when a JTAG configuration scheme is used, i.e., not when a combination of FLEX and JTAG configuration schemes are used. The `CONF_DONE` and `nSTATUS` pins on each device should be pulled-up independently.

 FLEX 10K devices in 144-pin TQFP packages do not have a `TRST` pin. Therefore, the `TRST` pin can be ignored when configuring multiple FLEX 10K 144-pin TQFP devices.

To program a single device in a JTAG chain, the programming software places all other devices (including non-Altera devices) in the JTAG chain in `BYPASS` mode. In `BYPASS` mode, devices pass programming data from the `TDI` pin to the `TDO` pin through a single bypass register without being affected internally, thereby enabling the programming software to program or verify the target device.

MAX 9000, MAX 7000S, and MAX 7000A devices can be programmed in-system using a JTAG chain; FLEX 10K devices can be configured in-circuit using a JTAG chain. In addition, MAX and FLEX devices can be placed within the same JTAG chain for device programming and configuration. See [Figure 11](#).



Go to the following sources for additional information:

- [Application Note 39 \(JTAG Boundary-Scan Testing in Altera Devices\)](#)
- Search for “Setting Up Multi-Device JTAG Chains,” “Configuring Multiple Devices in a JTAG Chain with the BitBlaster or ByteBlaster,” and “Programming Multiple Devices in a JTAG Chain with the BitBlaster or ByteBlaster ” in MAX+PLUS II Help.

Software Instructions


The MAX+PLUS II Programmer downloads configuration or programming data for FLEX 10K, FLEX 8000, FLEX 6000, MAX 9000, MAX 7000S, or MAX 7000A devices.

To configure or program one or more devices with the ByteBlaster cable and the MAX+PLUS II Programmer, follow these steps:

1. Compile a project. The MAX+PLUS II Compiler automatically generates an SOF for FLEX 10K, FLEX 8000, and FLEX 6000 device configuration, or a POF for MAX 9000, MAX 7000S, and MAX 7000A device programming.
2. Attach the ByteBlaster cable to a parallel port on a PC and insert the 10-pin female plug into the prototype system containing the target device. The board must supply power to the ByteBlaster cable.
3. Open the MAX+PLUS II Programmer. Choose the **Hardware Setup** command (Options menu) to specify the ByteBlaster cable and the appropriate LPT port. See “Changing the Hardware Setup” in MAX+PLUS II Help for more information.



MAX+PLUS II automatically loads the programming file for the current project (either a POF or SOF), or the first programming file for a multi-device project. To specify another programming file, choose **Select Programming File** (File menu) and specify the correct file. For a FLEX 10K, FLEX 8000, or FLEX 6000 device, select an SOF; for a MAX 9000, MAX 7000S, or MAX 7000A device, select a POF.

4. For JTAG or FLEX-chain programming or configuration, perform the following:
 - ✓ To program or configure devices in a JTAG chain (multi- or single-device chain), turn on **Multi-Device JTAG-Chain** (JTAG menu) and choose **Multi-Device JTAG Chain Setup** to set up the multi-device JTAG chain. See “Setting up Multi-Device JTAG Chains” in MAX+PLUS II Help for more information.
 -  If the JTAG chain includes either FLEX or MAX devices exclusively, set up and create just one JTAG Chain File (.jcf). Likewise, if the JTAG chain includes a mixture of FLEX and MAX devices, set up and create two separate JCFs.
 - ✓ To configure multiple devices in a FLEX chain, turn on **Multi-Device FLEX Chain** (FLEX menu) and choose **Multi-Device FLEX Chain Setup** to setup the multi-device FLEX chain. See “Setting Up Multi-Device FLEX Chains” in MAX+PLUS II Help for more information.
5. Choose the **Program** or **Configure** button to program or configure the device(s).

The ByteBlaster downloads the data from the SOF or POF File(s) into the device(s).

Conclusion

Downloading configuration and programming data directly to the device via the ByteBlaster cable allows designers to verify multiple design iterations in quick succession, thereby speeding the design cycle.

Revision History

The information contained in the *ByteBlaster Parallel Port Download Cable Data Sheet* version 2.01 supersedes information published in the *ByteBlaster Parallel Port Download Cable Data Sheet* version 2.0 in the *1998 Data Book*.

The *ByteBlaster Parallel Port Download Cable Data Sheet* version 2.01 contains the following changes:

- References to MAX 9000A devices were added as needed.
- References to FLEX 10KB and FLEX 10KE devices were added to the configuring/programming 3.3-V devices paragraph in “ByteBlaster Connections.”
- Minor textual, illustration, and style changes were made to the data sheet.

Copyright © 1995, 1996, 1997, 1998, 1999 Altera Corporation, 101 Innovation Drive,
San Jose, CA 95134, USA, all rights reserved.

By accessing this information, you agree to be bound by the terms of Altera's
Legal Notice.