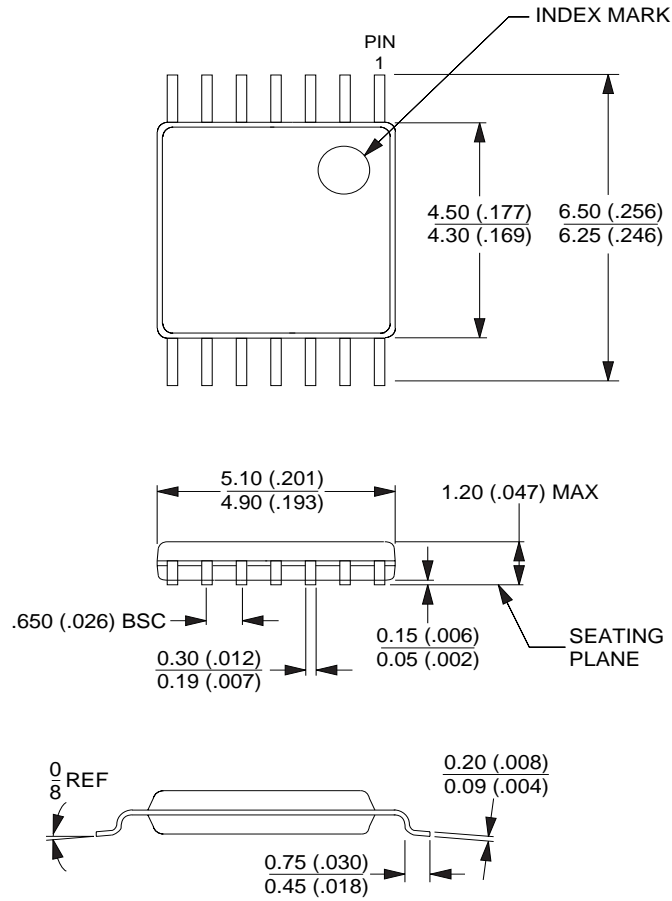


## 14T, 14-Lead, 0.170" Wide, Thin Shrink Small Outline Package (TSSOP) Dimensions in Millimeters and (Inches)



Controlling dimension: millimeters