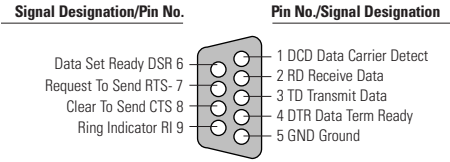


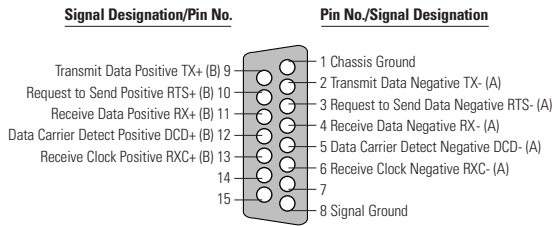
Sealevel Systems' RS-422 pinout for the DB-9 has been incorporated by many adapter manufacturers over the past years. We've included it here as a reference, along with some other more common interface pinouts that are available.



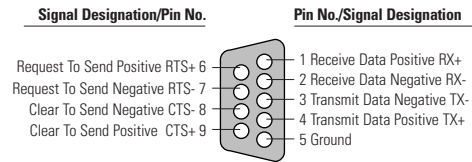
### RS-232 Interface (DB9)



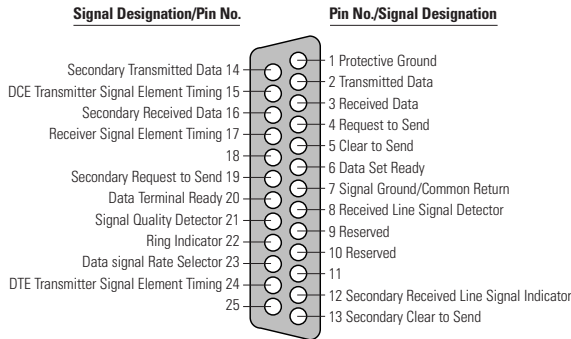
### X.21 Interface (DB15)



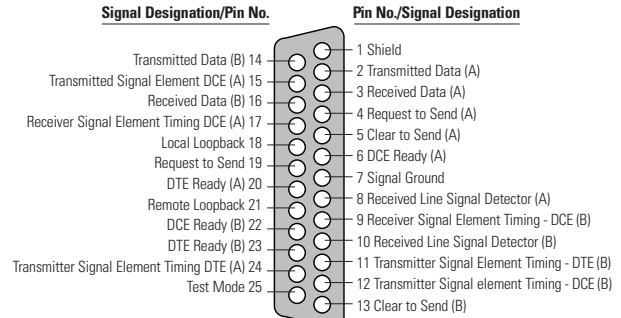
### Sealevel Systems RS-422 Interface (DB9)



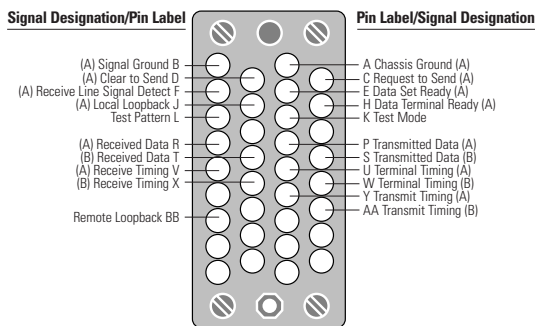
### RS-232 Interface (DB25)



### RS-530 Interface (DB25)



### V.35 Interface



### RS-449 Interface (DB37)

