



# *SeaPort ISO-16™*

## *USER MANUAL*



---

### **Part # 8207**

**Sealevel Systems, Inc**  
155 Technology Place  
P.O. Box 830  
FLEMING, SC 29657 USA

Phone: (864) 843-4343  
FAX: (864) 843-3067  
[www.sealevel.com](http://www.sealevel.com)

## Contents

<b>INTRODUCTION.....</b>	<b>1</b>
OVERVIEW .....	1
WHAT'S INCLUDED.....	1
<b>INSTALLATION.....</b>	<b>1</b>
<b>TECHNICAL DESCRIPTION.....</b>	<b>2</b>
FEATURES .....	2
<i>Digital Inputs</i> .....	2
DIGITAL INPUT PORT .....	2
TURN-ON VOLTAGE.....	3
PROGRAMMING.....	4
APPLICATION PROGRAMMERS INTERFACE (API) .....	4
SERIAL STRING.....	4
<i>Relative Addressing vs. Absolute Addressing</i> .....	5
3 <sup>RD</sup> PARTY SOFTWARE SUPPORT .....	5
<b>SPECIFICATIONS .....</b>	<b>7</b>
ENVIRONMENTAL SPECIFICATIONS.....	7
POWER CONSUMPTION .....	7
MEAN TIME BETWEEN FAILURES (MTBF) .....	7
<b>APPENDIX A - TROUBLESHOOTING.....</b>	<b>8</b>
<b>APPENDIX B - HOW TO GET ASSISTANCE.....</b>	<b>9</b>
<b>APPENDIX C - SILK-SCREEN .....</b>	<b>10</b>
<b>APPENDIX D - COMPLIANCE NOTICES.....</b>	<b>11</b>
FEDERAL COMMUNICATIONS COMMISSION STATEMENT.....	11
EMC DIRECTIVE STATEMENT .....	11
<b>WARRANTY .....</b>	<b>12</b>

© 2002c Sealevel Systems, Incorporated. All rights reserved.

### Figures

<b>Figure 1:Input Wiring .....</b>	<b>Error! Bookmark not defined.</b>
<b>Figure 2:Addressing Tables.....</b>	<b>6</b>

## Introduction

### Overview

The **SeaPORT ISO-16** provides 16 optically isolated inputs to allow monitoring of off board switch closures, relays or any other general purpose monitoring needs.

### What's Included

The **SeaPORT ISO-16** is shipped with the following items. If any of these items is missing or damaged, contact the supplier.

- **SeaPORT ISO-16** Adapter
- Sealevel Software
- USB A to B Cable, Part number CA179

## Installation

Be sure to install the software before the hardware.

Choose **Install Software** at the beginning of the CD. Select the **Digital I/O** software drivers and install **SeaIO** prior to installing hardware. After installing the software, connect the USB cable to the **SeaPORT PLC-16** with the other end connecting to any Upstream Type "A" USB port. The port can be either the PC host or an upstream hub. When connected and properly enumerated, the device's enable LED will come on. The device will not open properly until it has been enumerated by the operating system.

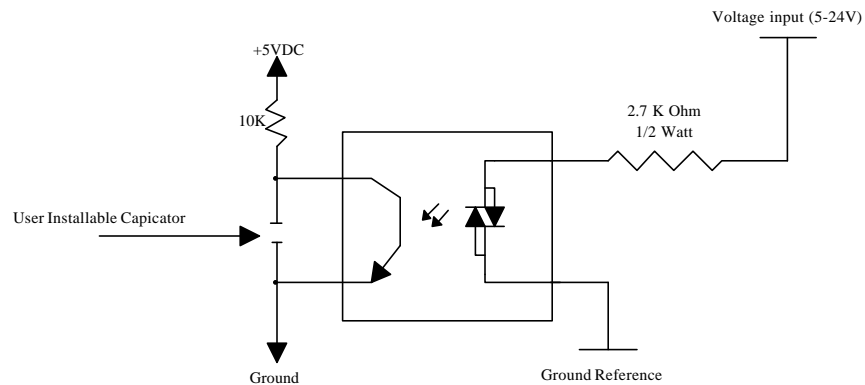
## Technical Description

The **SeaPORT ISO-16** provides two parallel input ports. The ports are organized as ports A, and B. The **SeaPORT ISO-16** is a line-powered device requiring a USB port capable of sourcing 500 mA.

### Features

#### Digital Inputs

- Number of inputs: Sixteen.
- Type: Non-polarized, optically isolated from each other and from the computer.
- Voltage Range: 0 to 24V DC or AC.



*Figure 1: Input Wiring*

#### Digital Input Port

Port A is an 8 bit input port connected to optically isolated input sensors. Each sensor can be used to interface a voltage input and then sense whether the voltage is on or off. Each sensor is isolated (with respect to a common ground) from every other sensor, and also isolated with respect to the host PC ground. This means that signals such as low-level AC line voltage, motor servo voltage, and control relay signals can be 'sensed', or read by the PC, without the risk of damage due to ground loops or ground faults.

Each sensor input pair has a current limiting resistor (2.7K ohm) that is used to limit the input current to the opto-isolator. A current path is required to 'turn-on' the sensor.

The opto-isolator has two 'back-to-back' diodes internally. This allows AC or DC signals to be sensed, regardless of polarity.

---

## Turn-On Voltage

The opto-isolator requires approximately 1 mA to turn on. The maximum input current is 60 mA. Adding additional resistors to the input current limiting resistor can increase the voltage to be sensed. Two things to consider when selecting additional input resistance:

1. Turn on voltage for the circuit to sense.
2. The maximum input voltage. Maximum input voltage is a function of power. The resistor must not allow the opto-isolator to be overdriven. The following formulas apply:

Turn on current: 1 mA

Isolator diode drop: 1.1 V

Resistor power Max: 1/2 W

Turn on Voltage = diode drop + (turn on current) x (resistance)

Maximum voltage = square root of (resistor value \* resistor power)

Default Configuration :

Input Turn on Voltage =  $1.1V + 0.001A * 2700ohm = 3.8 VDC$

Current Draw =  $(Voltage - 1.1) / 2700$

1 mA @ 3.8 VDC

4 mA @ 12 VDC

8.5 mA @ 24 VDC

Absolute Max Voltage (Inputs) =

square root of  $(2700ohm * 0.5w) = 36VDC$

**The input circuits are not for monitoring 120-volt AC circuits.**

## Programming

### Application Programmers Interface (API)

Most modern operating systems do not allow direct hardware access. The SeaIO driver and API have been included to provide control over the hardware in Windows. The purpose of this section of the manual is to help the customer with the mapping of the API to the actual I/O and relays for the **SeaPORT ISO-16** specifically. Complete documentation of the API can be found in the SeaI/O help file.

### Serial String

Each device has an eight digit alphanumeric serial string stored in non-volatile memory. On the Windows platforms, this number is used to give each unit a separate identity. This identity allows the device to be moved to any USB port or hub port on your computer while retaining its device number. If a device becomes damaged and is replaced the new device should be given the same serial string as the device it is replacing. This string is stored in a EEPROM along with other critical information. This EEPROM is read during enumeration. The device should not be unplugged during its enumeration due to remote possibility that the data in the EEPROM could be corrupted if power is removed during a read/write cycle to the EEPROM. Enumerator is complete when the LED is lit.

The control panel utility provides the capability to read or modify this string. However, **setting the same string for two units will cause the second unit to fail enumeration, and make it invisible to the operating system.** Should this occur, unplug one unit and set the serial string for the other unit to a different string.

### Relative Addressing vs. Absolute Addressing

The SeaIO API makes a distinction between “absolute” and “relative” addressing modes. In absolute addressing mode, the Port argument to the API function acts as a simple byte offset from the base I/O address of the device. For instance, Port #0 refers to the I/O 0; Port #1 refers to the I/O address 1.

Relative addressing mode, on the other hand, refers to input and output ports in a logical fashion. With a Port argument of 0 and an API function meant to output data, the first (0th) output port on the device will be utilized. Likewise, with a Port argument of 0 and an API function designed to input data, the first (0th) input port of the device will be utilized.

In all addressing modes, port numbers are zero-indexed; that is, the first port is port #0, the second port is #1, the third #2, and so on.

### 3<sup>rd</sup> Party Software Support

Third party software support for many HMI/MMI and other process control software is included on the product installation CD. For the most up to date information on third party software support, please visit <http://www.sealevel.com/3rdpartysw.htm>.



**Tables: API Port/bit reference numbers for Absolute and Relative Addressing**

R = Read  
 W = Write  
 R/W = Read or Write

*Figure 2: Addressing Tables*

Port	API Port # Absolute Address (function)	API Port # Relative Address (function)	Port Type
A	0 ( R )	0 ( R )	Input Port (Opto Input)
B	1 ( R )	1 ( R )	Input Port (Opto Input)

API Bit # Absolute Address (function)	API Bit # Relative Address (function)	Port Bit
0 ( R )	0 ( R )	A0 - Input
1 ( R )	1 ( R )	A1 - Input
2 ( R )	2 ( R )	A2 - Input
3 ( R )	3 ( R )	A3 - Input
4 ( R )	4 ( R )	A4 - Input
5 ( R )	5 ( R )	A5 - Input
6 ( R )	6 ( R )	A6 - Input
7 ( R )	7 ( R )	A7 - Input
8 ( R )	0 ( R )	B0 – Input
9 ( R )	1 ( R )	B1 – Input
10 ( R )	2 ( R )	B2 – Input
11 ( R )	3 ( R )	B3 – Input
12 ( R )	4 ( R )	B4 – Input
13 ( R )	5 ( R )	B5 – Input
14 ( R )	6 ( R )	B6 – Input
15 ( R )	7 ( R )	B7 – Input



---

## Specifications

### Environmental Specifications

Specification	Operating	Storage
Temperature Range	0° to 50° C (32° to 122° F)	-20° to 70° C (-4° to 158° F)
Humidity Range	10 to 90% R.H. Non-Condensing	10 to 90% R.H. Non-Condensing

### Power Consumption

Supply line	+5 VDC
Rating	500 mA

### Mean Time Between Failures (MTBF)

Greater than 150,000 hours. (Calculated)

## Appendix A - Troubleshooting

Following these simple steps can eliminate most common problems.

Install software **first**. After installing the software then proceed to adding the hardware. This places the required installation files in the correct locations.

1. Read this manual thoroughly before attempting to install the adapter in your system.
2. Use Device Manager under Windows to verify proper installation.
3. Use the SeaIO control panel applet for card identification and configuration.

If these steps do not solve your problem, please call Sealevel Systems' Technical Support, (864) 843-4343. Our technical support is free and available from 8:00AM-5PM Eastern Time Monday through Friday.

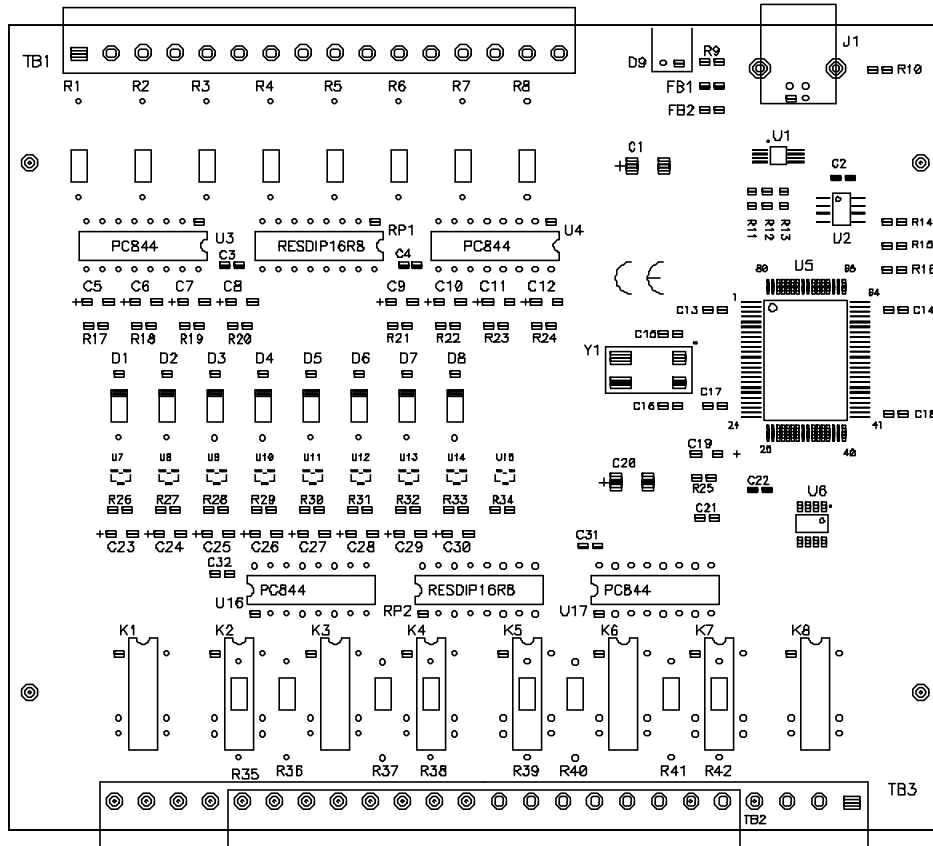
## Appendix B - How To Get Assistance

Please refer to Troubleshooting Guide prior to calling Technical Support.

1. Begin by reading through the Trouble Shooting Guide in Appendix A. If assistance is still needed please see below.
2. When calling for technical assistance, please have your user manual and current adapter settings. If possible, please have the adapter installed in a computer ready to run diagnostics.
3. Sealevel Systems provides an FAQ section on its web site. Please refer to this to answer many common questions. This section can be found at <http://www.sealevel.com/faq.htm>.
4. Visit Sealevel's website at [www.sealevel.com](http://www.sealevel.com) for the latest software updates and newest manuals.
5. Technical support is available Monday to Friday from 8:00 a.m. to 5:00 p.m. eastern time. Technical support can be reached at (864) 843-4343.

**RETURN AUTHORIZATION MUST BE OBTAINED FROM SEALEVEL SYSTEMS BEFORE RETURNED MERCHANDISE WILL BE ACCEPTED. AUTHORIZATION CAN BE OBTAINED BY CALLING SEALEVEL SYSTEMS AND REQUESTING A RETURN MERCHANDISE AUTHORIZATION (RMA) NUMBER.**

### Appendix C - Silk-Screen



## Appendix D - Compliance Notices

### Federal Communications Commission Statement

FCC - This equipment has been tested and found to comply with the limits for Class A digital device, pursuant to Part 15 of the FCC Rules. These limits are designed to provide reasonable protection against harmful interference when the equipment is operated in a commercial environment. This equipment generates, uses, and can radiate radio frequency energy and, if not installed and used in accordance with the instruction manual, may cause harmful interference to radio communications. Operation of this equipment in a residential area is likely to cause harmful interference. In such case the user will be required to correct the interference at his own expense.

### EMC Directive Statement



Products bearing the CE Label fulfill the requirements of the EMC directive (89/336/EEC) and of the low-voltage directive (73/23/EEC) issued by the European Commission.

To obey these directives, the following European standards must be met:

- **EN55022 Class A** - "Limits and methods of measurement of radio interference characteristics of information technology equipment"
- **EN55024** - 'Information technology equipment Immunity characteristics Limits and methods of measurement'
- **EN60950 (IEC950)** - "Safety of information technology equipment, including electrical business equipment"

#### Warning

**This is a Class A Product. In a domestic environment this product may cause radio interference in which case the user may be required to take adequate measures.**

Always use cabling provided with this product if possible. If no cable is provided or if an alternate cable is required, use high quality shielded cabling to maintain compliance with FCC/EMC directives.

## Warranty



Sealevel Systems, Inc. provides a limited lifetime warranty. Should this product fail to be in good working order at any time during this period, Sealevel Systems will, at its option, replace or repair it at no additional charge except as set forth in the following terms. This warranty does not apply to products damaged by misuse, modifications, accident or disaster.

Sealevel Systems assumes no liability for any damages, lost profits, lost savings or any other incidental or consequential damage resulting from the use, misuse of, or inability to use this product. Sealevel Systems will not be liable for any claim made by any other related party.

**RETURN AUTHORIZATION MUST BE OBTAINED FROM SEALEVEL SYSTEMS BEFORE RETURNED MERCHANDISE WILL BE ACCEPTED. AUTHORIZATION CAN BE OBTAINED BY CALLING SEALEVEL SYSTEMS AND REQUESTING A RETURN MERCHANDISE AUTHORIZATION (RMA) NUMBER.**

**Sealevel Systems, Incorporated**  
**155 Technology Place**  
**P.O. Box 830**  
**Liberty, SC 29657 USA**  
**(864) 843-4343 FAX:(864) 843-3067**  
**www.sealevel.com**  
email: support@sealevel.com

Technical Support is available from 8 a.m. to 5 p.m. Eastern time.  
Monday - Friday

---

### Trademarks

Sealevel Systems, Incorporated acknowledges that all trademarks referenced in this manual are the service mark, trademark, or registered trademark of the respective company.

**SEAPORT ISO-16** is a trademark of Sealevel Systems, Incorporated.