

Features

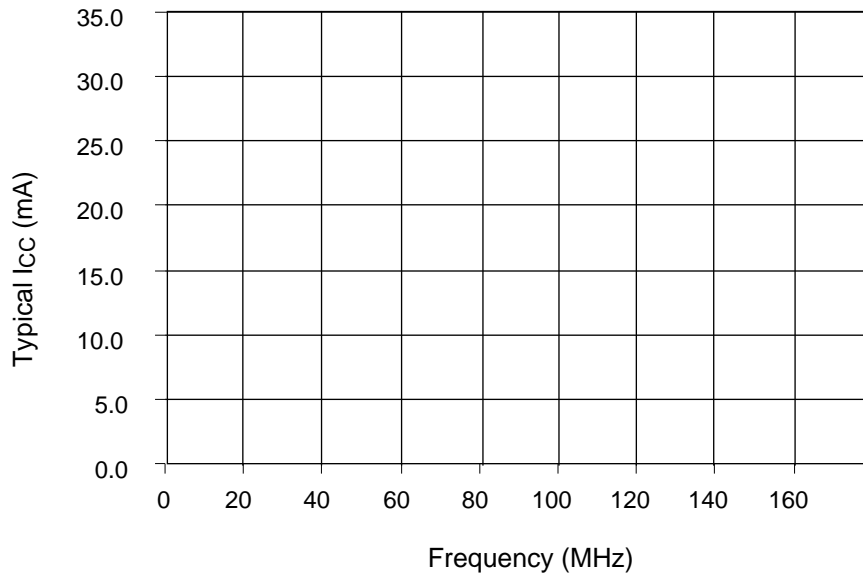
- 5.0 ns pin-to-pin logic delays
- System frequencies up to 175 MHz
- 32 macrocells with 800 usable gates
- Available in small footprint packages
 - 48-ball CS BGA (36 user I/O pins)
 - 44-pin VQFP (36 user I/O)
 - 44-pin PLCC (36 user I/O)
- Optimized for 3.3V systems
 - Ultra-low power operation
 - 5V tolerant I/O pins with 3.3V core supply
 - Advanced 0.35 micron five metal layer reprogrammable process
 - FZP™ CMOS design technology
- Advanced system features
 - In-system programming
 - Input registers
 - Predictable timing model
 - Up to 23 available clocks per function block
 - Excellent pin retention during design changes
 - Full IEEE Standard 1149.1 boundary-scan (JTAG)
 - Four global clocks
 - Eight product term control terms per function block
- Fast ISP programming times
- Port Enable pin for dual function of JTAG ISP pins
- 2.7V to 3.6V supply voltage at industrial temperature range
- Programmable slew rate control per macrocell
- Security bit prevents unauthorized access
- Refer to XPLA3 family data sheet (DS012) for architecture description

Description

The XCR3032XL is a 3.3V, 32-macrocell CPLD targeted at power sensitive designs that require leading edge programmable logic solutions. A total of two function blocks provide 800 usable gates. Pin-to-pin propagation delays are 5.0 ns with a maximum system frequency of 175 MHz.

TotalCMOS™ Design Technique for Fast Zero Power

Xilinx offers a TotalCMOS CPLD, both in process technology and design technique. Xilinx employs a cascade of CMOS gates to implement its sum of products instead of the traditional sense amp approach. This CMOS gate implementation allows Xilinx to offer CPLDs that are both high performance and low power, breaking the paradigm that to have low power, you must have low performance. Refer to [Figure 1](#) and [Table 1](#) showing the I_{CC} vs. Frequency of our XCR3032XL TotalCMOS CPLD (data taken with two up/down, loadable 16-bit counters at 3.3V, 25°C).



DS023_01_092500

Figure 1: I_{CC} vs. Frequency at $V_{CC} = 3.3V$, $25^{\circ}C$ Table 1: I_{CC} vs. Frequency ($V_{CC} = 3.3V$, $25^{\circ}C$)

Frequency (MHz)	0	1	5	10	20	40	60	80	100	120	140
Typical I_{CC} (mA)	TBD	TBD	TBD	TBD	TBD	TBD	TBD	TBD	TBD	TBD	TBD

DC Electrical Characteristics Over Recommended Operating Conditions⁽¹⁾

Symbol	Parameter	Test Conditions	Min.	Max.	Unit
$V_{OH}^{(2)}$	Output High voltage	Commercial: $I_{OH} = -8$ mA	2.4	-	V
		Industrial: $I_{OH} = -6$ mA	2.4	-	V
		$I_{OH} = -500$ μA	90% V_{CC}	-	V
V_{OL}	Output Low voltage	$I_{OL} = 8$ mA	-	0.4	V
I_{IL}	Input leakage current	$V_{IN} = GND$ or V_{CC}	-10	10	μA
I_{IH}	I/O High-Z leakage current	$V_{IN} = GND$ or V_{CC}	-10	10	μA
I_{CCSB}	Standby current	$V_{CC} = 3.6V$	-	100	μA
I_{CC}	Dynamic current ^(3,4)	$f = 1$ MHz	-	TBD	mA
		$f = 50$ MHz	-	TBD	mA
C_{IN}	Input pin capacitance ⁽⁵⁾	$f = 1$ MHz	-	8	pF
C_{CLK}	Clock input capacitance ⁽⁵⁾	$f = 1$ MHz	-	12	pF
$C_{I/O}$	I/O pin capacitance ⁽⁵⁾	$f = 1$ MHz	-	10	pF

Notes:

1. See XPLA3 family data sheet (DS012) for recommended operating conditions.
2. See Figure 2 for typical V_{OH}/I_{OH} curve.
3. See Table 1, Figure 1 for typical values.
4. This parameter measured with a 16-bit, loadable up/down counter loaded into every function block, with all outputs disabled and unloaded. Inputs are tied to V_{CC} or ground. This parameter guaranteed by design and characterization, not testing.
5. Typical values, not tested.

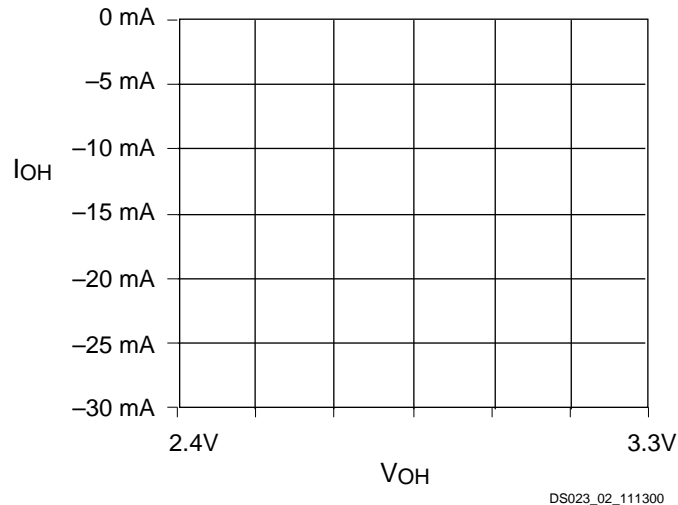


Figure 2: Typical V_{OH} vs. I_{OH} at 3.3V, $T_A = 25^\circ\text{C}$

AC Electrical Characteristics Over Recommended Operating Conditions^(1,2)

Symbol	Parameter	-5		-7		-10		Unit
		Min.	Max.	Min.	Max.	Min.	Max.	
T_{PD1}	Propagation delay time (single p-term)		4.5	-	7.0	-	9.1	ns
T_{PD2}	Propagation delay time (OR array) ⁽³⁾		5.0	-	7.5	-	10.0	ns
T_{CO}	Clock to output (global synchronous pin clock)		3.5		5.0	-	6.5	ns
$T_{SUF}^{(4)}$	Setup time fast	1.7	-	2.5	-	3.0	-	ns
$T_{SU}^{(4)}$	Setup time	3.5	-	4.8	-	6.3	-	ns
$T_H^{(4)}$	Hold time	0	-	0	-	0	-	ns
$T_{WLH}^{(4)}$	Global Clock pulse width (High or Low)	2.5	-	3.0	-	4.0	-	ns
$T_{tPLH}^{(4)}$	P-term clock pulse width	4.0	-	5.0	-	6.0	-	ns
$T_R^{(4)}$	Input rise time	-	20	-	20	-	20	ns
$T_L^{(4)}$	Input fall time	-	20	-	20	-	20	ns
$f_{SYSTEM}^{(4)}$	Maximum system frequency	-	175	-	119	-	95	MHz
$T_{CONFIG}^{(4)}$	Configuration time ⁽⁵⁾	-	20.0	-	20.0	-	20.0	μs
$T_{POE}^{(4)}$	P-term OE to output enabled	-	7.2	-	9.3	-	11.2	ns
$T_{POD}^{(4)}$	P-term OE to output disabled ⁽⁶⁾	-	7.2	-	9.3	-	11.2	ns
$T_{PCO}^{(4)}$	P-term clock to output	-	5.5	-	8.3	-	10.7	ns
$T_{PAO}^{(4)}$	P-term set/reset to output valid	-	6.5	-	9.3	-	11.2	ns

Notes:

1. Specifications measured with one output switching.
2. See XPLA3 family data sheet (DS012) for recommended operating conditions.
3. See Figure 4 for derating.
4. These parameters guaranteed by design and/or characterization, not testing.
5. Typical current draw during configuration is 7 mA at 3.6V.
6. Output $C_L = 5$ pF.

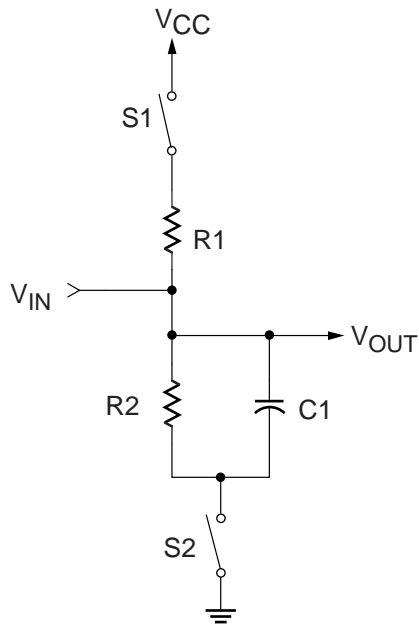
Internal Timing Parameters^(1,2)

Symbol	Parameter	-5		-7		-10		Unit
		Min.	Max.	Min.	Max.	Min.	Max.	
Buffer Delays								
T _{IN}	Input buffer delay	-	0.7	-	1.6	-	2.2	ns
T _{FIN}	Fast Input buffer delay	-	1.4	-	2.5	-	3.1	ns
T _{GCK}	Global Clock buffer delay	-	0.7	-	1.0	-	1.3	ns
T _{OUT}	Output buffer delay	-	1.8	-	2.7	-	3.6	ns
T _{EN}	Output buffer enable/disable delay	-	4.5	-	5.0	-	5.7	ns
Internal Register and Combinatorial Delays								
T _{LDI}	Latch transparent delay	-	1.3	-	1.6	-	2.0	ns
T _{SUI}	Register setup time	1.0	-	1.0	-	1.2	-	ns
T _{HI}	Register hold time	4.0	-	5.5	-	6.7	-	ns
T _{ECSU}	Register clock enable setup time	2.0	-	2.5	-	3.0	-	ns
T _{ECHO}	Register clock enable hold time	3.0	-	4.5	-	5.5	-	ns
T _{COI}	Register clock to output delay	-	1.0	-	1.3	-	1.6	ns
T _{AOI}	Register async. S/R to output delay	-	2.0	-	2.3	-	2.1	ns
T _{RAI}	Register async. recovery	-	3.5	-	5.0	-	6.0	ns
T _{LOGI1}	Internal logic delay (single p-term)	-	2.0	-	2.7	-	3.3	ns
T _{LOGI2}	Internal logic delay (PLA OR term)	-	2.5	-	3.2	-	4.2	ns
Feedback Delays								
T _F	ZIA delay	-	1.2	-	2.9	-	3.5	ns
Time Adders								
T _{LOGI3}	Fold-back NAND delay	-	2.0	-	2.5	-	3.0	ns
T _{UDA}	Universal delay	-	1.0	-	2.0	-	2.5	ns
T _{SLEW}	Slew rate limited delay	-	4.0	-	5.0	-	6.0	ns

Notes:

1. These parameters guaranteed by design and characterization, not testing.
2. See XPLA3 family data sheet (DS012) for timing model.

Switching Characteristics



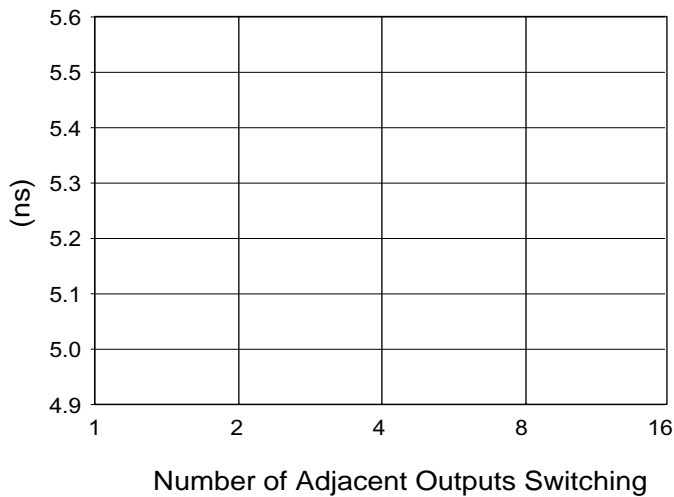
Component	Values
R1	390Ω
R2	390Ω
C1	35 pF

Measurement	S1	S2
T_{POE} (High)	Open	Closed
T_{POE} (Low)	Closed	Open
T_P	Closed	Closed

Note: For T_{POD} , $C1 = 5$ pF

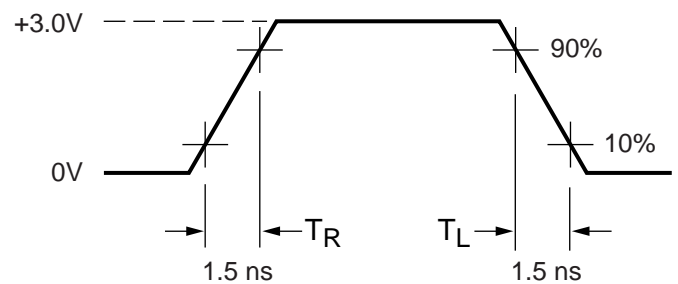
DS023_04_050200

Figure 3: AC Load Circuit



DS023_05_042800

Figure 4: Derating Curve for T_{PD2}



Measurements:

All circuit delays are measured at the +1.5V level of inputs and outputs, unless otherwise specified.

DS023_06_042800

Figure 5: Voltage Waveform

Pin Descriptions

Table 2: XCR3032XL I/O Pins

Function Block	Macrocell	PC44	VQ44	CS48
1	1	4	42	A2
1	2	5	43	A1
1	3	6	44	C4
1	4	7 ⁽¹⁾	1 ⁽¹⁾	B1 ⁽¹⁾
1	5	8	2	C2
1	6	9	3	C1
1	7	11	5	D3
1	8	12	6	D1
1	9	13 ⁽¹⁾	7 ⁽¹⁾	D2 ⁽¹⁾
1	10	14	8	E1
1	11	16	10	F1
1	12	17	11	G1
1	13	18	12	E4
1	14	19	13	F2
1	15	20	14	G2
1	16	21	15	F3
2	1	41	35	C5
2	2	40	34	A6
2	3	39	33	B6
2	4	38 ⁽¹⁾	32 ⁽¹⁾	B7 ⁽¹⁾
2	5	37	31	D4
2	6	36	30	C6
2	7	34	28	D6
2	8	33	27	D7
2	9	32 ⁽¹⁾	26 ⁽¹⁾	E5 ⁽¹⁾
2	10	31	25	E7
2	11	29	23	F7
2	12	28	22	G7
2	13	27	21	G6
2	14	26	20	F5
2	15	25	19	G5
2	16	24	18	F4

Notes:

- JTAG pins

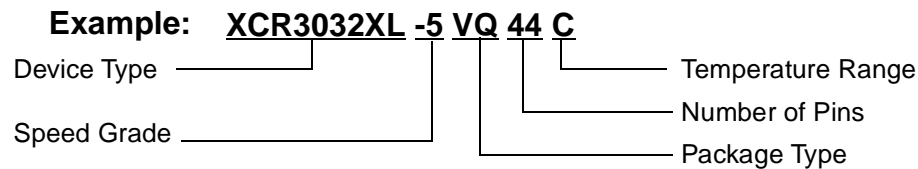
Table 3: XCR3032XL Global, JTAG, Port Enable, Power, and No Connect Pins

Pin Type	PC44	VQ44	CS48
IN0 / CLK0	2	40	A3
IN1 / CLK1	1	39	B4
IN2 / CLK2	44	38	A4
IN3 / CLK3	43	37	B5
TCK	32	26	E5
TDI	7	1	B1
TDO	38	32	B7
TMS	13	7	D2
PORT_EN	10 ⁽¹⁾	4 ⁽¹⁾	C3 ⁽¹⁾
V _{CC}	3, 15, 23, 35	9, 17, 29, 41	B3, C7, E2, G4
GND	22, 30, 42	16, 24, 36	A5, E3, E6
No Connects	-	-	A7, B2, F6, G3

Notes:

- Port Enable is brought High to enable JTAG pins when JTAG pins are used as I/O. See family data sheet for full explanation.

Ordering Information



Device Ordering Options

Speed		Package		Temperature	
-10	10 ns pin-to-pin delay	PC44	44-pin Plastic Lead Chip Carrier (PLCC)	C = Commercial	T _A = 0°C to +70°C V _{CC} = 3.0V to 3.6V
-7	7.5 ns pin-to-pin delay	VQ44	44-pin Very Thin Quad Flat Pack (VQFP)	I = Industrial	T _A = -40°C to +85°C V _{CC} = 2.7V to 3.6V
-5	5 ns pin-to-pin delay	CS48	48-ball Chip Scale Package		

Component Availability

Pins		44	44	48
Type		Plastic PLCC	Plastic VQFP	Plastic BGA
Code		PC44	VQ44	CS48
XCR3032XL	-5	C	C	C
	-7, -10	C,I	C,I	C,I

Revision History

The following table shows the revision history for this document.

Date	Version	Revision
11/18/00	1.0	Initial Xilinx release.
02/05/01	1.1	Removed Timing model.