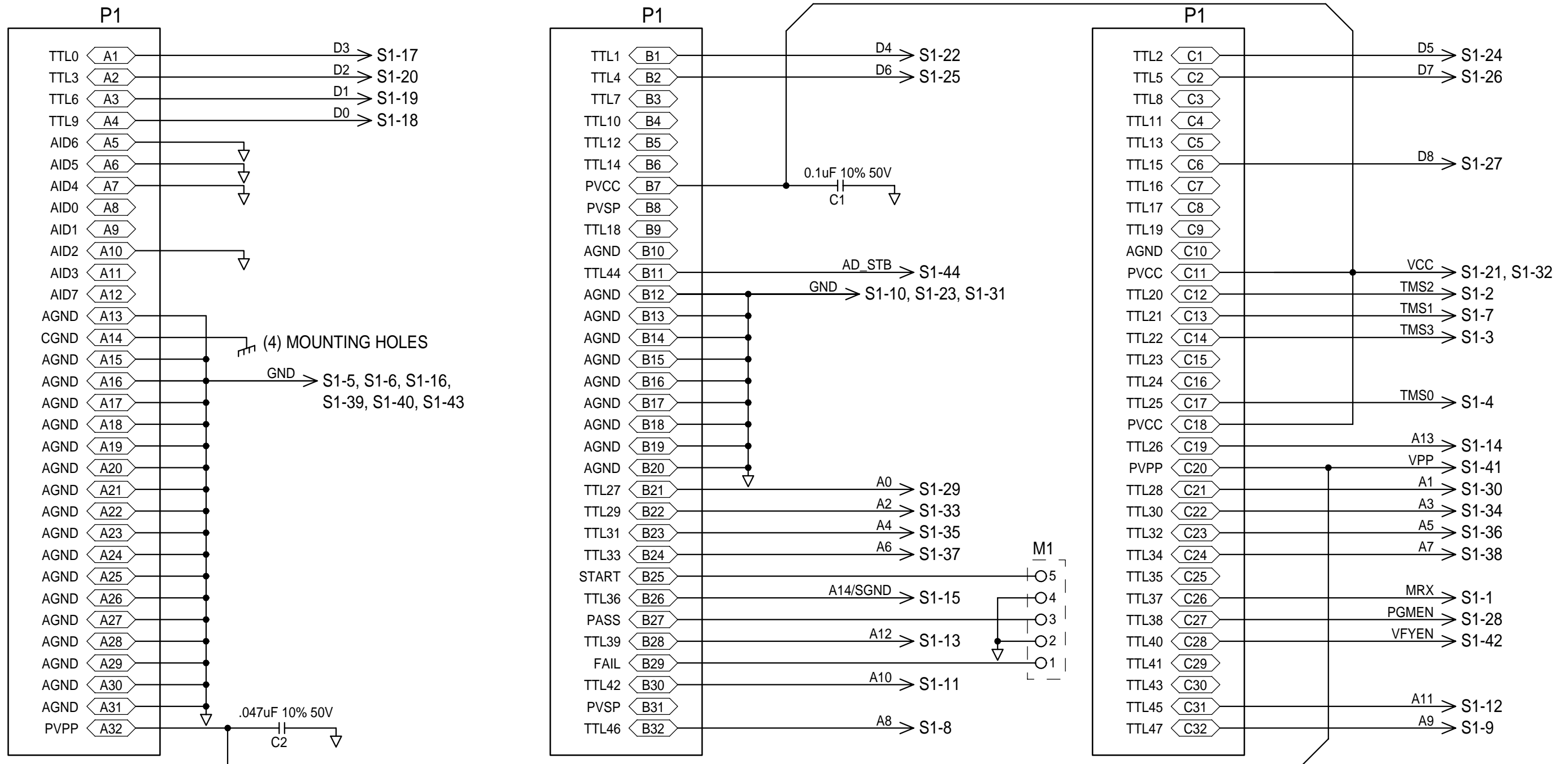
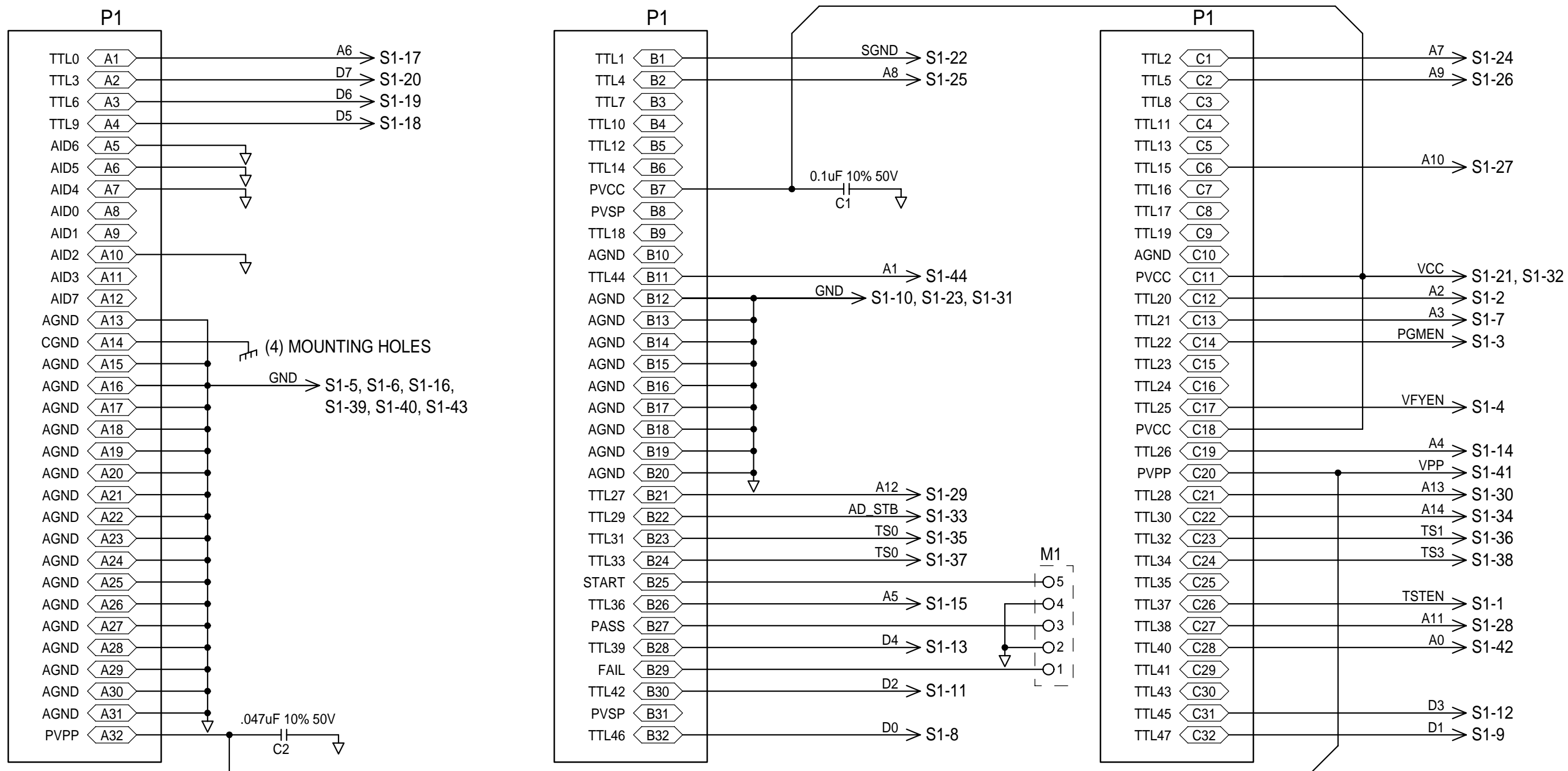


ZONE	REV	REVISION DESCRIPTION	DATE	DRAWN	CHECK	APPVD
	01	INITIAL RELEASE PER DCN 6629	3/27/95	EWR		FE
	02	CHANGE PER DCN 7106	7/18/95	JWS		ZZ
	03	CHANGE PER DCN #7451	9/26/95	EWR		ZZ



- NOTES:
1. P1 is a 96-pin male connector, 3 rows (A,B,C) of 32 pins.
 2. S1 is a 44 pin PLCC "live bug" Socket.
 3. M1 are connection pads for an autohandler.
 4. Board ID is 8B hex, 1000 1011 bin, 139 dec.
 5. Signal names for XC7354/XC7336

		TITLE	
		SCHEMATIC, 0430842 HW-133-PC44 ADAPTER	
DRAWN BY EWR/Resler		DATE 3/23/95	
CHECKED BY JWS		DATE 3/27/95	
ENG APPROVAL EWR		DATE 3/28/95	
MFG APPROVAL FE		DATE 3/28/95	
FSCM 68994		PROJECT: HW130	
TOLERANCES		SIZE	DRAWING NUMBER
\triangle .X .XX .XXX <small>Unless otherwise specified, dimensions are in inches.</small>		B	0380425
		SCALE NONE	SHEET 1 OF 2
			REV. 04



NOTES:

1. P1 is a 96-pin male connector, 3 rows (A,B,C) of 32 pins.
2. S1 is a 44 pin PLCC "live bug" Socket.
3. M1 are connection pads for an autohandler.
4. Board ID is 8B hex, 1000 1011 bin, 139 dec.
5. Signal names for XC9572 & XC9572F. The physical traces are the same, only the names have changed.



TITLE
SCHEMATIC, 0430842
HW-133-PC44 ADAPTER

DRAWN BY EWRResler DATE 11/27/96

PROJECT: HW130

CHECKED BY DATE

SIZE DRAWING NUMBER REV.

ENG APPROVAL DATE

B 0380425 04

MFG APPROVAL DATE

SCALE NONE SHEET 2 OF 2

TOLERANCES

∠	.X	.XX	.XXX
---	----	-----	------

Unless otherwise specified, dimensions are in inches.

FSCM 68994