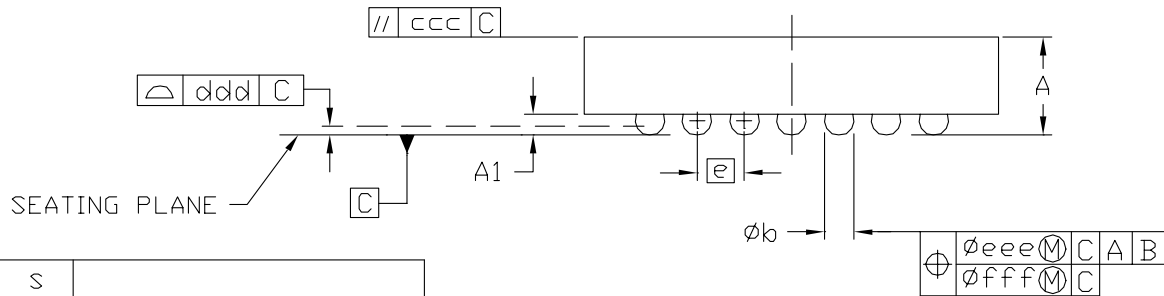
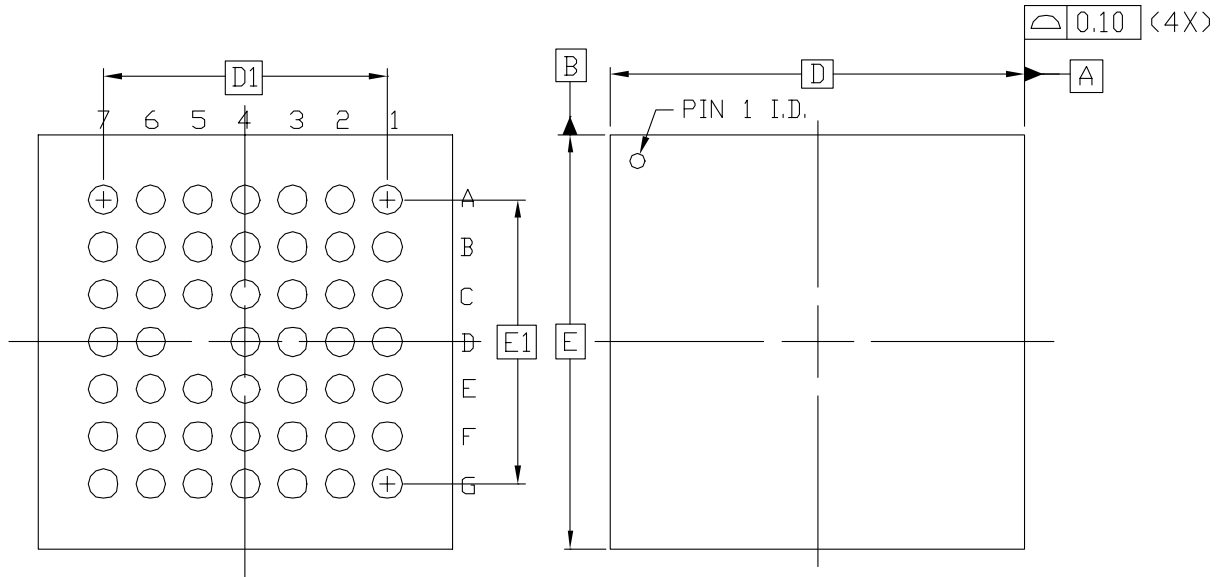


BOTTOM VIEW

TOP VIEW



SYMBOL	MILLIMETERS		
	MIN.	NOM.	MAX.
A	1.30	<i>~</i>	1.80
A ₁	0.35	0.40	0.45
D/E	7.00 BSC		
D ₁ /E ₁	4.80 BSC		
e	0.80 BSC		
φ _b	0.45	0.50	0.55
ccc	<i>~</i>	<i>~</i>	0.10
ddd	<i>~</i>	<i>~</i>	0.10
eee	<i>~</i>	<i>~</i>	0.15
fff	<i>~</i>	<i>~</i>	0.08
M	7		

NOTES:

1. ALL DIMENSIONING AND TOLERANCING CONFORM TO ANSI Y14.5M-1994
2. SYMBOL "M" IS THE PIN MATRIX SIZE.

48-BALL CHIP SCALE BGA (CS48)