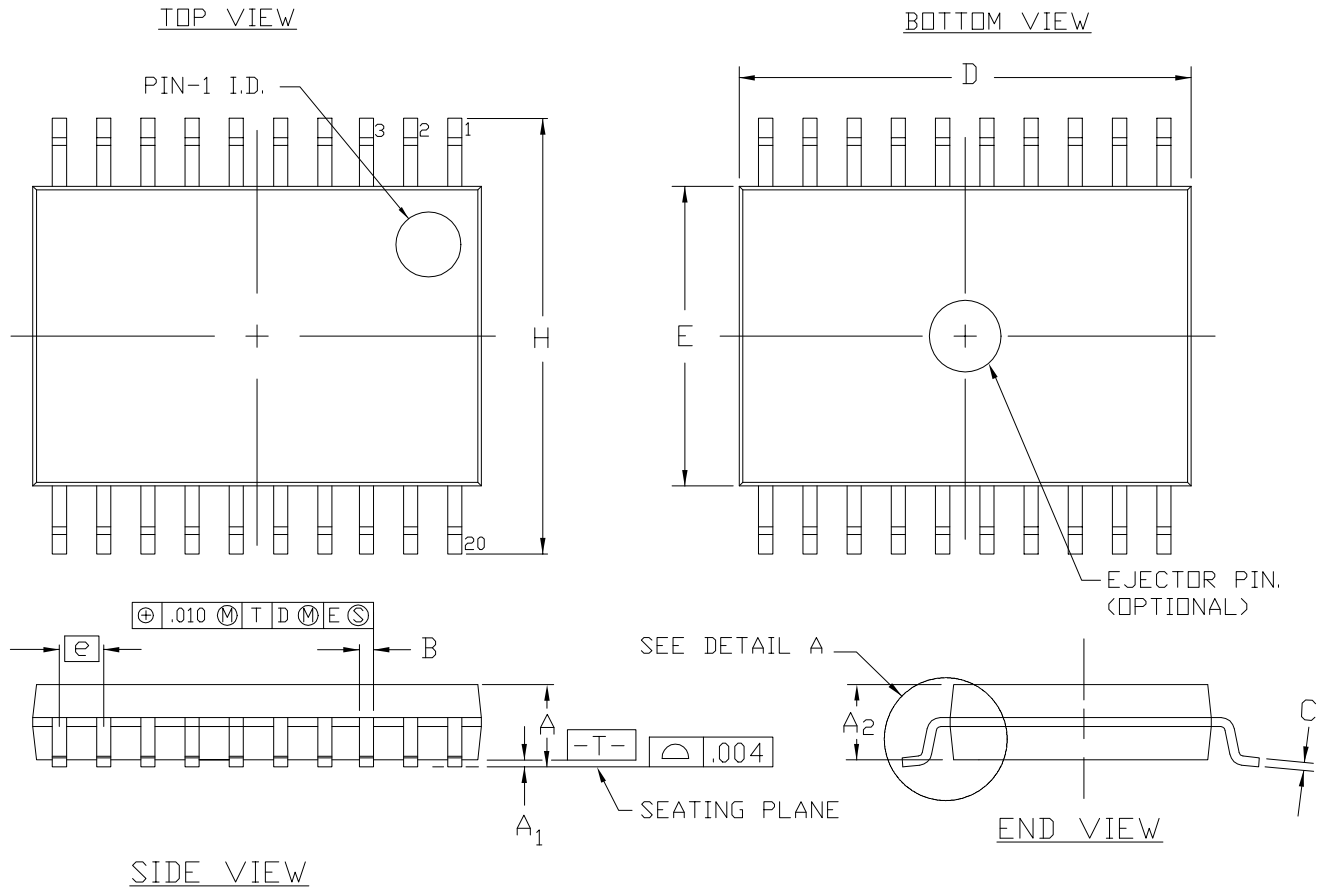


V020



SYMBOL	INCHES		
	MIN.	NOM.	MAX.
A	--	--	.047
A ₁	.002	.004	.006
A ₂	.031	--	.041
B	.007	--	.012
C	.004	--	.0079
D	.252	.256	.260
E	.169	.173	.176
e	.0256 BSC		
H	.244	.252	.260
L	.0197	.0236	.0295
α	0°	5°	8°

NOTES:

- ALL DIMENSIONS AND TOLERANCES CONFORM TO ANSI Y14.5M-1982.
- DIMENSION "D" DOES NOT INCLUDE MOLD PROTRUSION. ALLOWABLE MOLD PROTRUSION SHALL NOT EXCEED .006" PER SIDE.
- DIMENSION "E" DOES NOT INCLUDE MOLD PROTRUSION. ALLOWABLE MOLD PROTRUSION SHALL NOT EXCEED .010" PER SIDE.
- LEAD FINISH: SOLDER PLATE
- CONFORMS TO JEDEC MO-153-AC

CONFIDENTIAL

This document is the property of Xilinx Incorporated and contains information which is confidential and proprietary to Xilinx. No part of this document may be copied, reproduced or disclosed to third parties without the prior written consent of Xilinx Incorporated.



SIZE

A

DRAWING NUMBER

OPD0012

REV

01

SCALE NONE

SHEET 2 OF 2