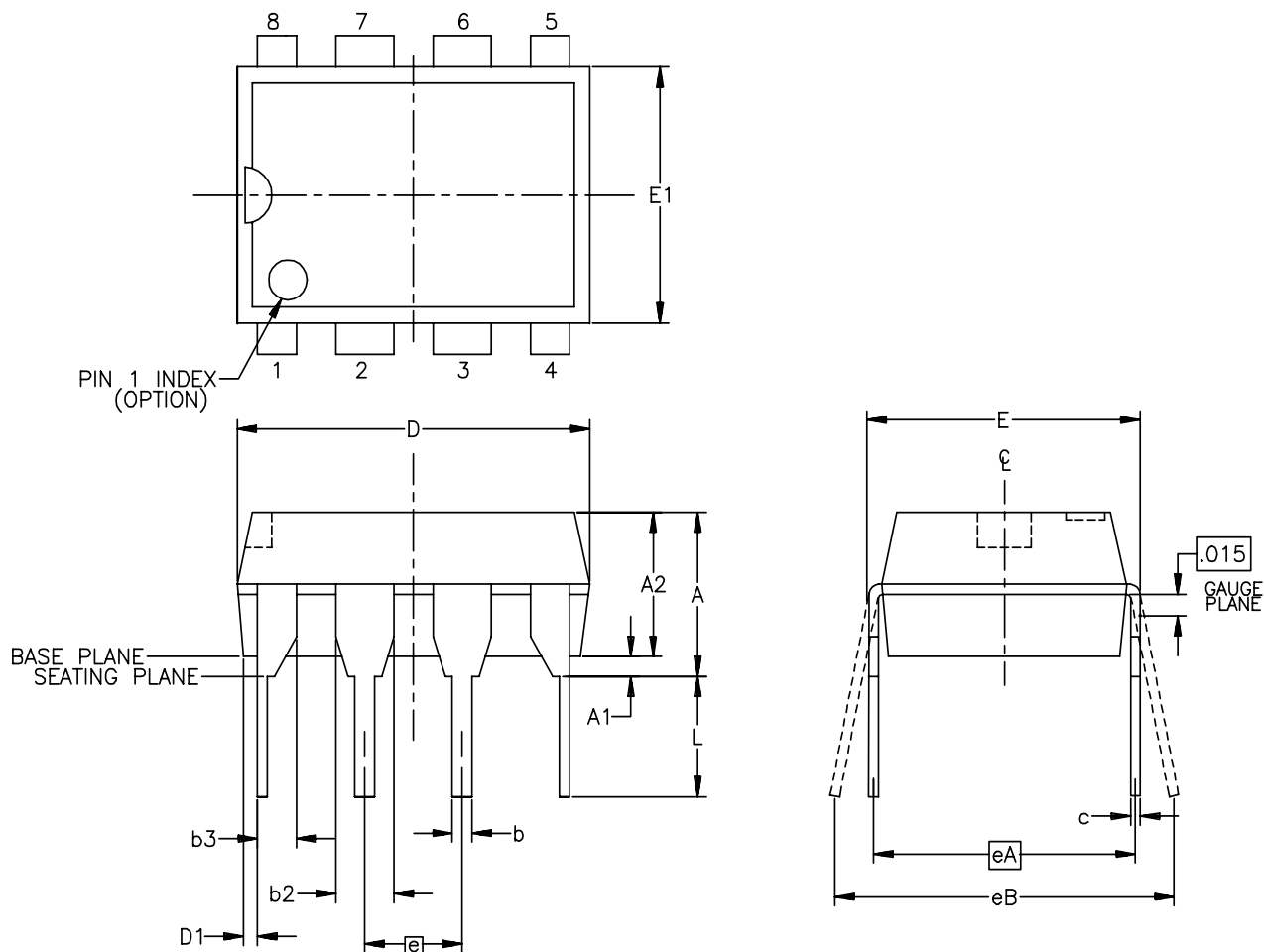


## Plastic DIP Package - PD8



SYMBOL	INCHES		NOTE
	MIN.	MAX.	
A	$\cancel{\text{---}}$	0.181	
A1	0.019	$\cancel{\text{---}}$	
A2	0.122	0.161	
b	0.014	0.022	
b2	0.045	$\cancel{\text{---}}$	
b3	$\cancel{\text{---}}$	0.045	
c	0.009	0.012	
D	0.355	0.382	
D1	0.005	$\cancel{\text{---}}$	
E	0.303	0.323	
E1	0.240	0.272	
e	0.100 BSC		
eA	0.300 BSC		
eB	$\cancel{\text{---}}$	0.430	
L	0.115	0.150	
N	8		

### NOTES:

1. ALL DIMENSIONS AND TOLERANCES CONFORM TO ANSI Y14.5M-1982.
2. DIMENSIONS "D" AND "E1" DO NOT INCLUDE MOLD PROTRUSIONS. ALLOWABLE MOLD PROTRUSION SHALL NOT EXCEED .010" PER SIDE.
3. LEAD FINISH: (85±5%)Sn-Pb SOLDER PLATE
4. CONFORMS TO JEDEC MS-001-BA

## 8-PIN PLASTIC DIP (PD8)