

(19)
(12)

(KR)
(B1)

(51) 。 Int. Cl.⁷
H04B 3/54

(45)
(11)
(24)

2003 08 27
10-0395991
2003 08 14

(21) 10-2001-0034333
(22) 2001 06 18

(65)
(43)

2002-0042398
2002 06 05

(30) 2000-366285 2000 11 30 (JP)

(73) 가 가 가 1048
가

(72) 가 가 1048 가 가

가 가 1048 가 가

가 가 1048 가 가

(74)

:

(54)

1			1		
2	1		(10)	PLCC	(1a)
3	1			PLCC	(1a 1b)
4	2	3			(5)
5	1			PLCC	(1c 1d)
6					(10a)
7			(100)		
8			2		
9	8		(200)	PLCC	(301a)
10	9		(301a)	CPU(2a)	
11	9		(200)	CPU(101)	
12			3		
13	12		(200)	PLCC	(401a)
14	13		(401a)	CPU(2a)	/

()
 1a,1b,1c,1d : PLCC 4 :
 5 : 7 : PLCC
 10 : 14 :
 20 : 30 :
 101 : CPU 102 :
 103 : 104 :
 105 : 106 :

(a) ; 1
 (b) ; 2
 (c) ; 1 2
 3
 가 ,
 가 DIP
 가 가 , ,
 가 , ,
 ('PLCC') , TV
 , PLCC

가 , 가 ,
DIP 가 ,
, TV 가 , 가
, PLCC 가 (a) (b) PLCC
, PLCC 가 - PLCC ,
. , , 5
(100) ,
() () , PLCC ,
가 가 가
- - ID
ID
가
가 가 가
, ,
, PLCC PLCC 가
, ,
(a) ; 1
(b) ; 2
(c) ; 1 2
3 ,
:

가

- (a) ;
- (b) ;
- (c) ;

- (a) ;
- (b) ;
- (c) ;

- (a) ;
- (b) ;
- (c) ;

- (a) ;
- (b) ;
- (c) ;

(e) (30) AC DC DC CPU(2)
 (4);
 (f) (10) , CPU(2)
 (3) (5);
 (g) (30) PLCC (7) (6);
 (h) PLCC CPU(2) PLCC (30) PLCC
 (7);
 (i) (9) (SW1) (8);
 (j) (30) (20) (SW1) (9)
 (5) (10) (105) (3) PLCC
 (SW1) PLCC
 PLCC :
 (a) (11);
 (b) PLCC (1b) CPU(2);
 (c) EEPROM (3);
 (d) (30) AC DC DC CPU(2)
 4);
 (e) (10) CP
 U(2) (3) (5);
 (f) (30) PLCC (7)
 (6);
 (g) PLCC CPU(2) PLCC (30) PLCC
 (7);
 (h) (SW2) / , CPU(2) (13)
 가 PLCC (1b) (2) PLCC (1a) (SW1)
 (SW2)가 (SW1) PLCC 가 (30)
) PLCC (1b) CPU(2) PLCC (1a) CPU(2)
 PLCC (1a) CPU(2) (8) (SW1)가
 4 2 3
 4 (5) (R)(voltage supply register)(52) (photot
 ransistor)(51) (51)
 CPU(2) 가 (5)
 (low power) 가 (bluetooth)
 PLCC
 5 1 PLCC (1c,1d)
 5 (21) PLCC (1c) (14) , PLCC (1c)
 (9) (SW3) PLCC (1c) 3 PLCC (1a)
 PLCC (1d) PLCC (1b) (SW2) (13)
 (14)
 가 PLCC (1d) (14) PLCC (1c) (SW3)
 (14)가 (SW3) PLCC
 (30) PLCC (1d) CPU(2) PLCC (1c) CPU(2) PLCC
 PLCC (1c) CPU(2) (8)
 SW3)
 PLCC (1c) CPU(2) (SW3)
 (3) "g
 oing out ", "sleeping "
 PLCC (1a,1b,1c,1d) (105)
 (5) PLCC
 (1a,1b,1c,1d) (10)

가 PLCC 가 PLCC
 PLCC PLCC PLCC
 PLCC / n-to-n (10) (103)
 PLCC PLCC PLCC
 가 가 가 PLCC
 PLCC 가 PLCC PLCC
 (10)
 PLCC PLCC PLCC
 (10) (1a)
 가 PLCC PLCC
 (10)
 (6) (10a) 2
 (10) (10a) :
 (a) PLCC (40) ;
 (b) (108) 가 PC
 6 (10a) RS-232C , USB (40)
 (107) CPU(101) (?) (40) PC (108)
 (102) 가 (103)
 가 가 (40) (107)
 (Ethernet)
 가 PC (108) (108) ROM (10a) RAM PC 가 PC (1
 08)가 PC (108)
 1 (14)가 가
 (8 2)
 1 2 :
 (a) PLCC (301a,301b,301c,301d) 2
 PLCC (301a,301b,301c,301d)
 (310) PLCC (301a,301b,301c,301d)
 PLCC (200)
 ;
 (b) , PLCC PLCC (200) PLCC (30
 1a,301b,301c,301d) PLCC
 8 , PLCC (301a,301b,301c,301d) 1 PLCC (1a,1
 b,1c,1d)

ID
 " PLCC (301a,301b,301c,301d) (non-volatile) ()

8 , PLCC (200) PLCC (301a,301b,301c,301d) (30)
 (SW1) 가 PLCC (301a) (30) (30)

, PLCC (301b) (21a) PLCC (301c) (SW1) (SW2) (S
 W3) PLCC (301c) (13) (13) (30) PLCC (301d) (S
 (14) (14)가 (SW3)가

9 8 PLCC (200) PLCC (301a)

9 , PLCC CPU(101), (102), (103), (104), (4),
 (6) PLCC (7) . PLCC (301a) CPU(2a), (3), ()
 (310) (5), (6), PLCC (7),
 (8), (9) (SW1), (11) (12)

(7), (6), (30), (6), PLCC (7), CPU(2a) PLCC CPU(101), PLCC
 (102) PLCC (301a) (3) PLCC (200)

10 9 PLCC (301a) CPU(2a)

10 S1 가 (5)

S2 S1 NO S1 S1 YES
 가 PLCC 가 PLCC (200) S3 CPU(2a)
 가 S5 가 S4 CPU(2a) PLCC
 S5 NO S7 PLCC (7) PLCC (200)
 S7 YES S7 NO S7 CPU(2a) S4 가
 PLCC 가 S8 NO CPU(2a) S5 YES

(3) PLCC (301b,301c,301d) PLCC (301a)

11 9 PLCC CPU(101)
 11 S11 CPU(101)
 PLCC (301a 301d) PLCC

S12 S13 NO S13 S13
 가 PLCC 가 S14 가 PLCC S13
 가 S13 YES S15 S16 가 PLCC
 (103) S17 PLCC
 PLCC S17 YES S13 S17 가
 NO

2 , 10 11
 PLCC (310a,301b, 301c,301d)
 PLCC (310a,301b,301c,301d)

(3)

12 3)
 2 , 3 :
 (a) (310)
 (b) PLCC (401a) ; / (/)
 (SW11) 가 PLCC (401a)가 (5) 가 PLCC ()
 301a) ;

(c) PLCC (401b) / (SW12)
 가 PLCC (401b)가 (5) 가 PLCC (301b) ;

(d) PLCC (401c) / (SW13)
 가 PLCC (401c)가 (5) 가 PLCC (301c) ;
 (e) PLCC (401d) / (SW14)
 가 PLCC (401d)가 (5) 가 PLCC (301d)

13 12 PLCC (200) PLCC (401a)

13 PLCC (401a) (SW11)
 (5) / (SW11)

PLCC PLCC (401a) PLCC (200) PLCC
 (401b,401c,401d) PLCC (401a)

14 13 PLCC (401a) CPU(2a) /

14 S21 NO S21 (SW11) /
 S21 CPU(2a) S21 S21 YES S2

2 S29 S22 YES S23 S22 NO S2
 PLCC (200) S24 CPU(2a) PLCC
 PLCC 가 S25 CPU(2a) PLCC 가
 S26 가 PLCC (7) PLCC (200)

S26 NO S28 NO S25 S28
 YES S28 NO S29 가 CPU(2a) PLCC 가 S28 P
 LCC 가 S27 가 / S26 YES

(3) PLCC (401a) PLCC P
 (401b,401c,401d) CPU(101) 11

LCC (200) CPU(101) 14 SW11 SW14 /
 3 11 PLCC (401a,401b,401c,401d) PLCC
 (401a,401b,401c,401d)

(57)

1.

(a) ; , 1

(b) ; , 2

(c) ; , 1 2 ,
 3 ,

2.

1 ,

2 3.

1 4.

5.

가

- (a) ; 1
- (b) ; 2
- (c) ; 1 2 3 ;

6.

- (a) ; 1
- (b) ; 2
- (c) ; 1 2 3 ;

7.

2 ; ;

6 7.

6 8.

9.

- (a) ; 1

(b) ; , 2

(c) ; , 1 2

3 ,

:

;

;

;

;

;

,

10.

9

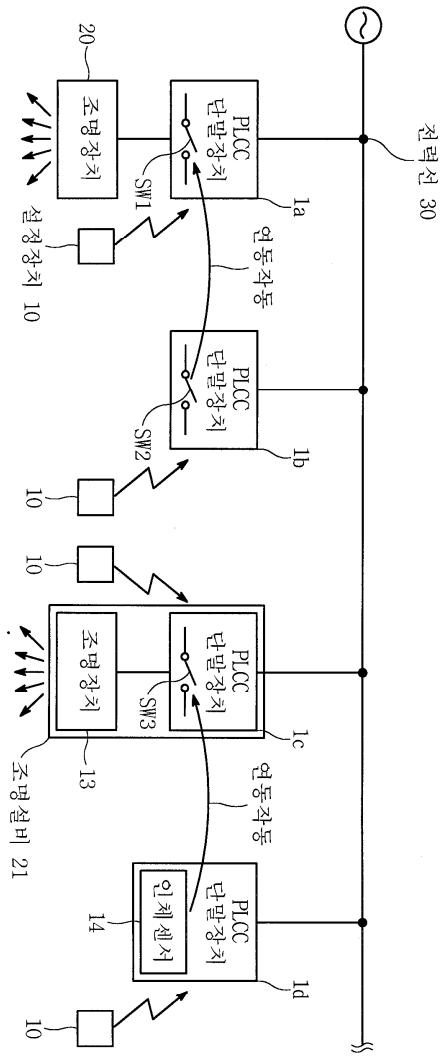
,

11.

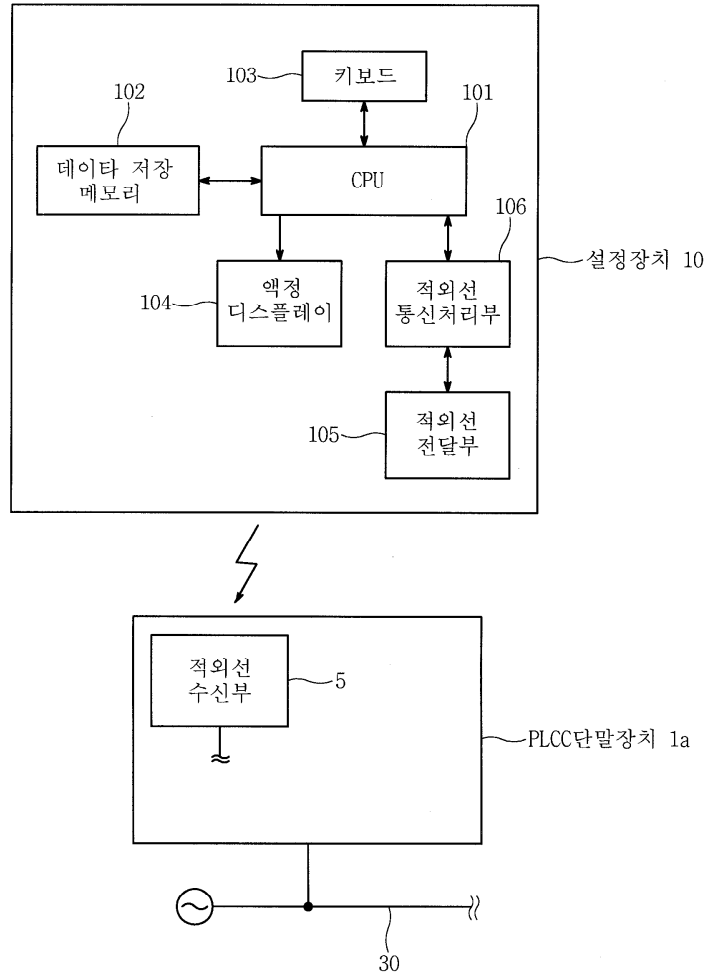
9

,

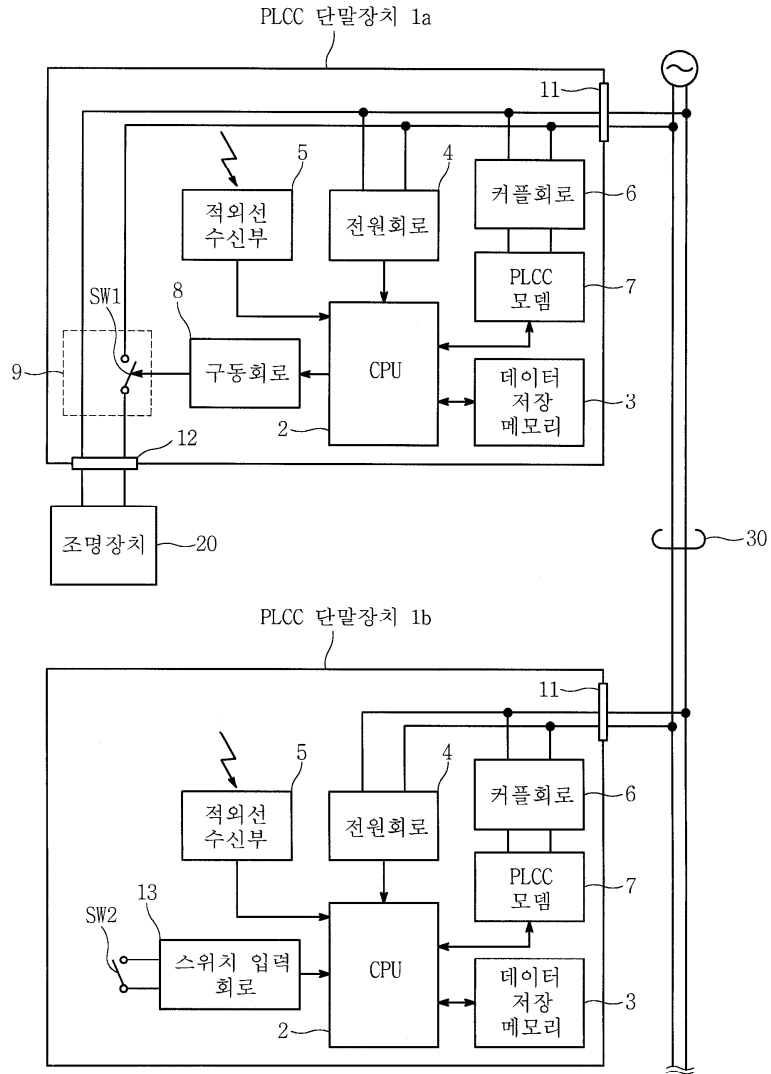
바람직한 제 1 실시예



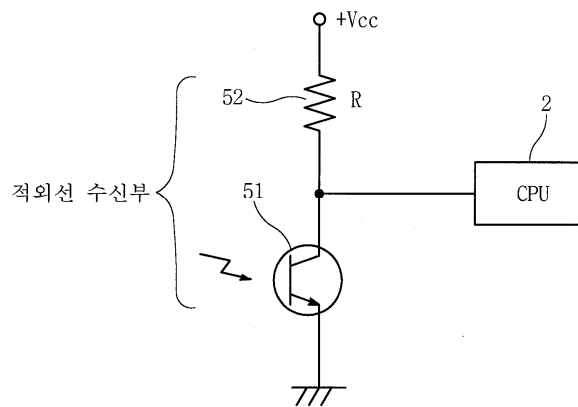
1



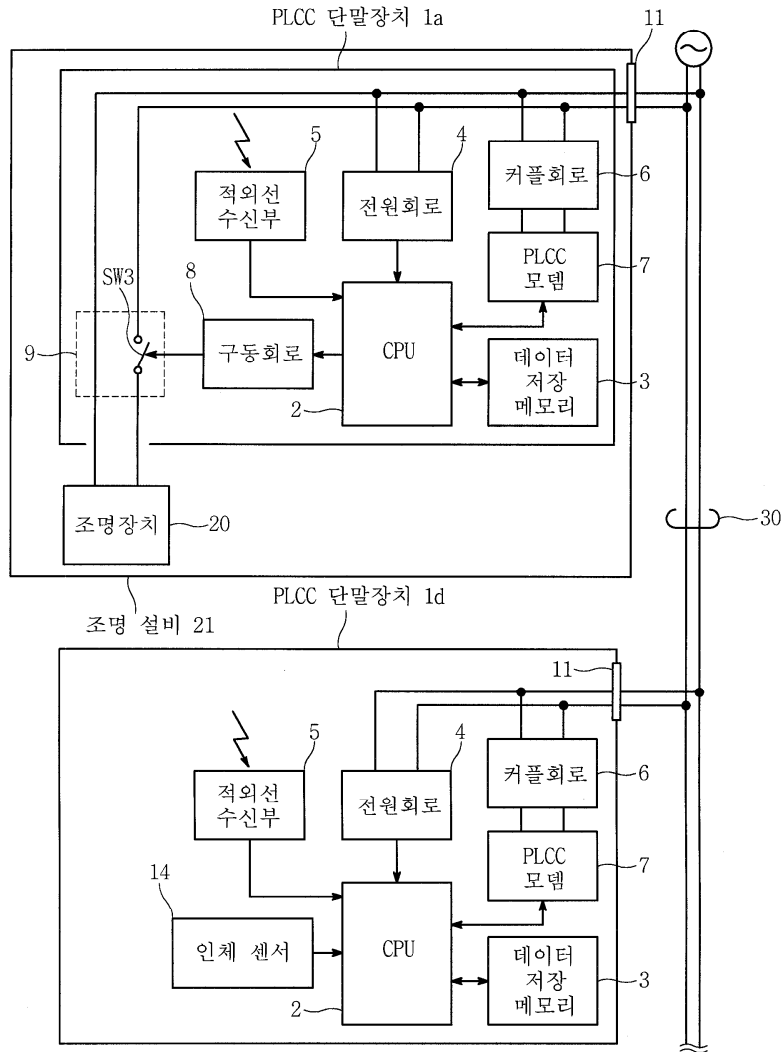
3



4

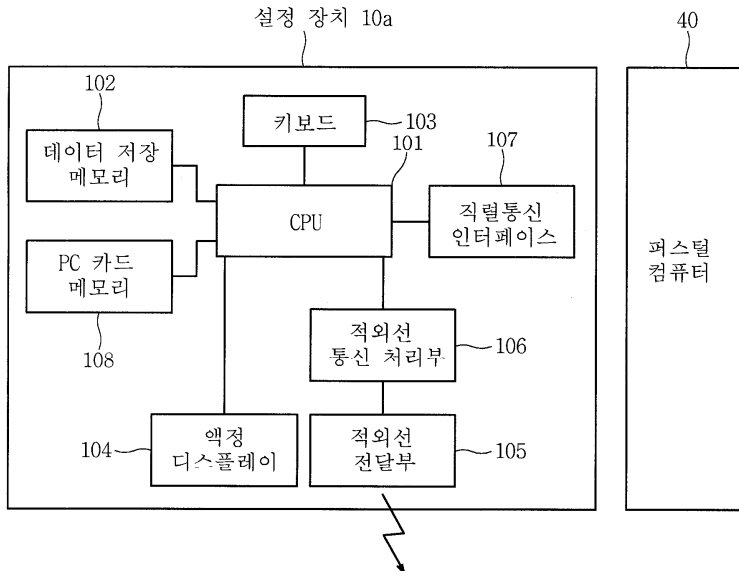


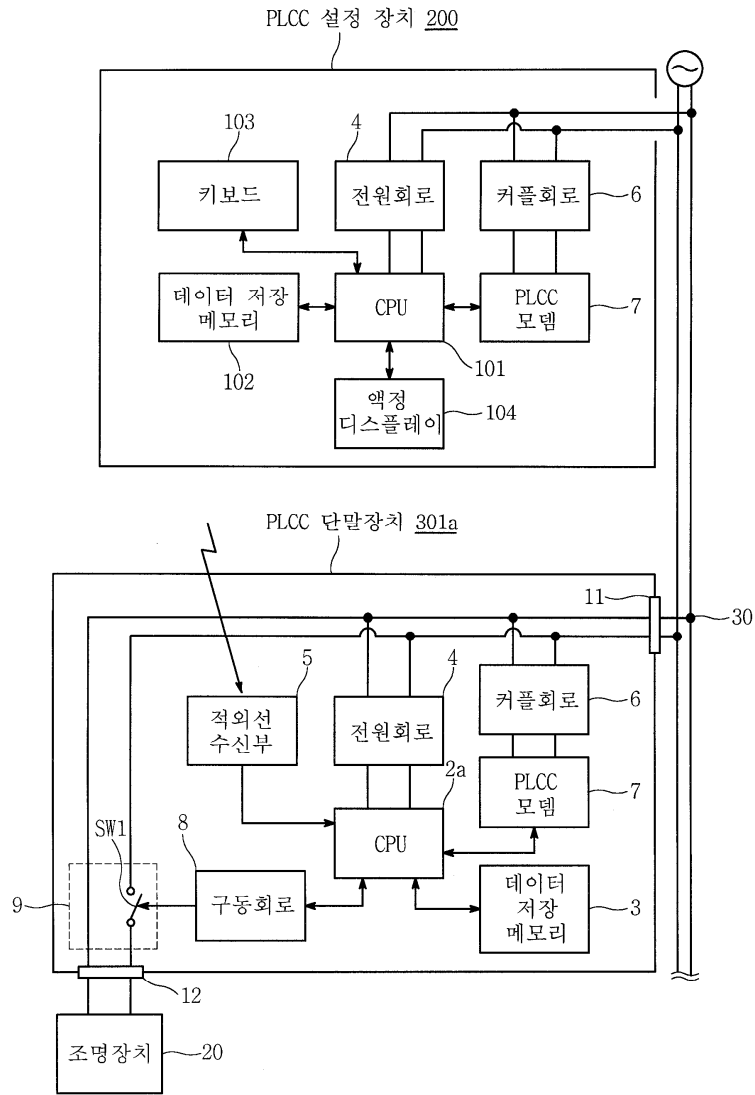
5

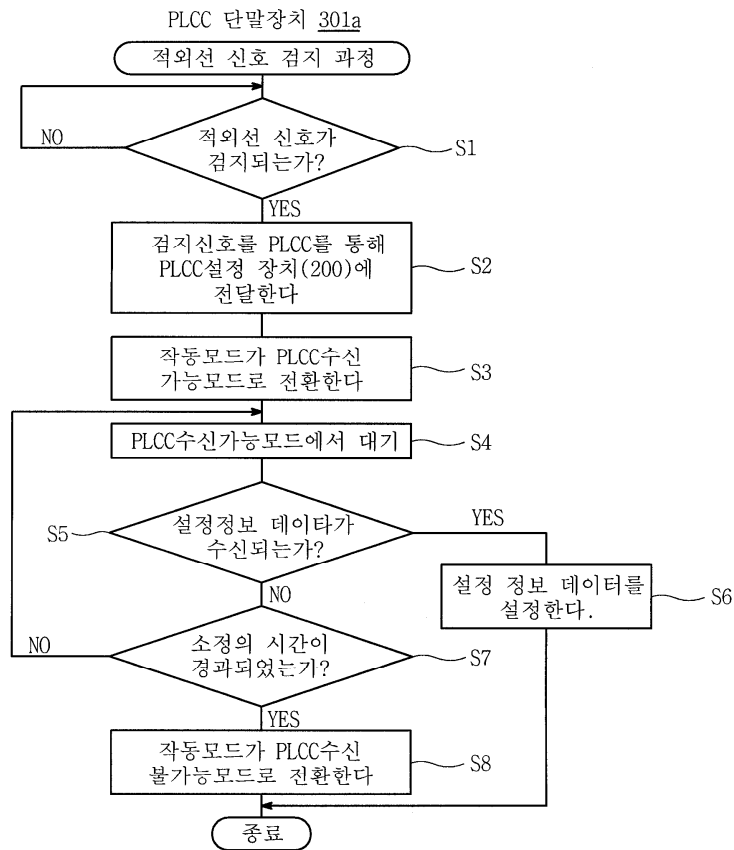


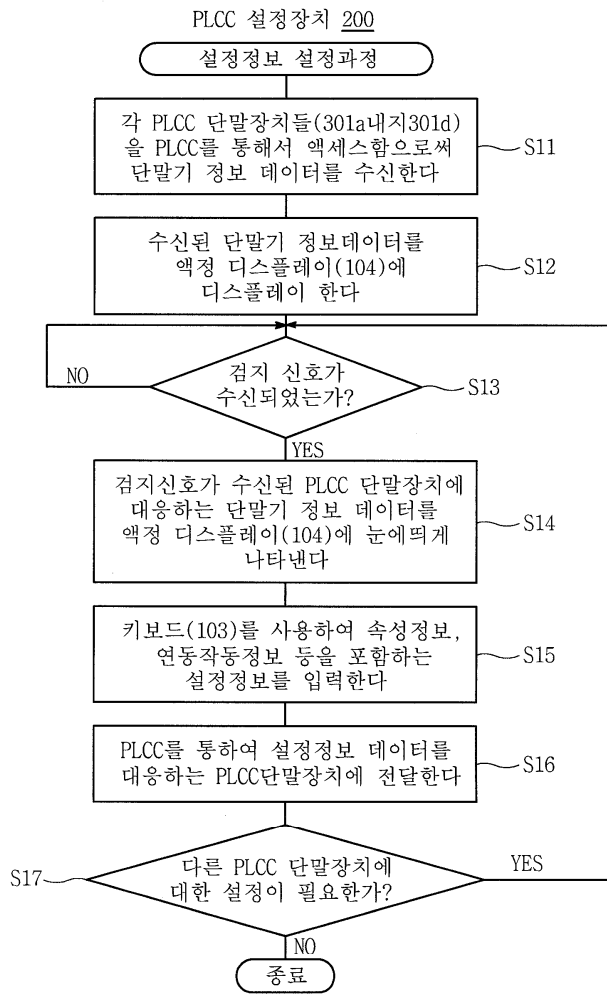
6

수정된 바람직한 실시예

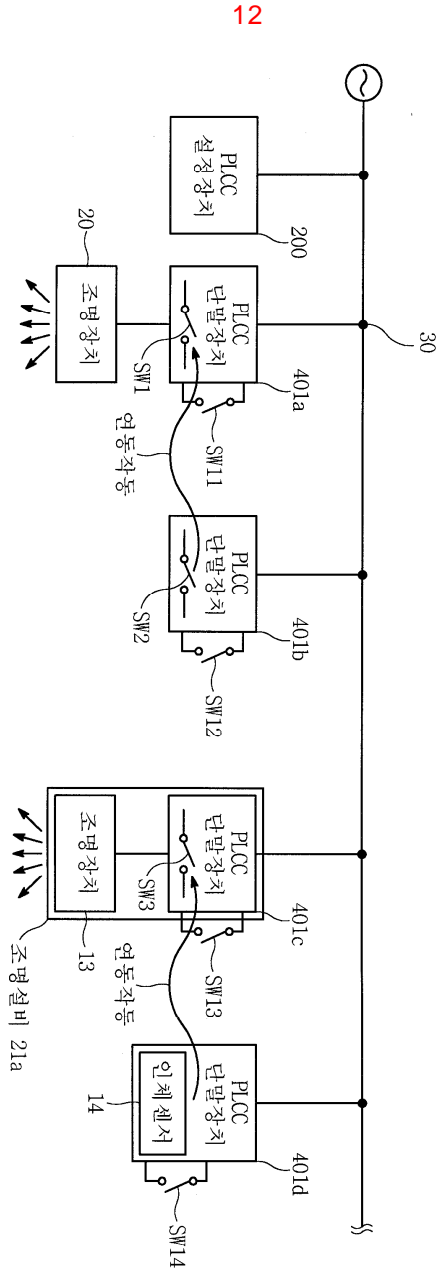








바람직한 제3 실시예



13

