

(19)
(12)

(KR)
(Y1)

(51) 。 Int. Cl.⁷
H04B 3/58

(45)
(11)
(24)

2004 02 14
20-0342064
2004 02 04

(21) 20-2003-0036584
(22) 2003 11 24

(73) 28-1

(72) 1117 204 1005

291 203 1605

2 1 1206

1 1 207 908

(74)

:

가 :

(54)

가

(Full Duplex),

- 1
- 2 1
- *
- 110 :
- 120 : 1
- 125 : 2
- 130 : 1
- 135 : 2
- 140 : 1
- 145 : 2
- 150 : OFDM
- 160 : OFDM

가

xDSL(Digital Subscriber Line),
Loop)

B-WLL(Broadband Wireless Local
가

(Power Line Communication)

10km 22.9kV
(repeater)

가

(Signal-to-Noise Ratio)가

가

(regeneration),

가

가

가

가

1

;

2

;

1

1

1

;

1

2

;

1

2

1

2

2

;

1

OFDM

;

2

OFDM

가

1

2

1

1 (120) (130) (100) (60Hz AC) 1 (130)

1 (130) 1 (120) OFDM (160)
 1 (140) 1 (130) OFDM (150)

OFDM (, Orthogonal Frequency Division Multiplexing)(150)
 1 (140) 2 (135)

2 (135) OFDM (150) 2 (125) 2
 (125) 2 (145)

2 (125) 2 (135) 2 (135)

2 (145) OFDM 2 (160) (135)

OFDM (160) 2 (145) (130)

2 (110) (110) 가

20) 1 (130) 1 (1)

1 OFDM (150) (140) 가

) OFDM (150) (125) (110) 2 60Hz AC (135)

2 (125) 2 (135)

2 OFDM (160) (145) 가

) OFDM (160) , (110) 1 (130)
 1 (120) 60Hz AC
 , 2 OFDM (150) OFDM (160)
 (110) (11

가 . , 가

(57)

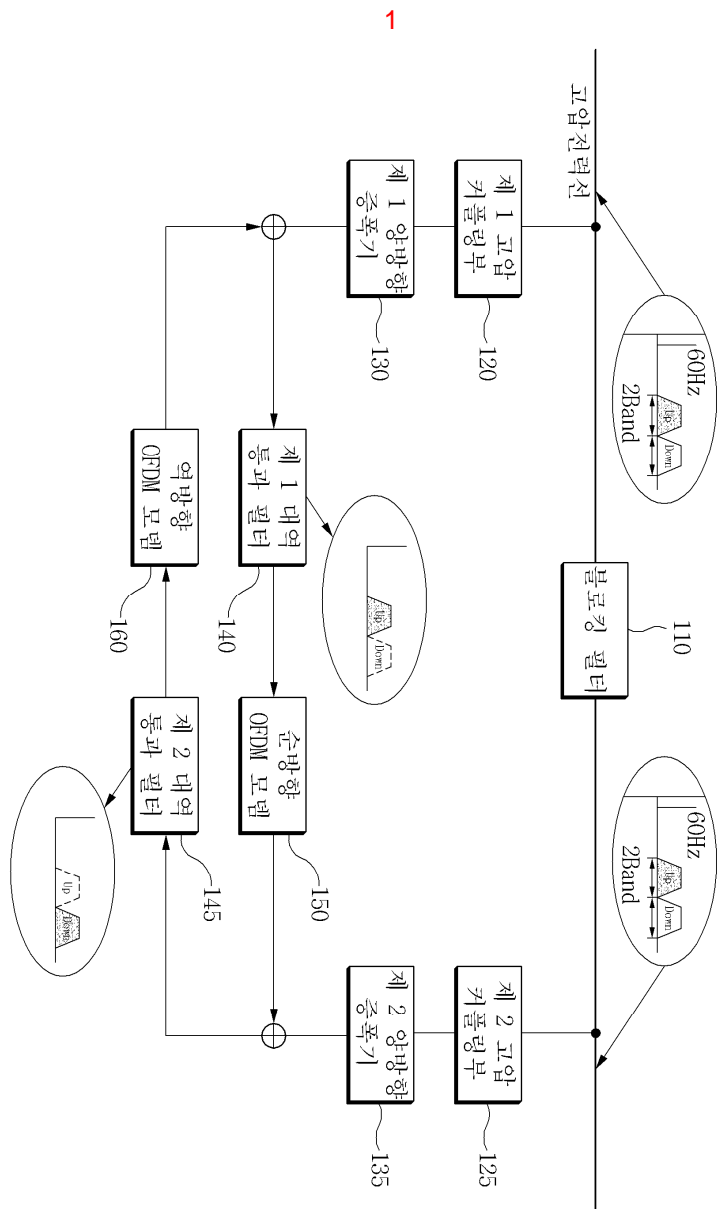
1.

1 ; ,
 2 ; ,
 1 1 1 ; ,
 2 2 ; ,
 1 ; 1
 2 ; 2
 1 OFDM ;
 2 OFDM

2.

1 ,
 ,

가



1

