



Introduction to the SMD Product Listing

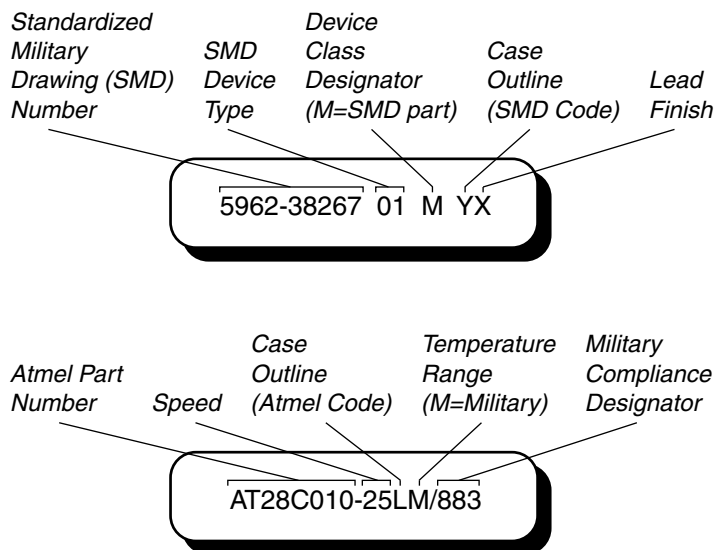
Each Standardized Military Drawing (SMD) part number that Atmel supplies corresponds to an Atmel /883 part number. SMD products are compliant to MIL-STD-883, paragraph 1.2.1 and to the requirements of the applicable standardized military drawing. The tables in this section list the currently approved Atmel SMD parts by Atmel part number (Table 1) and by SMD part number (Table 2). They define and cross reference the Atmel /883 part number with the SMD part number for your ordering convenience.

Figure 1 shows how an Atmel SMD order number defines a part, compared to the components of the Atmel similar part number.

Please note that some SMD part numbers contain the letter "M" between the device type and the case outline designator. The "M" is part of the one part-one part number system, set up by DESC. It is a device class designator which indicates the part is an SMD part number as opposed to being a JAN part number.

Standard Military Drawing PLD Offering

Figure 1. Components of an SMD Number (Top) Compared to the Atmel Similar Part





How to Use the Atmel Part Type Reference Table

The organization of Table 1 enables the purchaser to order a standardized military part by using the Atmel generic part type to locate the correct SMD drawing number. The SMD part number is the order number for SMD devices. The Atmel generic part type, which begins with the prefix “AT”, heads Table 1. There are four sections in this table (see the sample table on next page).

SMD Options

The first section lists the SMD options available at Atmel. It includes the industry generic part type, the SMD drawing number, and the SMD device type. The first section also lists the SMD case outline options, the lead finish options, the circuit description, and the access time that correspond to that device type.

Order Code Cross-reference

The next section of the table cross-references each optionally complete SMD part number (see ❶ below) with the Atmel similar /883 part number (see ❷ below).

Case Outline Legend

The third section gives the SMD case outline options available for the device.

Lead Finish Legend

The last section lists the SMD lead finish options available for the device.

SMD Options with Part Description and Specifications

ATF22V10B						
Generic Number	Standardized Military Drawing Number				Description	
22V10	Drawing Number	Device Type	Case Outline	Lead Finish	Circuit Description	t _{PD} (ns)
	5962-89841	03	L, 3	X, A, C	22-input, 10-output and-or-logic Array	15
	5962-89841	04	L, 3	X, A, C	22-input, 10-output and-or-logic Array	25
Atmel Cage No. 1FN41	Example: Atmel Order Number			Atmel Similar Part Number		
	❶ 5962-89841 01 LA				❷ ATF22V10B-15GM/883	
	5962-89841 01 3X				ATF22V10B-15NM/883	

Order Code Cross-reference

Case Outline Legend

Case Outline	
L	24D3, 24-lead, 0.300" Wide, Non-windowed, Ceramic Dual Inline Package (Cerdip)
3	28L, 28-pad, Non-windowed, Ceramic Leadless Chip Carrier (LCC)
Lead Finish	
X	Allows Hot Tin Dip or Gold (AU)
A	Hot Tin Dip
C	Gold (AU)

Lead Finish Legend

How to Use the Atmel SMD Number Reference Table

Table 2 allows quick reference to the Atmel /883 similar part number when the purchaser knows the SMD part number. The head for Table 2 is the SMD drawing number (see the example table below). This table contains a cross-reference between the optionally complete SMD

drawing number (see ❶ below) and the corresponding Atmel similar /883 part number (see ❷ on below). It also includes the circuit description and access time for that part number.

<i>Order Codes</i>		<i>Part Description and Specifications</i>	
5962-89841			
❶	❷		
Atmel Order Number	Atmel Similar Part Number	Circuit Description	t_{PD} (ns)
5962-89841 03 LA	ATF22V10B-15GM/883	22-input, 10-output and-or-logic Array	15
5962-89841 03 3X	ATF22V10B-15NM/883	22-input, 10-output and-or-logic Array	15
5962-89841 04 LA	ATF22V10B-25GM/883	22-input, 10-output and-or-logic Array	25
5962-89841 04 3X	ATF22V10B-25NM/883	22-input, 10-output and-or-logic Array	25
5962-89841 05 LA	ATF22V10B-15GM/883	22-input, 10-output and-or-logic Array	15
5962-89841 06 LA	ATF22V10B-10GM/883	22-input, 10-output and-or-logic Array	10
5962-89841 06 3X	ATF22V10B-10NM/883	22-input, 10-output and-or-logic Array	10

*Order Code
Cross-reference*



Table 1. Atmel SMD Part Types, Listed by Atmel Part Number

ATF22V10B						
Generic Number	Standardized Military Drawing Number				Description	
22V10	Drawing Number	Device Type	Case Outline	Lead Finish	Circuit Description	t_{PD} (ns)
	5962-89841	03	L, 3	X, A, C	22-input, 10-output and-or-logic Array	15
	5962-89841	04	L, 3	X, A, C	22-input, 10-output and-or-logic Array	25
	5962-89841	06	L, 3	X, A, C	22-input, 10-output and-or-logic Array	10
Atmel Cage No. 1FN41	Example: Atmel Order Number				Atmel Similar Part Number	
	5962-89841 03 LA				ATF22V10B-15GM/883	
	5962-89841 03 3X				ATF22V10B-15NM/883	
	5962-89841 04 LA				ATF22V10B-25GM/883	
	5962-89841 04 3X				ATF22V10B-25NM/883	
	5962-89841 06 LA				ATF22V10B-10GM/883	
	5962-89841 06 3X				ATF22V10B-10NM/883	

Note: Shaded devices are obsolete.

ATF22V10BQL						
Generic Number	Standardized Military Drawing Number				Description	
22V10	Drawing Number	Device Type	Case Outline	Lead Finish	Circuit Description	t_{PD} (ns)
	5962-89841	14	L, 3	X, A, C	22-input, 10-output and-or-logic Array	20
	5962-89841	13	L, 3	X, A, C	22-input, 10-output and-or-logic Array	25
Atmel Cage No. 1FN41	Example: Atmel Order Number				Atmel Similar Part Number	
	5962-89841 13 LA				ATF22V10BQL-25GM/883	
	5962-89841 13 3X				ATF22V10BQL-25NM/883	
	5962-89841 14 LA				ATF22V10BQL-20GM/883	
5962-89841 14 3X				ATF22V10BQL-20NM/883		

Table 1. Atmel SMD Part Types, Listed by Atmel Part Number (Continued)

ATV750/ATV750B						
Generic Number	Standardized Military Drawing Number				Description	
V750	Drawing Number	Device Type	Case Outline	Lead Finish	Circuit Description	t_{PD} (ns)
	5962-88726	03	L, 3	X, A, C	22-input, 10-output and-or-logic Array	25
	5962-88726	04	L, 3	X, A, C	22-input, 10-output and-or-logic Array	20
	5962-88726	08	L, 3	X, A, C	22-input, 10-output and-or-logic Array	10
	5962-88726	09	L, 3	X, A, C	22-input, 10-output and-or-logic Array	15
Atmel Cage No. 1FN41	Example: Atmel Order Number				Atmel Similar Part Number	
	5962-88726 03 LA				ATV750-25DM/883	
	5962-88726 03 3X				ATV750-25LM/883	
	5962-88726 04 LA				ATV750-20DM/883	
	5962-88726 04 3X				ATV750-20LM/883	
	5962-88726 08 LA				ATV750B-10DM/883	
	5962-88726 08 3X				ATV750B-10LM/883	
	5962-88726 09 LA				ATV750B-15DM/883	
5962-88726 09 3X				ATV750B-15LM/883		

Note: Shaded devices are obsolete.

Case Outline	
L	24DW3, 24-lead, 0.300" Wide, Windowed, Ceramic Dual Inline Package (Cerdip)
3	28LW, 28 Pad, Windowed, Ceramic Leadless Chip Carrier (LCC)
Lead Finish	
X	Allows Hot Tin Dip or Gold (AU)
A	Hot Tin Dip
C	Gold (AU)



Table 1. Atmel SMD Part Types, Listed by Atmel Part Number (Continued)

ATV750L/ATV750BL						
Generic Number	Standardized Military Drawing Number				Description	
V750L	Drawing Number	Device Type	Case Outline	Lead Finish	Circuit Description	t_{PD} (ns)
	5962-88726	07	L, 3	X, A, C	22-input, 10-output and-or-logic Array	25
	5962-88726	11	L, 3	X, A, C	22-input, 10-output and-or-logic Array	15
Atmel Cage No. 1FN41	Example: Atmel Order Number				Atmel Similar Part Number	
	5962-88726 07 LA				ATV750L-25DM/883	
	5962-88726 07 3X				ATV750L-25LM/883	
	5962-88726 11 LA				ATV750BL-15DM/883	
	5962-88726 11 3X				ATV750BL-15LM/883	

Note: Shaded devices are obsolete.

Case Outline	
L	24DW3, 24-lead, 0.300" Wide, Windowed, Ceramic Dual Inline Package (Cerdip)
3	28LW, 28-pad, Windowed, Ceramic Leadless Chip Carrier (LCC)
Y	28KW, 28-lead, Windowed or Non-windowed, J Leaded Ceramic Chip Carrier (JLCC)
Lead Finish	
X	Allows Hot Tin Dip or Gold (AU)
A	Hot Tin Dip
C	Gold (AU)

Table 1. Atmel SMD Part Types, Listed by Atmel Part Number (Continued)

ATV750 OTP						
Generic Number	Standardized Military Drawing Number				Description	
V750	Drawing Number	Device Type	Case Outline	Lead Finish	Circuit Description	t _{PD} (ns)
	5962-94524	02M	L, 3	X, A, C	22-input, 10-output and-or-logic Array	25
	5962-94524	03M	L, 3	X, A, C	22-input, 10-output and-or-logic Array	20
Atmel Cage No. 1FN41	Example: Atmel Order Number				Atmel Similar Part Number	
	5962-94524 02M LA				ATV750-25GM/883	
	5962-94524 02M 3X				ATV750-25NM/883	
	5962-94524 03M LA				ATV750-20GM/883	
5962-94524 03M 3X				ATV750-20NM/883		

Note: Shaded devices are obsolete.

ATV750L OTP						
Generic Number	Standardized Military Drawing Number				Description	
V750	Drawing Number	Device Type	Case Outline	Lead Finish	Circuit Description	t _{PD} (ns)
	5962-94524	05M	L, 3	X, A, C	22-input, 10-output and-or-logic Array	25
Atmel Cage No. 1FN41	Example: Atmel Order Number				Atmel Similar Part Number	
	5962-94524 05M LA				ATV750L-25GM/883	
	5962-94524 05M 3X				ATV750L-25NM/883	

Note: Shaded devices are obsolete.

Case Outline	
L	24D3, 24-lead 0.300" Wide, Non-windowed, Ceramic Dual Inline Package (Cerdip)
3	28L, 28-pad, Non-windowed, Ceramic Leadless Chip Carrier (LCC)
Lead Finish	
X	Allows Hot Tin Dip or Gold (AU)
A	Hot Tin Dip
C	Gold (AU)



Table 1. Atmel SMD Part Types, Listed by Atmel Part Number (Continued)

ATV2500B						
Generic Number	Standardized Military Drawing Number				Description	
V2500B	Drawing Number	Device Type	Case Outline	Lead Finish	Circuit Description	t_{PD} (ns)
	5962-91545	04	X, Y	X, A, C	38-input, 24-output and-or-logic Array	15
Atmel Cage No. 1FN41	Example: Atmel Order Number				Atmel Similar Part Number	
	5962-91545 04M XX				ATV2500B-15LM/883	
	5962-91545 04M YX				ATV2500B-15KM/883	

ATV2500BL						
Generic Number	Standardized Military Drawing Number				Description	
V2500BL	Drawing Number	Device Type	Case Outline	Lead Finish	Circuit Description	t_{PD} (ns)
	5962-91545	05	X, Y	X, A, C	38-input, 24-output and-or-logic Array	20
Atmel Cage No. 1FN41	Example: Atmel Order Number				Atmel Similar Part Number	
	5962-91545 05M XX				ATV2500BL-20LM/883	
	5962-91545 05M YX				ATV2500BL-20KM/883	

Table 1. Atmel SMD Part Types, Listed by Atmel Part Number (Continued)

ATV2500BQ						
Generic Number	Standardized Military Drawing Number				Description	
V2500BQ	Drawing Number	Device Type	Case Outline	Lead Finish	Circuit Description	t _{PD} (ns)
	5962-91545	06	Q, X, Y	X, A, C	38-input, 24-output and-or-logic Array	25
Atmel Cage No. 1FN41	Example: Atmel Order Number				Atmel Similar Part Number	
	5962-91545 06M XX				ATV2500BQ-25LM/883	
	5962-91545 06M YX				ATV2500BQ-25KM/883	
	5962-91545 06M QA				ATV2500BQ-25DM/883	

ATV2500BQL						
Generic Number	Standardized Military Drawing Number				Description	
V2500BQL	Drawing Number	Device Type	Case Outline	Lead Finish	Circuit Description	t _{PD} (ns)
	5962-91545	07	Q, X, Y	X, A, C	38-input, 24-output and-or-logic Array	30
Atmel Cage No. 1FN41	Example: Atmel Order Number				Atmel Similar Part Number	
	5962-91545 07M XX				ATV2500BQL-30LM/883	
	5962-91545 07M YX				ATV2500BQL-30KM/883	
	5962-91545 07M QA				ATV2500BQL-30DM/883	

Case Outline	
Q	40DW6, 40-lead, 0.600" Wide, Windowed, Ceramic Dual Inline Package (Cerdip)
X	44LW, 44-pad, Windowed, Ceramic Leadless Chip Carrier (LCC)
Y	44KW, 44-lead, Windowed, Ceramic J-leded Chip Carrier (JLCC)
Lead Finish	
X	Allows Hot Tin Dip or Gold (AU)
A	Hot Tin Dip
C	Gold (AU)



Table 2. Atmel SMD Part Types, Listed by SMD Number

5962-88726			
Atmel Order Number	Atmel Similar Part Number	Circuit Description	t_{PD} (ns)
5962-88726 03 LA	ATV750-25DM/883	22-input, 10-output and-or-logic Array	25
5962-88726 03 3X	ATV750-25LM/883	22-input, 10-output and-or-logic Array	25
5962-88726 04 LA	ATV750-20DM/883	22-input, 10-output and-or-logic Array	20
5962-88726 04 3X	ATV750-20LM/883	22-input, 10-output and-or-logic Array	20
5962-88726 07 LA	ATV750L-25DM/883	22-input, 10-output and-or-logic Array	25
5962-88726 07 3X	ATV750L-25LM/883	22-input, 10-output and-or-logic Array	25
5962-88726 08 LA	ATV750B-10DM/883	22-input, 10-output and-or-logic Array	10
5962-88726 08 3X	ATV750B-10LM/883	22-input, 10-output and-or-logic Array	10
5962-88726 09 LA	ATV750B-15DM/883	22-input, 10-output and-or-logic Array	15
5962-88726 09 3X	ATV750B-15LM/883	22-input, 10-output and-or-logic Array	15
5962-88726 11 LA	ATV750BL-15DM/883	22-input, 10-output and-or-logic Array	15
5962-88726 11 3X	ATV750BL-15LM/883	22-input, 10-output and-or-logic Array	15

Note: Shaded devices are obsolete.

5962-89841			
Atmel Order Number	Atmel Similar Part Number	Circuit Description	t_{PD} (ns)
5962-89841 03 LA	ATF22V10B-15GM/883	22-input, 10-output and-or-logic Array	15
5962-89841 03 3X	ATF22V10B-15NM/883	22-input, 10-output and-or-logic Array	15
5962-89841 06 LA	ATF22V10B-10GM/883	22-input, 10-output and-or-logic Array	10
5962-89841 06 3X	ATF22V10B-10NM/883	22-input, 10-output and-or-logic Array	10
5962-89841 13 LA	ATF22V10BQL-25GM/883	22-input, 10-output and-or-logic Array	25
5962-89841 13 3X	ATF22V10BQL-25NM/883	22-input, 10-output and-or-logic Array	25
5962-89841 14 LA	ATF22V10BQL-20GM/883	22-input, 10-output and-or-logic Array	20
5962-89841 14 3X	ATF22V10BQL-20NM/883	22-input, 10-output and-or-logic Array	20

Note: Shaded devices are obsolete.

Table 2. Atmel SMD Part Types, Listed by SMD Number (Continued)

5962-91545			
Atmel Order Number	Atmel Similar Part Number	Circuit Description	t_{PD} (ns)
5962-91545 04M XX	ATV2500B-15LM/883	38-input, 24-output and-or-logic Array	15
5962-91545 04M YX	ATV2500B-15KM/883	38-input, 24-output and-or-logic Array	15
5962-91545 05M XX	ATV2500BL-20LM/883	38-input, 24-output and-or-logic Array	20
5962-91545 05M YX	ATV2500BL-20KM/883	38-input, 24-output and-or-logic Array	20
5962-91545 06M XX	ATV2500BQ-25LM/883	38-input, 24-output and-or-logic Array	25
5962-91545 06M YX	ATV2500BQ-25KM/883	38-input, 24-output and-or-logic Array	25
5962-91545 06M QA	ATV2500BQ-25DM/883	38-input, 24-output and-or-logic Array	25
5962-91545 07M XX	ATV2500BQL-30LM/883	38-input, 24-output and-or-logic Array	30
5962-91545 07M YX	ATV2500BQL-30KM/883	38-input, 24-output and-or-logic Array	30
5962-91545 07M QA	ATV2500BQL-30DM/883	38-input, 24-output and-or-logic Array	30

5962-94524 - OTP			
Atmel Order Number	Atmel Similar Part Number	Circuit Description	t_{PD} (ns)
5962-94524 01M LA	ATV750-25GM/883	22-input, 10-output and-or-logic Array	25
5962-94524 01M 3X	ATV750-25NM/883	22-input, 10-output and-or-logic Array	25
5962-94524 03M LA	ATV750-20GM/883	22-input, 10-output and-or-logic Array	20
5962-94524 03M 3X	ATV750-20NM/883	22-input, 10-output and-or-logic Array	20
5962-94524 05M LA	ATV750L-25GM/883	22-input, 10-output and-or-logic Array	25
5962-94524 05M 3X	ATV750L-25NM/883	22-input, 10-output and-or-logic Array	25

Note: Shaded devices are obsolete.



Atmel Headquarters

Corporate Headquarters
2325 Orchard Parkway
San Jose, CA 95131
TEL (408) 441-0311
FAX (408) 487-2600

Europe

Atmel U.K., Ltd.
Coliseum Business Centre
Riverside Way
Camberley, Surrey GU15 3YL
England
TEL (44) 1276-686-677
FAX (44) 1276-686-697

Asia

Atmel Asia, Ltd.
Room 1219
Chinachem Golden Plaza
77 Mody Road Tsimhatsui
East Kowloon
Hong Kong
TEL (852) 2721-9778
FAX (852) 2722-1369

Japan

Atmel Japan K.K.
9F, Tonetsu Shinkawa Bldg.
1-24-8 Shinkawa
Chuo-ku, Tokyo 104-0033
Japan
TEL (81) 3-3523-3551
FAX (81) 3-3523-7581

Atmel Operations

Atmel Colorado Springs
1150 E. Cheyenne Mtn. Blvd.
Colorado Springs, CO 80906
TEL (719) 576-3300
FAX (719) 540-1759

Atmel Rousset

Zone Industrielle
13106 Rousset Cedex
France
TEL (33) 4-4253-6000
FAX (33) 4-4253-6001

Fax-on-Demand

North America:
1-(800) 292-8635
International:
1-(408) 441-0732

e-mail

literature@atmel.com

Web Site

<http://www.atmel.com>

BBS

1-(408) 436-4309

© Atmel Corporation 1999.

Atmel Corporation makes no warranty for the use of its products, other than those expressly contained in the Company's standard warranty which is detailed in Atmel's Terms and Conditions located on the Company's web site. The Company assumes no responsibility for any errors which may appear in this document, reserves the right to change devices or specifications detailed herein at any time without notice, and does not make any commitment to update the information contained herein. No licenses to patents or other intellectual property of Atmel are granted by the Company in connection with the sale of Atmel products, expressly or by implication. Atmel's products are not authorized for use as critical components in life support devices or systems.

Marks bearing ® and/or ™ are registered trademarks and trademarks of Atmel Corporation.

Terms and product names in this document may be trademarks of others.



Printed on recycled paper.

0478D-03/00/xM