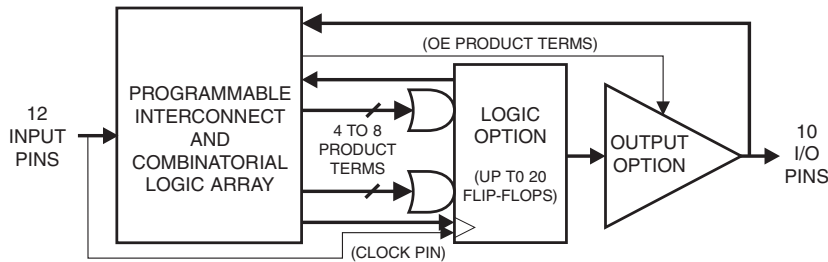


## Features

- 3.0V to 3.6V Operating Range
- Advanced, High-speed, Electrically-erasable Programmable Logic Device
  - Superset of 22V10
  - Enhanced Logic Flexibility
  - Architecturally Compatible with ATV750B and ATV750 Software and Hardware
- D- or T-type Flip-flop
- Product Term or Direct Input Pin Clcking
- 15 ns Maximum Pin-to-pin Delay with 3V Operation
- Highest Density Programmable Logic Available in 24-pin Package
  - Advanced Electrically-erasable Technology
  - Reprogrammable
  - 100% Tested
- Increased Logic Flexibility
  - 42 Array Inputs, 20 Sum Terms and 20 Flip-flops
- Enhanced Output Logic Flexibility
  - All 20 Flip-flops Feed Back Internally
  - 10 Flip-flops are also Available as Outputs
- Programmable Pin-keeper Circuits
- Dual-in-line and Surface Mount Package in Standard Pinouts
- Commercial and Industrial Temperature Ranges
- 20-year Data Retention
- 2000V ESD Protection
- 1000 Erase/Write Cycles

## Block Diagram



## Description

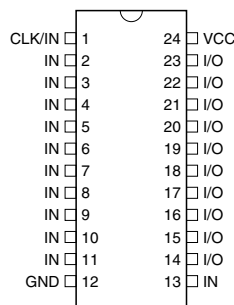
The Atmel "750" architecture is twice as powerful as most other 24-pin programmable logic devices. Increased product terms, sum terms, flip-flops and output logic configurations translate into more usable gates. High-speed logic and uniform, predictable delays guarantee fast in-system performance. The ATF750LVC is a high-performance

(continued)

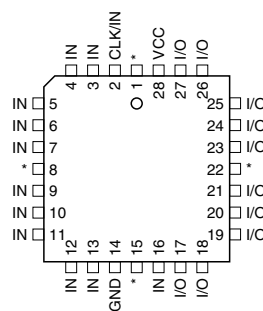
## Pin Configurations

Pin Name	Function
CLK	Clock
IN	Logic Inputs
I/O	Bi-directional Buffers
*	No Internal Connection
VCC	3V Supply

DIP/SOIC/TSSOP



PLCC



Rev. 1447B-02/00



# High-speed Complex Programmable Logic Device

## ATF750LVC





CMOS (electrically-erasable) complex programmable logic device (CPLD) that utilizes Atmel's proven electrically-erasable technology.

Each of the ATF750LVC's 22 logic pins can be used as an input. Ten of these can be used as inputs, outputs or bi-directional I/O pins. Each flip-flop is individually configurable as either D- or T-type. Each flip-flop output is fed back into the array independently. This allows burying of all the sum terms and flip-flops.

There are 171 total product terms available. There are two sum terms per output, providing added flexibility. A variable format is used to assign between four to eight product

terms per sum term. Much more logic can be replaced by this device than by any other 24-pin PLD. With 20 sum terms and flip-flops, complex state machines are easily implemented with logic to spare.

Product terms provide individual clocks and asynchronous resets for each flip-flop. Each flip-flop may also be individually configured to have direct input pin controlled clocking. Each output has its own enable product term. One product term provides a common synchronous preset for all flip-flops. Register preload functions are provided to simplify testing. All registers automatically reset upon power-up.

### Absolute Maximum Ratings\*

Temperature Under Bias.....	-40°C to +85°C
Storage Temperature .....	-65°C to +150°C
Voltage on Any Pin with Respect to Ground .....	-2.0V to +4.6V <sup>(1)</sup>
Voltage on Input Pins with Respect to Ground During Programming.....	-2.0V to +14.0V <sup>(1)</sup>
Programming Voltage with Respect to Ground .....	-2.0V to +14.0V <sup>(1)</sup>

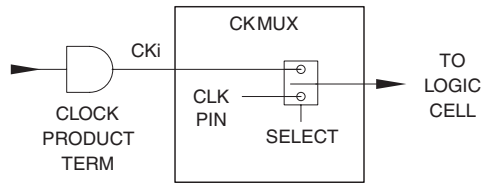
\*NOTICE: Stresses beyond those listed under "Absolute Maximum Ratings" may cause permanent damage to the device. This is a stress rating only and functional operation of the device at these or any other conditions beyond those indicated in the operational sections of this specification is not implied. Exposure to absolute maximum rating conditions for extended periods may affect device reliability.

Note: 1. Minimum voltage is -0.6V DC, which may undershoot to -2.0V for pulses of less than 20 ns. Maximum output pin voltage is  $V_{CC} + 0.75V$  DC, which may overshoot to 4.6V for pulses of less than 20 ns.

### DC and AC Operating Conditions

5V Operation	Commercial	Industrial
Operating Temperature (Ambient)	0°C - 70°C	-40°C - +85°C
$V_{CC}$ Power Supply	3.0V ± 3.6V%	3.0V ± 3.6V%

## Clock Mux



## Output Options



## Bus-friendly Pin-keeper Input and I/Os

All input and I/O pins on the ATF750LVC(L) have programmable “pin-keeper” circuits. If activated, when any pin is driven high or low and then subsequently left floating, it will stay at that previous high or low level.

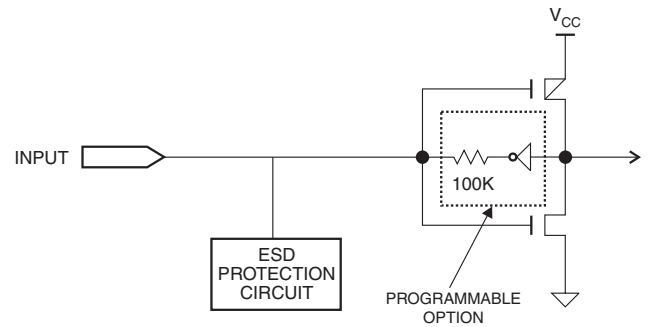
This circuitry prevents unused input and I/O lines from floating to intermediate voltage levels, which cause unnecessary power consumption and system noise. The keeper circuits eliminate the need for external pull-up resistors and eliminate their DC power consumption.

Enabling or disabling of the pin-keeper circuits is controlled by the device type chosen in the logic compiler device selection menu. Please refer to the software compiler table for more details. Once the pin-keeper circuits are disabled, normal termination procedures are required for unused inputs and I/Os.

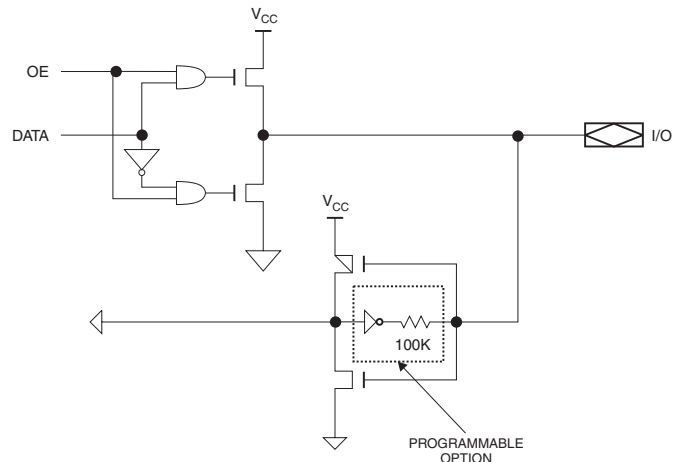
**Table 1.** Software Compiler Mode Selection

Synario	Wincupl	Pin-keeper Circuit
ATF750LVC	V750C	Disabled
ATF750LVC (PPK)	V750CPPK	Enabled

## Input Diagram



## I/O Diagram

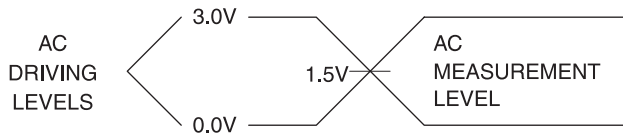


## DC Characteristics

Symbol	Parameter	Condition		Min	Typ	Max	Units	
$I_{LI}$	Input Load Current	$V_{IN} = -0.1V$ to $V_{CC} + 1V$				10	$\mu A$	
$I_{LO}$	Output Leakage Current	$V_{OUT} = -0.1V$ to $V_{CC} + 0.1V$				10	$\mu A$	
$I_{CC}$	Power Supply Current, Standby	$V_{CC} = \text{Max,}$ $V_{IN} = \text{Max,}$ Outputs Open	C-15	Com.	65	90	mA	
				Ind.	70	100	mA	
$I_{OS}^{(1)(2)}$	Output Short Circuit Current	$V_{OUT} = 0.5V$				-120	mA	
$V_{IL}$	Input Low Voltage	$3.0 \leq V_{CC} \leq 3.6V$		-0.6		0.8	V	
$V_{IH}$	Input High Voltage			2.0		$V_{CC} + 0.75$	V	
$V_{OL}$	Output Low Voltage	$V_{IN} = V_{IH}$ or $V_{IL},$ $V_{CC} = \text{Min}$		$I_{OL} = 16 \text{ mA}$	Com., Ind.		0.5	V
				$I_{OL} = 12 \text{ mA}$	Mil.		0.5	V
				$I_{OL} = 24 \text{ mA}$	Com.		0.8	V
$V_{OH}$	Output High Voltage	$V_{IN} = V_{IH}$ or $V_{IL},$ $V_{CC} = \text{Min}$	$I_{OH} = -2.0 \text{ mA}$	2.4			V	

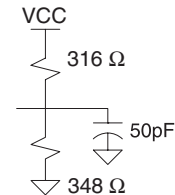
Notes: 1. Not more than one output at a time should be shorted. Duration of short circuit test should not exceed 30 sec.  
2. This test is performed at initial characterisation only.

### Input Test Waveforms and Measurement Levels

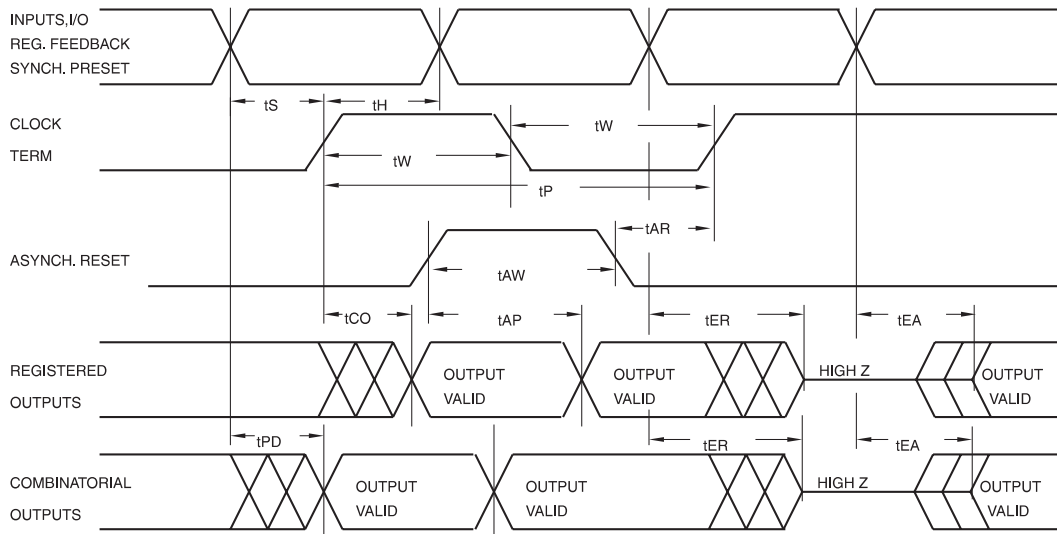


$t_R, t_F < 3 \text{ ns}$  (10% to 90%)

### Output Test Load



## AC Waveforms, Product Term Clock<sup>(1)</sup>



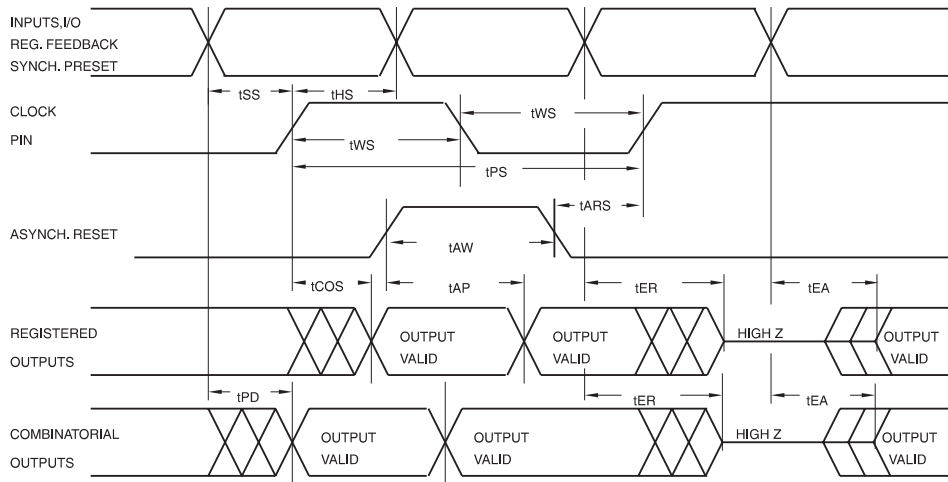
Note: 1. Timing measurement reference is 1.5V. Input AC driving levels are 0.0V and 3.0V, unless otherwise specified.

## AC Characteristics, Product Term Clock<sup>(1)</sup>

Symbol	Parameter	-15		Units
		Min	Max	
$t_{PD}$	Input or Feedback to Non-registered Output		15	ns
$t_{EA}$	Input to Output Enable		15	ns
$t_{ER}$	Input to Output Disable		15	ns
$t_{CO}$	Clock to Output	5	12	ns
$t_{CF}$	Clock to Feedback	5	9	ns
$t_S$	Input Setup Time	8		ns
$t_{SF}$	Feedback Setup Time	7		ns
$t_H$	Hold Time	5		ns
$t_P$	Clock Period	14		ns
$t_W$	Clock Width	7		ns
$f_{MAX}$	External Feedback $1/(t_S + t_{CO})$		50	MHz
	Internal Feedback $1/(t_{SF} + t_{CF})$		62	MHz
	No Feedback $1/(t_P)$		71	MHz
$t_{AW}$	Asynchronous Reset Width	15		ns
$t_{AR}$	Asynchronous Reset Recovery Time	15		ns
$t_{AP}$	Asynchronous Reset to Registered Output Reset		15	ns
$t_{SP}$	Setup Time, Synchronous Preset	8		ns

Note: 1. See ordering information for valid part numbers.

## AC Waveforms, Input Pin Clock<sup>(1)</sup>

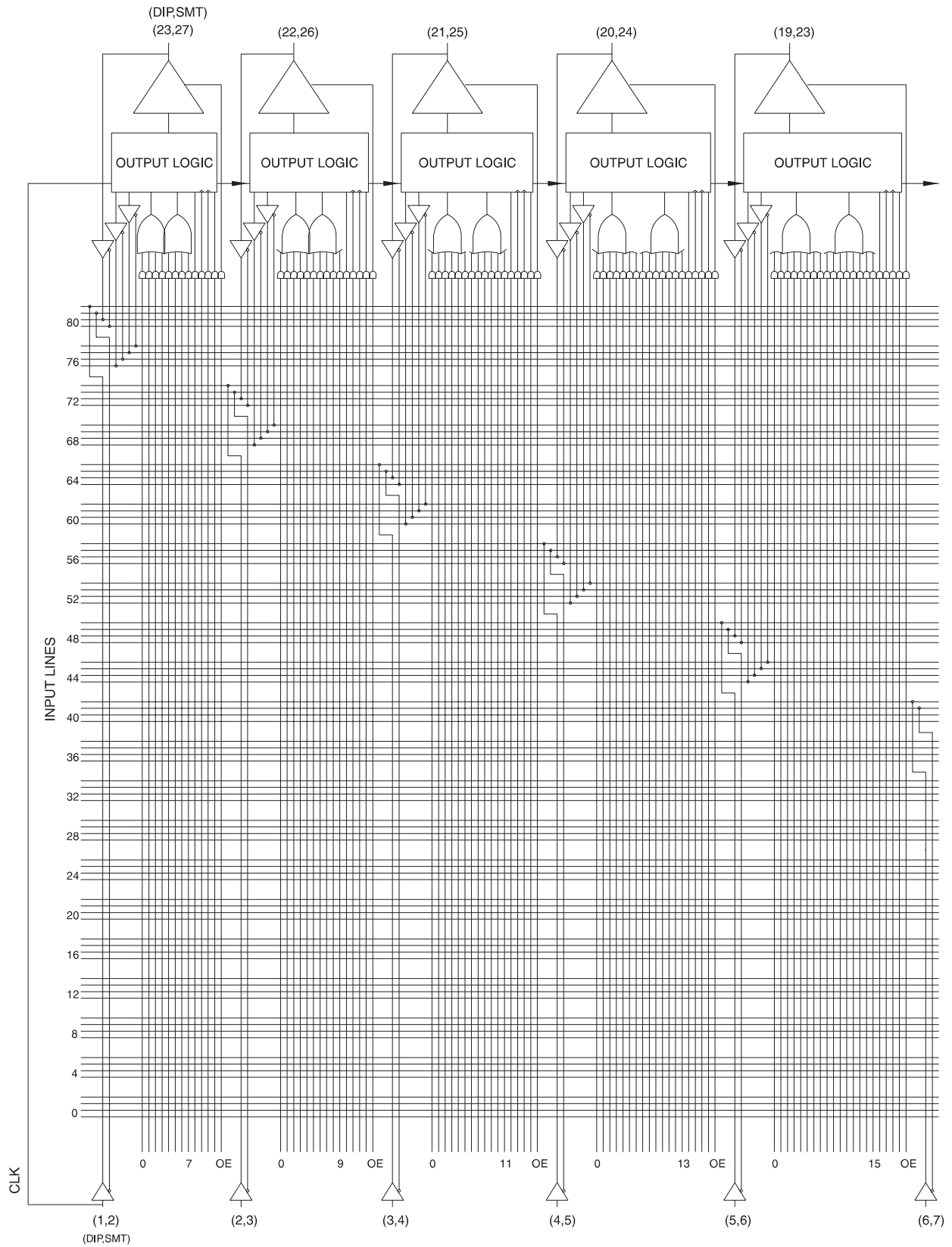


Notes: 1. Timing measurement reference is 1.5V. Input AC driving levels are 0.0V and 3.0V, unless otherwise specified.

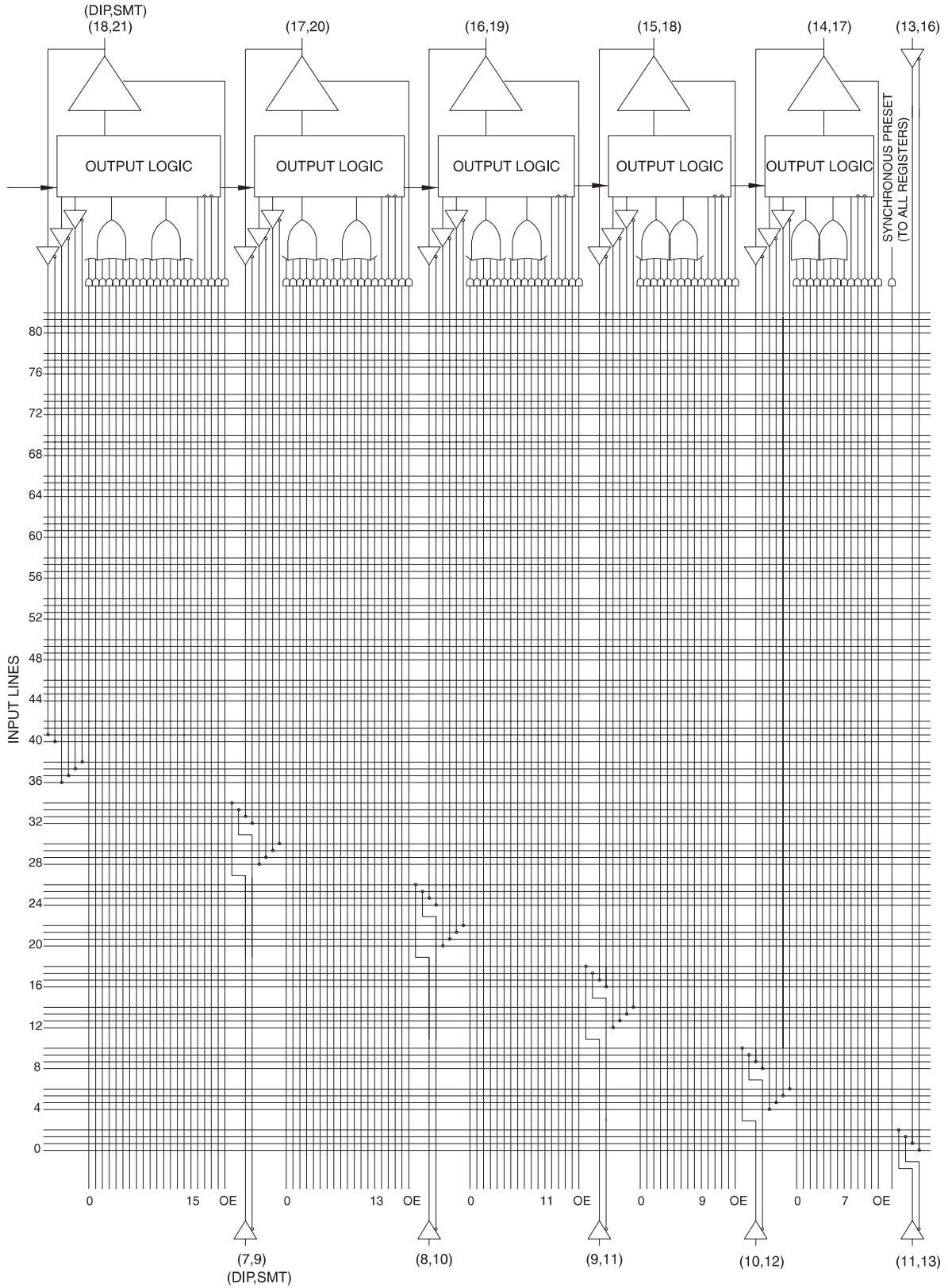
## AC Characteristics, Input Pin Clock

Symbol	Parameter	-15		Units
		Min	Max	
$t_{PD}$	Input or Feedback to Non-registered Output		15	ns
$t_{EA}$	Input to Output Enable		15	ns
$t_{ER}$	Input to Output Disable		15	ns
$t_{COS}$	Clock to Output	0	10	ns
$t_{CFS}$	Clock to Feedback	0	5.5	ns
$t_{SS}$	Input Setup Time	8		ns
$t_{SFS}$	Feedback Setup Time	7		ns
$t_{HS}$	Hold Time	0		ns
$t_{PS}$	Clock Period	12		ns
$t_{WS}$	Clock Width	6		ns
$f_{MAXS}$	External Feedback $1/(t_{SS} + t_{COS})$		55	MHz
	Internal Feedback $1/(t_{SFS} + t_{CFS})$		80	MHz
	No Feedback $1/(t_{PS})$		83	MHz
$t_{AW}$	Asynchronous Reset Width	15		ns
$t_{ARS}$	Asynchronous Reset Recovery Time	15		ns
$t_{AP}$	Asynchronous Reset to Registered Output Reset		15	ns
$t_{SPS}$	Setup Time, Synchronous Preset	11		ns

Functional Logic Diagram ATF750LVC, Upper Half



# Functional Logic Diagram ATF750LVC, Lower Half





## Using the ATF750LVC's Many Advanced Features

The ATF750LVC's advanced flexibility packs more usable gates into 24-pins than any other logic device. The ATF750LVCs start with the popular 22V10 architecture, and add several enhanced features:

- **Selectable D- and T-type Registers**

Each ATF750LVC flip-flop can be individually configured as either D- or T-type. Using the T-type configuration, JK and SR flip-flops are also easily created. These options allow more efficient product term usage.

- **Selectable Asynchronous Clocks**

Each of the ATF750LVC's flip-flops may be clocked by its own clock product term or directly from Pin 1 (SMD Lead 2). This removes the constraint that all registers must use the same clock. Buried state machines, counters and registers can all coexist in one device while running on separate clocks. Individual flip-flop clock source selection further allows mixing higher performance pin clocking and flexible product term clocking within one design.

- **A Full Bank of Ten More Registers**

The ATF750LVC provides two flip-flops per output logic cell for a total of 20. Each register has its own sum term, its own reset term and its own clock term.

- **Independent I/O Pin and Feedback Paths**

Each I/O pin on the ATF750LVC has a dedicated input path. Each of the 20 registers has its own feedback terms into the array as well. This feature, combined with individual product terms for each I/O's output enable, facilitates true bi-directional I/O design.

## Synchronous Preset and Asynchronous Reset

One synchronous preset line is provided for all 20 registers in the ATF750LVC. The appropriate input signals to cause the internal clocks to go to a high state must be received during a synchronous preset. Appropriate setup and hold times must be met, as shown in the switching waveform diagram.

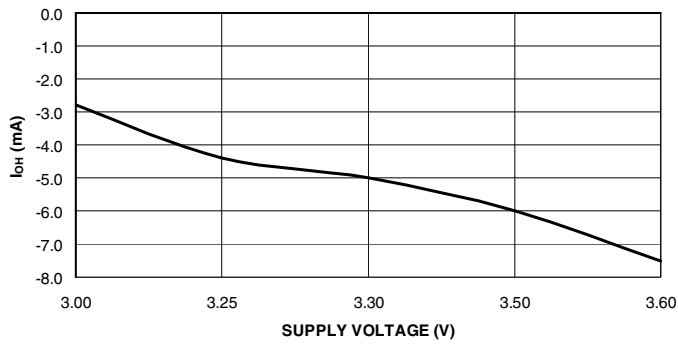
An individual asynchronous reset line is provided for each of the 20 flip-flops. Both master and slave halves of the flip-flops are reset when the input signals received force the internal resets high.

## Security Fuse Usage

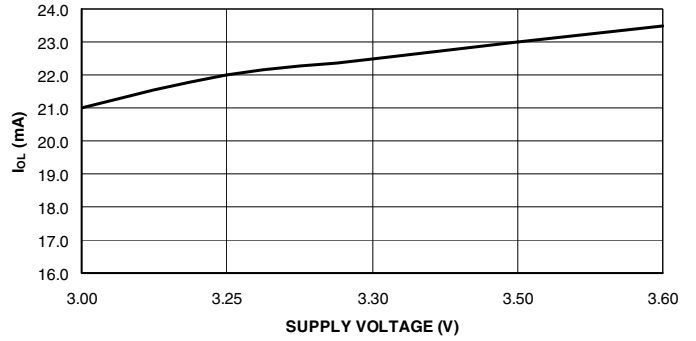
A single fuse is provided to prevent unauthorized copying of the ATF750LVC fuse patterns. Once the security fuse is programmed, all fuses will appear programmed during verify.

The security fuse should be programmed last, as its effect is immediate.

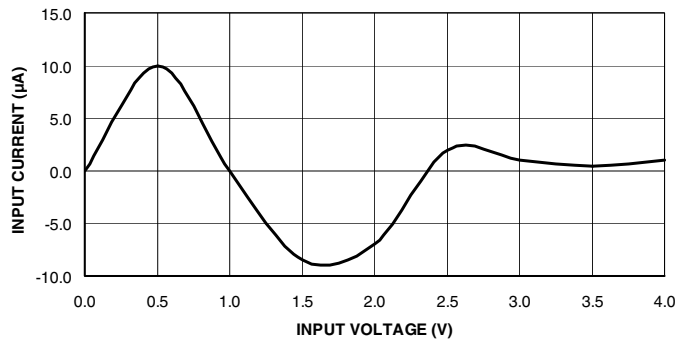
**OUTPUT SOURCE CURRENT  
VS SUPPLY VOLTAGE ( $V_{OH} = 2.4V$ ,  $T_A = 25^\circ C$ )**



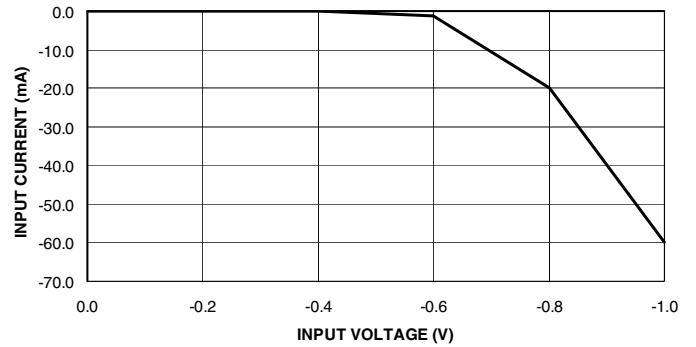
**OUTPUT SINK CURRENT  
VS SUPPLY VOLTAGE ( $V_{OL} = 0.5V$ ,  $T_A = 25^\circ C$ )**



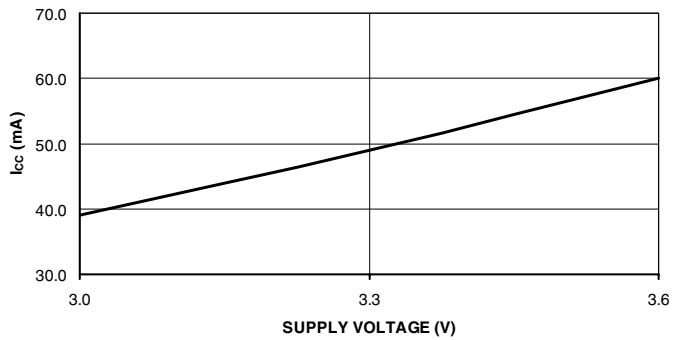
**INPUT CURRENT VS  
INPUT VOLTAGE ( $V_{CC} = 3.3V$ ,  $T_A = 25^\circ C$ )**



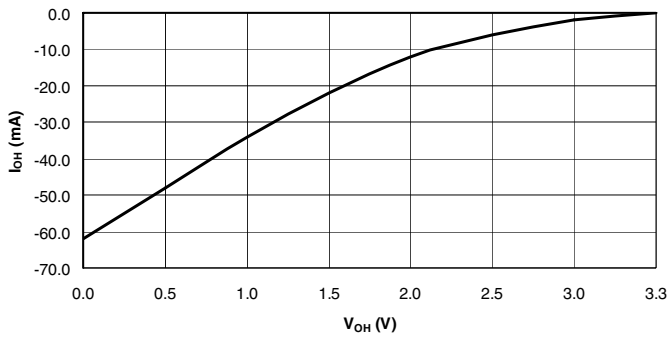
**INPUT CLAMP CURRENT VS  
INPUT VOLTAGE ( $V_{CC} = 3.3V$ ,  $T_A = 25^\circ C$ )**



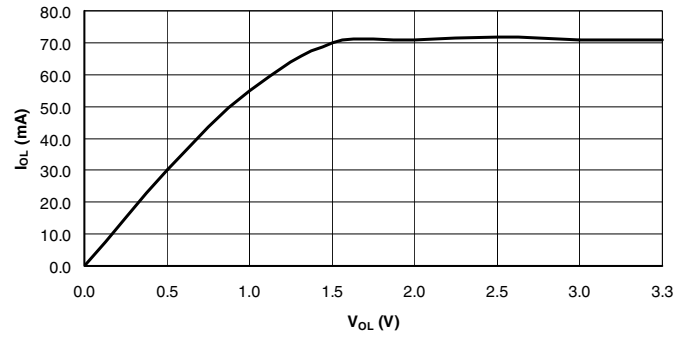
**SUPPLY CURRENT  
VS SUPPLY VOLTAGE ( $T_A = 25^\circ C$ )**



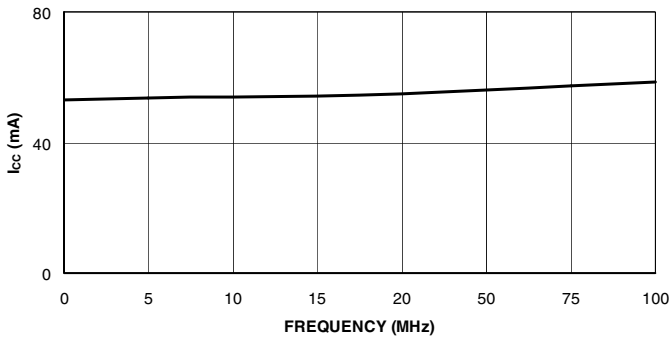
**OUTPUT SOURCE CURRENT VS  
OUTPUT VOLTAGE ( $V_{CC} = 3.3V$ ,  $T_A = 25^\circ C$ )**



**OUTPUT SOURCE SINK CURRENT VS  
OUTPUT VOLTAGE ( $V_{CC} = 3.3V$ ,  $T_A = 25^\circ C$ )**



**SUPPLY CURRENT VS INPUT FREQUENCY  
( $V_{CC} = 5.00V$ ,  $T_A = 25^\circ C$ )**





## ATF750LVC Ordering Information

$t_{PD}$ (ns)	$t_{COS}$ (ns)	Ext. $f_{MAXS}$ (MHz)	Ordering Code	Package	Operation Range
15	10	55	ATF750LVC-15JC	28J	Commercial (0°C to 70°C)
			ATF750LVC-15PC	24P3	
			ATF750LVC-15SC	24S	
			ATF750LVC-15XC	24X	
			ATF750LVC-15JI	28J	Industrial (-40°C to 85°C)
			ATF750LVC-15PI	24P3	
			ATF750LVC-15SI	24S	

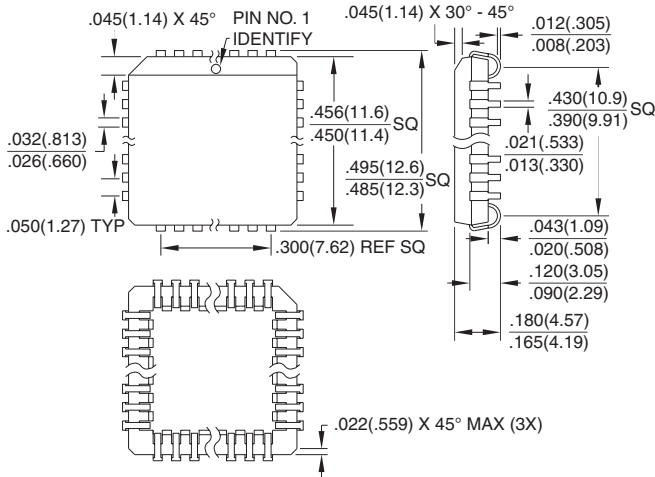
### Using “C” Product for Industrial

Because the  $V_{CC}$  conditions are the same for commercial and industrial for 3.3V products, and there is only 15°C difference at the high end of the temperature range, there is very little risk in using “C” devices for industrial applications. Just de-rate  $I_{CC}$  by 15%.

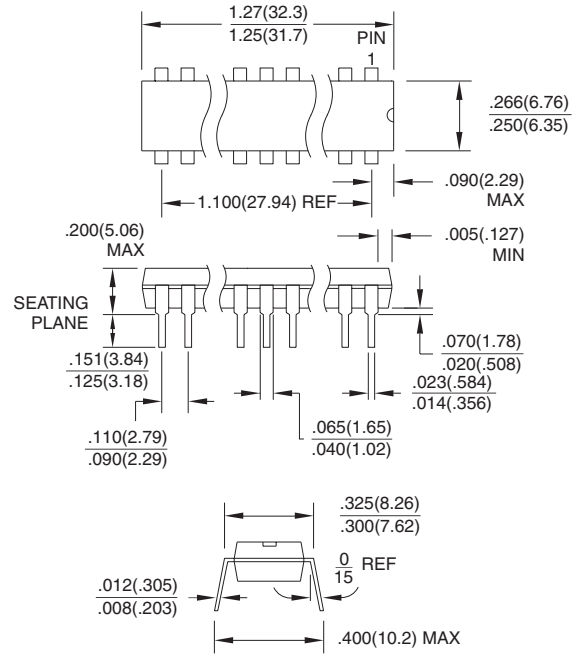
Package Type	
<b>28J</b>	28-lead, Plastic J-leaded Chip Carrier (PLCC)
<b>24P3</b>	24-lead, 0.300" Wide, Plastic Dual Inline Package (PDIP)
<b>24S</b>	24-lead, 0.300" Wide, Plastic Gull Wing Small Outline (SOIC)
<b>24X</b>	24-lead, 0.173" Wide, Thin Shrink Small Outline (TSSOP)

## Packaging Information

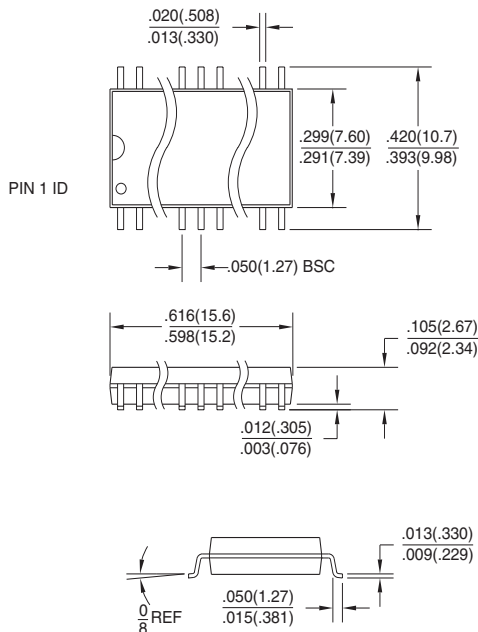
**28J**, 28-lead, Plastic J-leaded Chip Carrier (PLCC)  
 Dimensions in Inches and (Millimeters)  
 JEDEC STANDARD MS-018 AB



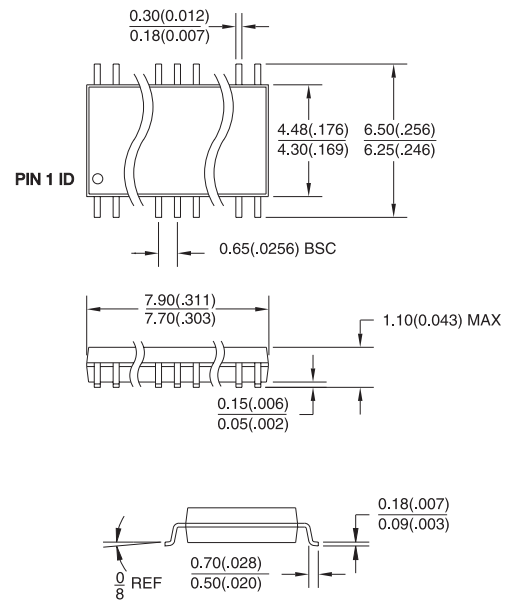
**24P3**, 24-lead, 0.300" Wide, Plastic Dual Inline Package (PDIP)  
 Dimensions in Inches and (Millimeters)  
 JEDEC STANDARD MS-001 AF



**24S**, 24-lead, 0.300" Wide, Plastic Gull Wing Small Outline (SOIC)  
 Dimensions in Inches and (Millimeters)



**24X**, 24-lead, 0.173" Wide, Thin Shrink Small Outline (TSSOP)  
 Dimensions in Millimeters and (Inches)\*



\*Controlling dimension: millimeters



## Atmel Headquarters

### *Corporate Headquarters*

2325 Orchard Parkway  
San Jose, CA 95131  
TEL (408) 441-0311  
FAX (408) 487-2600

### *Europe*

Atmel U.K., Ltd.  
Coliseum Business Centre  
Riverside Way  
Camberley, Surrey GU15 3YL  
England  
TEL (44) 1276-686-677  
FAX (44) 1276-686-697

### *Asia*

Atmel Asia, Ltd.  
Room 1219  
Chinachem Golden Plaza  
77 Mody Road Tsimhatsui  
East Kowloon  
Hong Kong  
TEL (852) 2721-9778  
FAX (852) 2722-1369

### *Japan*

Atmel Japan K.K.  
9F, Tonetsu Shinkawa Bldg.  
1-24-8 Shinkawa  
Chuo-ku, Tokyo 104-0033  
Japan  
TEL (81) 3-3523-3551  
FAX (81) 3-3523-7581

## Atmel Operations

### *Atmel Colorado Springs*

1150 E. Cheyenne Mtn. Blvd.  
Colorado Springs, CO 80906  
TEL (719) 576-3300  
FAX (719) 540-1759

### *Atmel Rousset*

Zone Industrielle  
13106 Rousset Cedex  
France  
TEL (33) 4-4253-6000  
FAX (33) 4-4253-6001

---

### *Fax-on-Demand*

North America:  
1-(800) 292-8635  
International:  
1-(408) 441-0732

### *e-mail*

literature@atmel.com

### *Web Site*

<http://www.atmel.com>

### *BBS*

1-(408) 436-4309

### © Atmel Corporation 2000.

Atmel Corporation makes no warranty for the use of its products, other than those expressly contained in the Company's standard warranty which is detailed in Atmel's Terms and Conditions located on the Company's web site. The Company assumes no responsibility for any errors which may appear in this document, reserves the right to change devices or specifications detailed herein at any time without notice, and does not make any commitment to update the information contained herein. No licenses to patents or other intellectual property of Atmel are granted by the Company in connection with the sale of Atmel products, expressly or by implication. Atmel's products are not authorized for use as critical components in life support devices or systems.

Marks bearing ® and/or ™ are registered trademarks and trademarks of Atmel Corporation.

Terms and product names in this document may be trademarks of others.



Printed on recycled paper.

1447B-02/00/xM