



C8251 Programmable Communication Interface

March 23, 1998

Product Specification



CAST, Inc.

24 White Birch Drive
Pomona, New York 10907 USA
Phone: +1 914-354-4945
Fax: +1 914-354-0325
E-Mail: info@cast-inc.com
URL: www.cast-inc.com

Features

- Based on the Intel 8251A device
- Pre-defined implementation for predictable timing
- Verified against a hardware model of the original device
- Synchronous and asynchronous operation
- Programmable data word length, parity and stop bits
- Parity, overrun and framing error checking instructions and counting loop interactions
- Divide-by 1,-16,-64 mode
- False start bit deletion
- Automatic break detection
- Internal and external synch character detection
- Peripheral modem control functions
- Supports up to 2 Mbps transmission rates

Applications

The C8251 core is used in communication and modem applications.

AllianceCORE™ Facts		
Core Specifics ¹		
Device Family	XC4010XL	
CLBs Used	249	
IOBs Used	31 ¹	
CLKIOBs Used	4	
System Clock f _{max}	23.7 MHz	
Device Features Used	Global Clocks	
Supported Devices/Resources Remaining ¹		
	I/O	CLBs
XC4010XL-09	129	151
Provided with Core		
Documentation	Core documentation	
Design File Formats	XNF Netlist VHDL Source RTL	
Constraint Files	.ncf	
Verification Tool	Testbench, vectors	
Schematic Symbols	Viewlogic	
Evaluation Model	None	
Reference designs & application notes	None	
Additional Items	None	
Design Tool Requirements		
Xilinx Core Tools	Alliance 1.3	
Entry/Verification Tool	1076-compliant VHDL simulator	
Support		
Support provided by CAST, Inc.		

Note:

1. Assuming all core signals are routed off-chip.

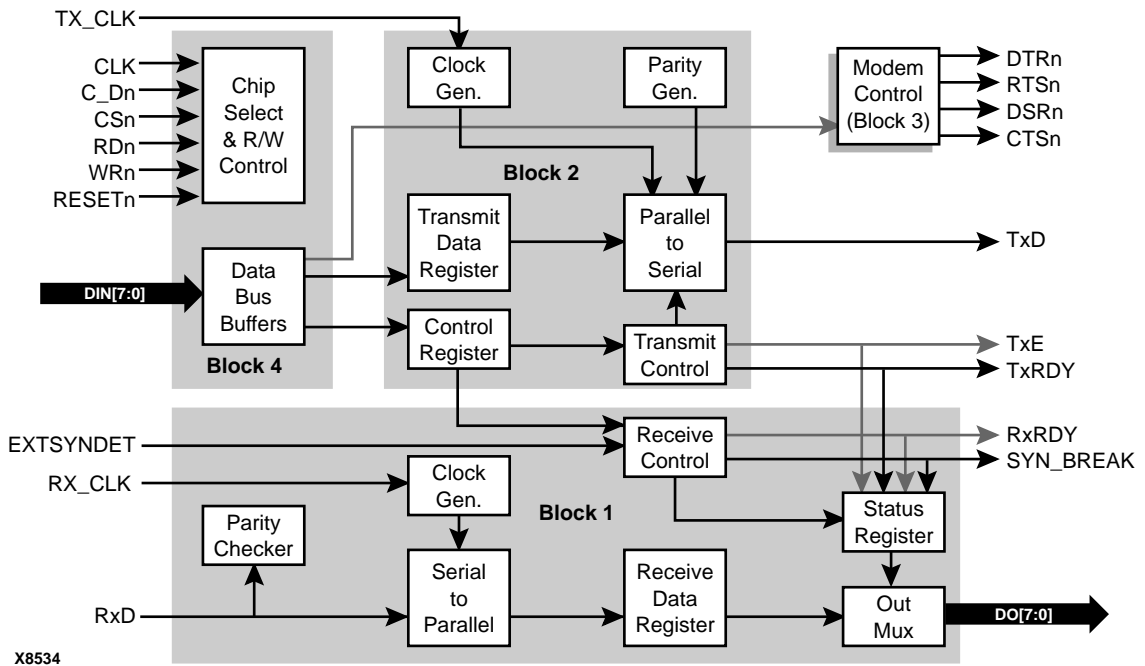


Figure 1: C8251 Programmable Communication Interface Block Diagram

General Description

The C8251 programmable communications interface (USART) core provides data formatting and control to a serial communication channel.

The core has select, read/write, interrupt and bus interface logic features that allow data transfers over an 8-bit bi-directional parallel data bus system. With proper formatting and error checking, the core can transmit and receive serial data, supporting both synchronous and asynchronous operation.

Functional Description

The C8251 core is partitioned into modules as shown in Figure 1 and described below.

Block 1

The Receiver Buffer and Control accepts serial data, converts it to parallel format, checks for parity, framing, overrun, and break, and sends the formatted data to the CPU.

Block 2

The Transmitter Buffer and Control logic accepts parallel data from the Data Bus Buffer, converts it to serial, inserts required characters or bits depending on the communica-

tion protocol, and outputs the formatted serial stream to the TxD output pin.

Modem Control Logic (Block 3)

This consists of a set of inputs and outputs that can be used to interface to almost any modem.

Block 4

The CPU interface shares common interface signals with the CPU: Data Bus, Read, Write, Chip selects, Reset and Master CLK.

Core Modifications

The C8251 core can be customized to include:

- 16 bit Internal Baud Rate Generator
- Remove either synchronous or asynchronous sections in order to reduce area

Please contact CAST directly for any required modifications.

Pinout

The pinout of the C8251 core has not been fixed to specific FPGA I/O, allowing flexibility with a users application. Sig-

nal names are shown in the block diagram in Figure 1, and in Table 1.

Core Assumptions

- Active-low reset input
- Does not support 1_ stop bit mode
- EXTSYNDET and SYN_BREAK signals are separate
- The bi-directional data bus has been split in two separate data buses: DIN and DO

Verification Methods

The C8251 USART core's functionality was verified by means of a proprietary hardware modeler. The same stimulus was applied to a hardware model which contained the original Intel 8251A chip, and the results compared with the core's simulation outputs.

Recommended Design Experience

The user must be familiar with HDL design methodology as well as instantiation of Xilinx netlists in a hierarchical design environment.

Ordering Information

The C8251 core is available from CAST, Inc. Please contact them directly for pricing and information. The core is licensed from Moxsys S.r.l.

Related Information

Intel Microcommunications Data Book

Intel order number: 231658
 ISBN: 1-55512-148-9
 Document number: 205222-002
 Contact:
 Intel Corporation
 P.O. Box 7641
 Mt. Prospect, IL 60056-7641
 Phone: 800-548-4725
 URL: www.intel.com

Xilinx Programmable Logic

For information on Xilinx programmable logic or development system software, contact your local Xilinx sales office, or:

Xilinx, Inc.
 2100 Logic Drive
 San Jose, CA 95124
 Phone: +1 408-559-7778
 Fax: +1 408-559-7114
 URL: www.xilinx.com

Table 1: Core Signal Pinout

Signal	Signal Direction	Description
I/O Signals		
C_Dn	Input	Control/Data Select
CSn	Input	Chip Select
RDn	Input	Read control
RESETn	Input	External reset
DIN[7:0]	Input	Data Input Bus
EXTSYNDET	Input	External synch detect
RxD	Input	Receive Data
DTRn	Output	Data Terminal Ready
RTSn	Output	Request-to-Send
DSRn	Input	Data Set Ready
CTSn	Input	Clear-to-Send
TxD	Output	Transmit Data
TxE	Output	Transmitter empty
TxRDY	Output	Transmit ready
RxRDY	Output	Receiver ready
SYN_BREAK	Output	Sync/Break detect
DO[7:0]	Output	Data Output Bus
Signals using CLKIOB Pins		
TX_CLK	Input	Transmit clock
CLK	Input	Master clock
WRn	Input	Write control
RX_CLK	Input	Receive clock

For general Xilinx literature, contact:

Phone: +1 800-231-3386 (inside the US)
 +1 408-879-5017 (outside the US)
 E-mail: literature@xilinx.com

For AllianceCORE™ specific information, contact:

Phone: +1 408-879-5381
 E-mail: alliancecore@xilinx.com
 URL: www.xilinx.com/products/logiccore/alliance/tblpart.htm