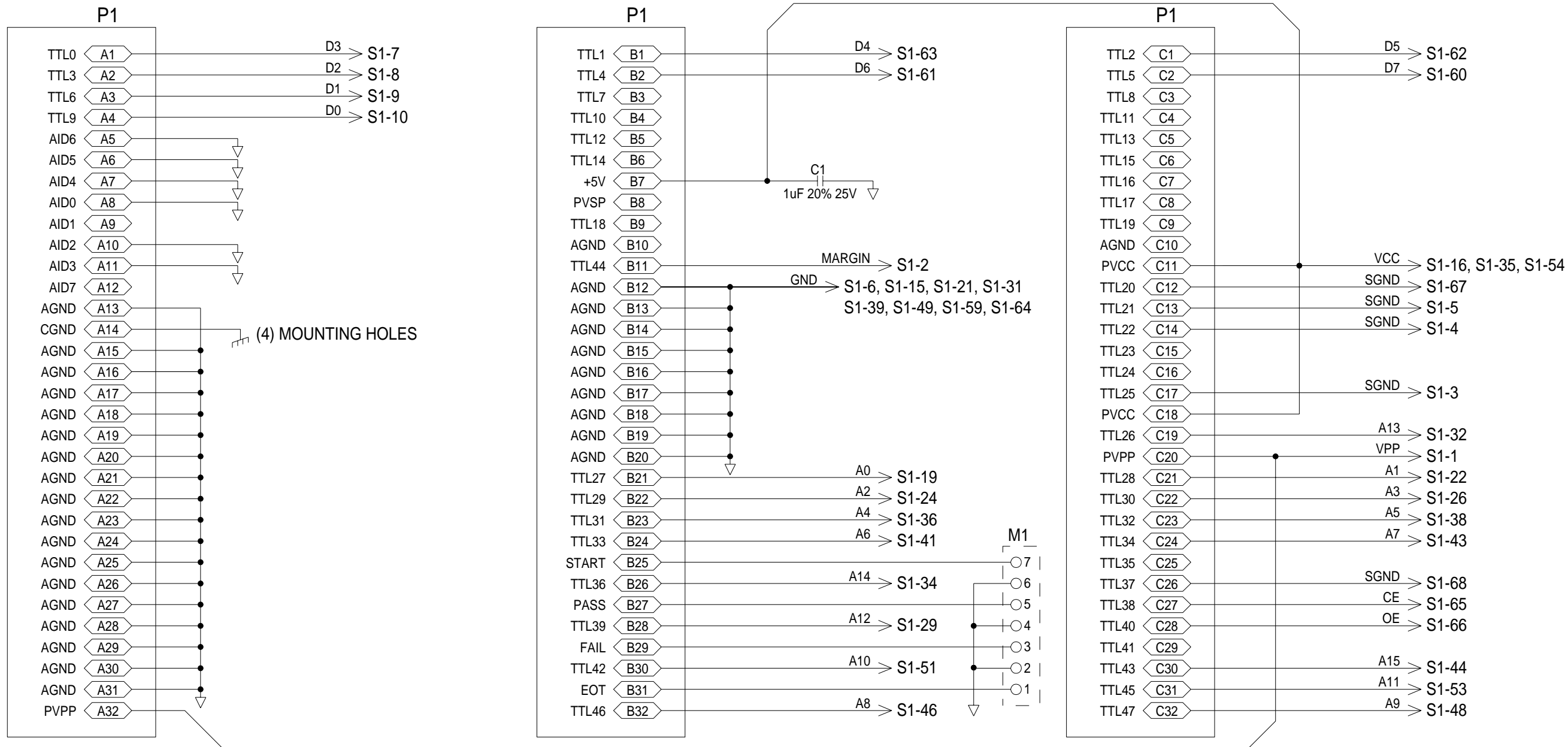


ZONE	REV	REVISION DESCRIPTION	DATE	DRAWN	CHECK	APPVD
	01	INITIAL RELEASE PER DCN #6875	5/23/95	EWR	CH	FE
		Further Revision history is available on Matrix.				



- NOTES:
- P1 is a 96-pin male connector, 3 rows (A,B,C) of 32 pins.
 - S1 is a 68 pin PLCC "live bug" Socket.
 - M1 are connection pads for an autohandler.
 - Board ID is 82 hex (1000 0010)
 - Signal names for XC7272A
 - Signal names for P1-B8 and P1-B31 are for ML7 only and were formerly PVSP.

		TITLE	
		SCHEMATIC, 0430853 HW-132-PC68 ADAPTER	
DRAWN BY EWR/esler		DATE 5/22/95	
CHECKED BY CH		DATE 5/23/95	
ENG APPROVAL EWR		DATE 5/23/95	
MFG APPROVAL FE		DATE 5/24/95	
FSCM 68994		PROJECT: HW130	
TOLERANCES		SIZE	DRAWING NUMBER
\triangleleft .X .XX .XXX <small>Unless otherwise specified, dimensions are in inches.</small>		B	0380435
		SCALE NONE	REV. 02
		SHEET 1 OF 1	