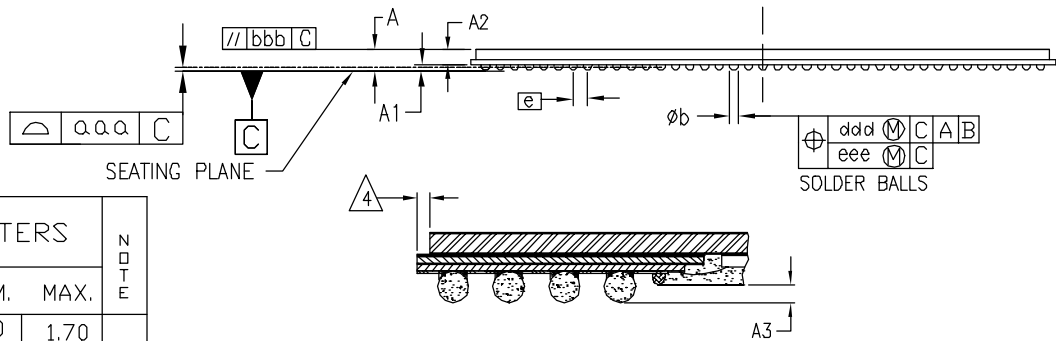
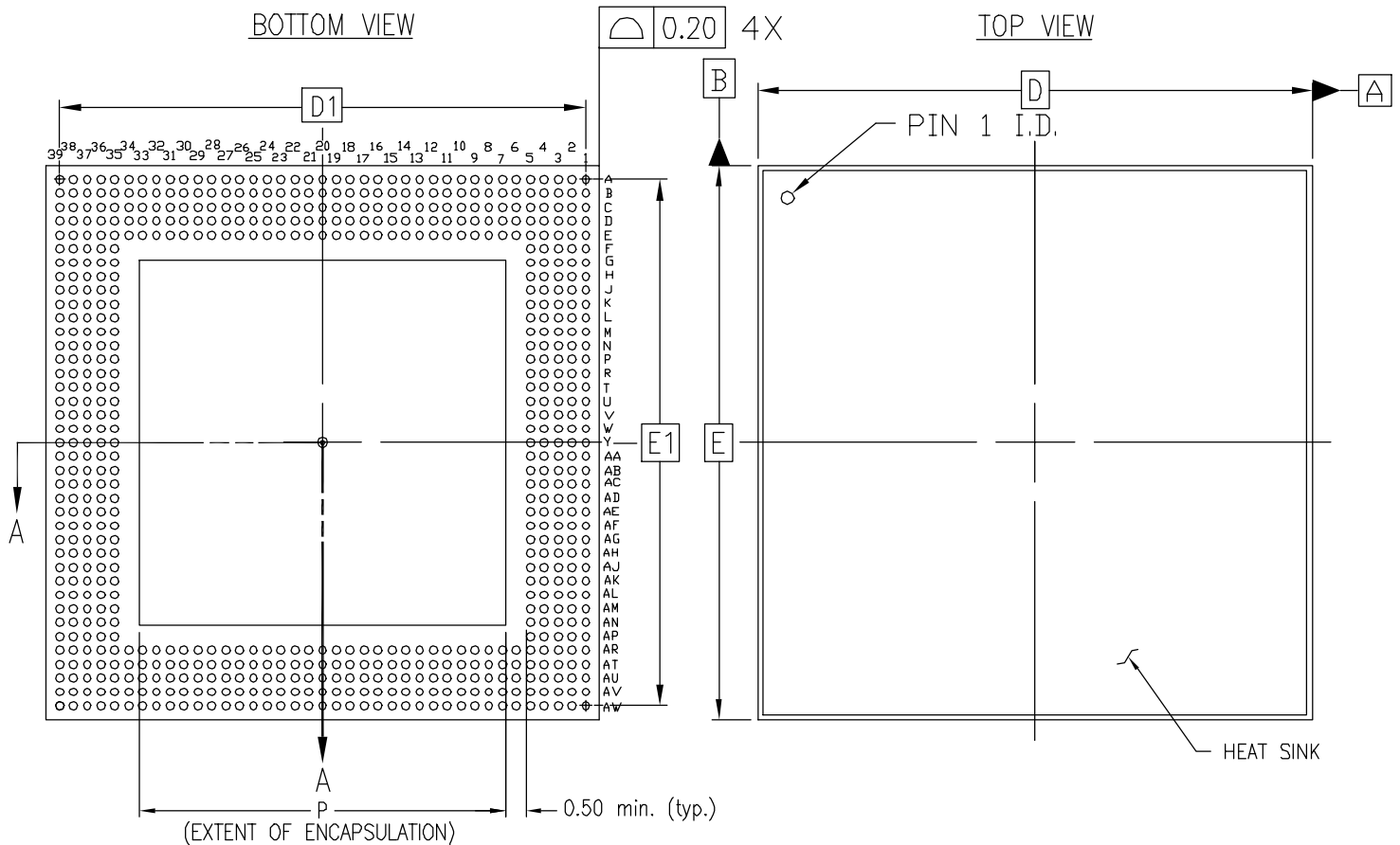


FG680



SYMBOL	MILLIMETERS			NOTE
	MIN.	NOM.	MAX.	
A	\approx	1.60	1.70	2
A ₁	0.50	0.60	0.70	
A ₂	\approx	\approx	1.00	
A ₃	0.20	\approx	\approx	
D/E	40.00 BASIC			
D ₁ /E ₁	38.00 REF			
e	1.00 BASIC			
øb	0.50	0.60	0.70	
aaa	\approx	\approx	0.20	
bbb	\approx	\approx	0.25	
ddd	\approx	\approx	0.25	
eee	\approx	\approx	0.10	
M	39			

NOTES:

1. ALL DIMENSIONS AND TOLERANCES CONFORM TO ASME Y14.5M-1994
 2. SYMBOL "M" IS THE PIN MATRIX SIZE.
 3. CONFORMS TO JEDEC MO-192-AAU-1 (DEPOPULATED)
- \triangle HEAT SINK PULLBACK - 0.375mm MAX.

CONFIDENTIAL

This document is the property of Xilinx Incorporated and contains information which is confidential and proprietary to Xilinx. No part of this document may be copied, reproduced or disclosed to third parties without the prior written consent of Xilinx Incorporated.



SIZE

A

DRAWING NUMBER

OBG0022

REV

06

SCALE NONE

SHEET 2 OF 2