



## CAST, Inc.

24 White Birch Drive  
 Pomona, New York 10907 USA  
 Phone: +1 914-354-4945  
 Fax: +1 914-354-0325  
 E-Mail: info@cast-inc.com  
 URL: www.cast-inc.com

## Features

- Eight vectored priority interrupts per core. Up to sixty-four vectored priority interrupts with cascading
- Programming for all 8259A modes and operational features:
  - MCS-80/85 and 8088/8086 processor modes
  - Fully nested mode and special fully nested mode
  - Special mask mode
  - Buffered mode
  - Pool command mode
  - Cascade mode with master or slave selection
  - Automatic end-of-interrupt mode
  - Specific and non-specific end-of-interrupt commands
  - Automatic Rotation
  - Specific Rotation
  - Edge and level triggered interrupt input modes
  - Reading of interrupt request register (IRR) and in-service register (ISR) through data bus
  - Writing and reading of interrupt mask register (IMR) through data bus
- Functionally based on the Intel 8259A and Harris 82C59A devices

AllianceCORE™ Facts	
<b>Core Specifics</b>	
See Table 1	
<b>Provided with Core</b>	
Documentation	Core documentation
Design File Formats	.ngo, EDIF Netlist, VHDL Source RTL available extra
Constraints File	C8259A.ucf
Verification	VHDL testbench, test vectors
Instantiation Templates	None
Reference designs & application notes	None
Additional Items	None
<b>Simulation Tool Used</b>	
1076 compliant VHDL simulator, Verilog simulator	
<b>Support</b>	
Support provided by CAST, Inc.	

## Applications

The C8259A core is used in real time, interrupt driven microcomputer designs.

**Table 1: Core Implementation Data**

Supported Family	Device Tested	CLB Slices <sup>2</sup>	Clock IOBs <sup>1</sup>	IOBs <sup>1</sup>	Performance (MHz)	Xilinx Tools	Special Features
Virtex	V50-6	215	2	25	49	M2.1i	None
Virtex-E	V50E-8	215	2	25	58	M2.1i	None
Spartan-II	2S50-6	215	2	25	47	M2.1i	None

Notes:

1. Assuming all core I/Os are routed off-chip.
2. Optimized for speed.

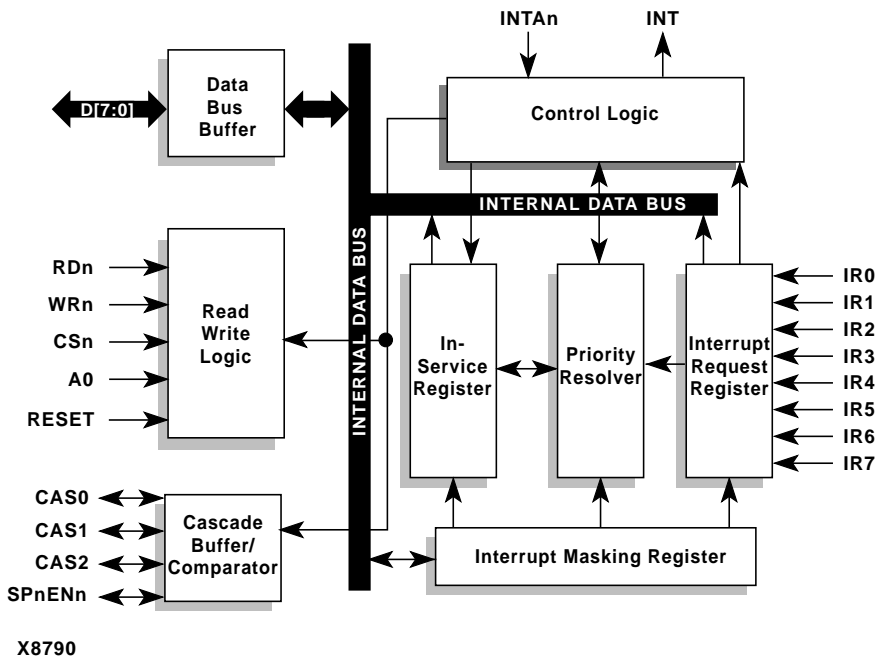


Figure 1: C8259A Programmable Interrupt Controller Block Diagram

## General Description

The C8259A Programmable Interrupt Controller core manages up to 8 vectored priority interrupts for a processor. Using multiple instantiations of the core and programming it to cascade mode allows for up to sixty-four vectored interrupts. More than sixty-four vectored interrupts can be accomplished by programming the core to Poll Command Mode.

## Functional Description

The C8259A core is partitioned into modules as shown in Figure 1 and described below.

### Data Bus Buffer

This 3-state, bi-directional 8-bit buffer is used to interface the C8259A core to the system Data Bus. Control words and status information are transferred through the Data Bus Buffer.

### Read / Write Logic

The function of this block is to accept output commands from the CPU. It contains the initialization Command Word (ICW) registers and Operation Command Word (OCW) registers which store the various control formats for device

operation. The Read/Write Logic block also allows the status of the C8259A core to be transferred onto the Data Bus.

### Cascade Buffer Comparator

This block stores and compares the IDs of all C8259A's used in the system. The associated three I/O pins (CAS0-2) are outputs when the C8259A is used as a master and are inputs when the C8259A is used as a slave. As a master, the C8259A core sends the ID of the interrupting slave device onto the CAS0-2 lines. The selected slave will send its preprogrammed subroutine address onto the Data Bus during the next one or two consecutive INTAn pulses.

### Control Logic

This block checks for INTAn pulses which cause the C8259A to release vectoring information onto the Data Bus. The format of this data depends on the system mode of the C8259A. This block also sets the interrupt output high whenever a valid interrupt request is asserted.

### Interrupt Request Register (IRR) and In-Service Register (ISR)

The interrupts at the IR input lines are handled by two registers in tandem, the Interrupt Request Register (IRR) and the In-Service Register (ISR). The IRR is used to store all

the interrupt levels which are requesting service. The ISR is used to store all the interrupt levels that are being serviced.

## Priority Resolver

This block determines the priorities of the bits set in the IRR. The highest priority is selected and strobed into the corresponding bit of the ISR during an INTAn pulse.

## Interrupt Masking Register (IMR)

The IMR stores the bits that control the interrupt lines to be masked. The IMR operates on the IRR. Masking of a higher priority input will not affect the interrupt request lines of lower priority.

## Core Modifications

The C8259A core can be customized to include a greater number of interrupts. Please contact CAST, Inc. directly for any required modifications.

## Pinout

The pinout of the C8259A core has not been fixed to specific FPGA I/O, allowing flexibility with a users application. Signal names are shown in the block diagram in Figure 1 and described in Table 2.

## Core Assumptions

### Power-up RESET Input

Due to an inadequate amount of I/O pins on the original Intel 8259A device, a reset capability was not included. The Intel 8259A and the Harris 82C59A reset when Initialize Command Word 1 (ICW1) is written to the device.

The C8259A model contains a RESET signal in its top-level entity. RESET will force the simulation or synthesized circuit into a known state, equivalent to when ICW1 is written.

Note that whenever ICW1 is written, the model resets conforming to the Intel and Harris specifications.

### Rotate in Automatic EOI Mode

In the Intel 8259A, when Rotate in Automatic EOI Mode is set, and a DEFAULT IR7 (spurious noise glitch on any of the IR inputs) occurs, the priority of pending interrupts will still rotate. This is not a serious problem since subsequent interrupts will in fact be serviced, but in a different order than originally intended.

In the C8259A model, however, this feature was not implemented. A DEFAULT IR7 will not cause a Rotation in the interrupt priority.

### Interrupt Acknowledge

During the first INTAn strobe of an Interrupt Acknowledge Cycle, the Intel 8259A sets the highest priority ISR bit using the leading edge of INTAn.

**Table 2: Core Signal Pinout**

Signal	Signal Direction	Description
D[7:0]	In/Out	Data Bus
RDn	Input	Read Control
WRn	Input	Write Control
CSn	Input	Chip Select
A0	Input	Address
RESET	Input	Reset
CAS[2:0]	In/Out	Cascade Line
SPnENn	In/Out	Slave Program/Enable Buffer
INTAn	Input	Interrupt Acknowledge
INT	Output	Interrupt (to processor)
IR[7:0]	Input	Interrupt Request

In the C8259A model, the highest priority ISR bit is set on the first INTAn's rising edge (at the end of the first INTAn cycle). Functionally, both the Intel 8259A and the C8259A models are identical: the model freezes all pending IRR bits with INTAn's falling edge. By actually setting the ISR at the end of the INTAn cycle, the model has the pulse width of INTAn to allow for the IRR bits to settle within the synthesized circuit.

## Verification Methods

The C8259A Interrupt Controller core's functionality was verified by means of a proprietary hardware modeler. The same stimulus was applied to a hardware model that contained the original Intel 8259A chip, and the results compared with the core's simulation outputs.

## Recommended Design Experience

The user must be familiar with HDL design methodology as well as instantiation of Xilinx netlists in a hierarchical design environment.

## Ordering Information

This product is available from CAST Inc. Please contact CAST Inc. for pricing and more information.

## Related Information

### Intel Microprocessor and Peripheral Handbook 1989

Volume I - Microprocessor  
ISBN: 1-55512-041-5

Contact:

Intel Corporation  
P.O. Box 7641  
Mt. Prospect, IL 60056-7641  
Phone: 800-548-4725  
URL: <http://www.intel.com>

### Xilinx Programmable Logic

For information on Xilinx programmable logic or development system software, contact your local Xilinx sales office, or:

Xilinx, Inc.  
2100 Logic Drive  
San Jose, CA 95124  
Phone: +1 408-559-7778  
Fax: +1 408-559-7114  
URL: [www.xilinx.com](http://www.xilinx.com)

For general Xilinx literature, contact:

Phone: +1 800-231-3386 (inside the US)  
+1 408-879-5017 (outside the US)  
E-mail: [literature@xilinx.com](mailto:literature@xilinx.com)

For AllianceCORE™ specific information, contact:

Phone: +1 408-879-5381  
E-mail: [alliancecore@xilinx.com](mailto:alliancecore@xilinx.com)  
URL: [www.xilinx.com/products/logiccore/alliance/tblpart.htm](http://www.xilinx.com/products/logiccore/alliance/tblpart.htm)